



COLOR SELECTABLE LED UNDER CABINET FIXTURE

WARNING, CAUTION, SAFETY AND INSTALLATION INSTRUCTIONS

WARNING

- Installation, service, and maintenance of luminaires should be performed by a qualified licensed electrician.
- Specifications and dimensions are subject to change without notice.
- Account for small parts and destroy packing material, as these may be hazardous to children.

CAUTION

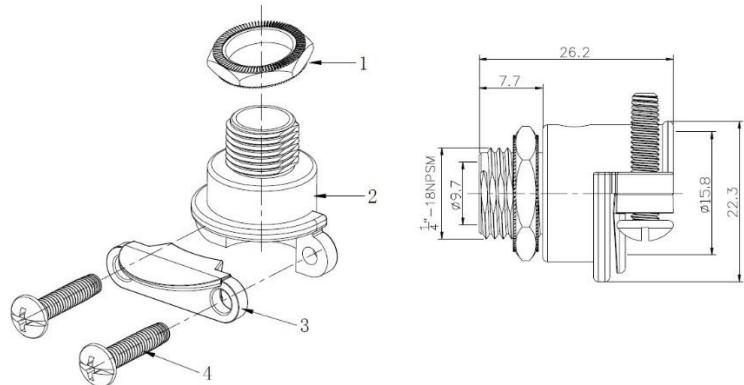
- Install this product in accordance with country, regional and local laws and regulations.
- Do not make or alter any open holes in the wiring enclosure or electrical components during installation.
- Verify the supply voltage is correct by comparing it with the luminaire label information.
- All wiring connections should be capped with UL approved wire connectors.
- Green ground screw provided is in the proper location. Do not relocate.
- Use minimum 90°C supply conductors.

NOTICE

- For indoor use only. Suitable for dry or damp locations

Provided Hardware

- 3 Wire Nuts
- 2 Screws
- 1 Romex Strain Relief



Installation Instructions

Preparing the Fixture for Direct Wire Installation

1. Carefully remove the diffuser by squeezing the front edge with forefingers while holding the back side with thumbs (Fig. 1).

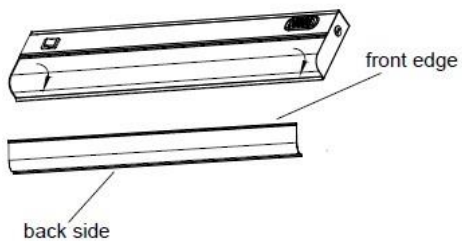


Fig.1

2. Open the wireway cover by gently pressing inwards to release the cover from the two tabs on the housing (Fig. 2).

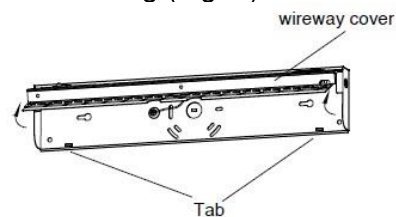


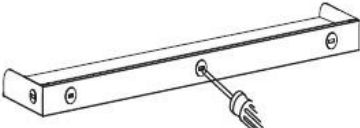
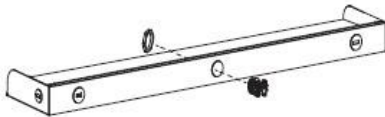
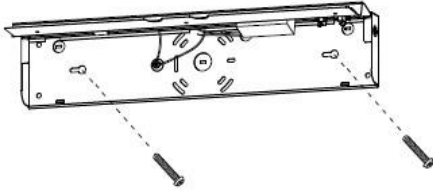
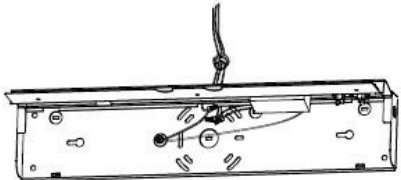
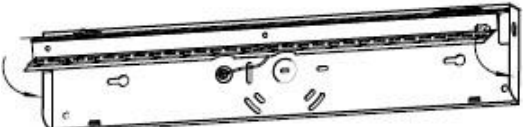

Fig.2



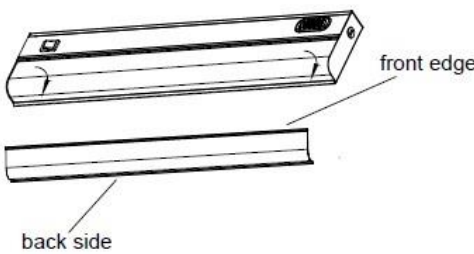
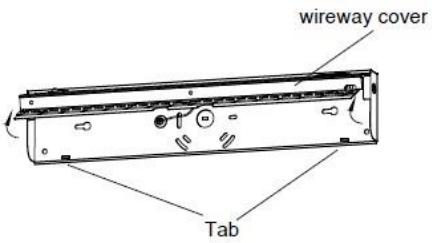
COLOR SELECTABLE LED UNDER CABINET FIXTURE

WARNING, CAUTION, SAFETY AND INSTALLATION INSTRUCTIONS

Direct Wire Installation

1. Remove the knock-put closest to the incoming power wires.	
2. Mount and secure the Romex strain relief (provided) to the fixture housing. Leave the strain relief screws loose.	
3. Secure the fixture to the desired location using the included screws.	
4. Make the wiring connections using wire nuts (provided) according to the wiring diagram (see Wiring Diagram section).	
5. Reattach the wireway cover and diffuser. Turn power back on at the main breaker box to confirm that the fixture is working properly.	
6. Select the desired color temperature using the sliding switch adjacent to the light source (see CCT Diagram section). The fixture can be on when adjusting the color temperature. CCT Options: 2700K, 3000K, 3500K, 4000K, 5000K	

Preparing the Fixture for Wall Mounting Installation

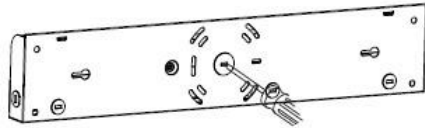
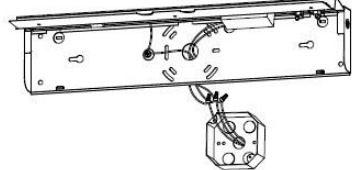
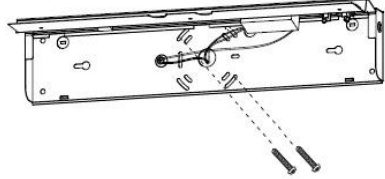

1. Carefully remove the diffuser by squeezing the front edge with forefingers while holding the back side with thumbs (Fig. 1).  Fig.1	2. Open the wireway cover by gently pressing inwards to release the cover from the two tabs on the housing (Fig. 2).  Fig.2
---	---



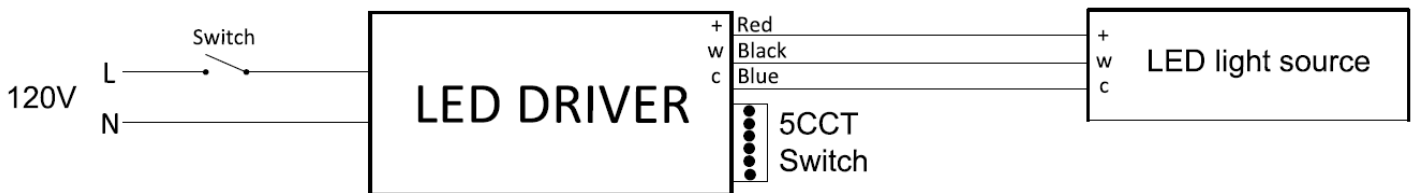
COLOR SELECTABLE LED UNDER CABINET FIXTURE

WARNING, CAUTION, SAFETY AND INSTALLATION INSTRUCTIONS

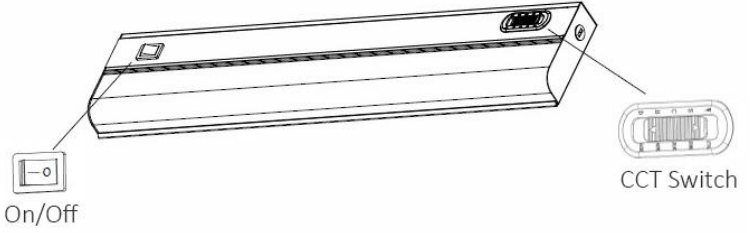
Wall Mounting Over Octagonal J-Box

<p>1. Remove the center knockout from the back of the luminaire.</p>	
<p>2. Make the wiring connections using wire nuts (provided) according to the wiring diagram (see Wiring Diagram section).</p>	
<p>3. Secure the fixture to the desired location using the included screws.</p>	
<p>4. Reattach the wireway cover and diffuser. Turn power back on at the main breaker box to confirm that the fixture is working properly.</p> <p>Select the desired color temperature using the sliding switch adjacent to the light source (see CCT Diagram section). The fixture can be on when adjusting the color temperature.</p> <p>CCT Options: 2700K, 3000K, 3500K, 4000K, 5000K</p>	

Wiring Diagram



CCT Diagram

<p>Default Setting: 5000K</p>	
-------------------------------	--



COLOR SELECTABLE LED UNDER CABINET FIXTURE

WARNING, CAUTION, SAFETY AND INSTALLATION INSTRUCTIONS

⚠ WARNING

- Before installing, servicing, or performing routine maintenance upon this equipment, follow these general precautions.
- To reduce the risk of death, personal injury, or property damage from fire, electric shock, falling parts, cuts/abrasions, and other hazards, read all warnings and instructions included with and on the fixture box and all fixture labels.
- Proper grounding is required to ensure safety.
- Power must be turned off at the breaker before installation or maintenance.
- This product must be installed in accordance with the applicable installation code by a person familiar with the construction and operation of the product and the hazards involved.
- Wear gloves and eye protection at all times while installing, servicing, or performing maintenance on the luminaire, and avoid direct eye exposure to the light source while it is on.
- To prevent wiring damage or abrasion, do not expose wiring to edges of sheet metal or other sharp objects.
- Do not install damaged product. Inspect luminaire for damage that may have occurred during transit. If damaged, contact the manufacturer immediately.
- These instructions do not purport to cover all details or variations in equipment nor to provide every possible contingency to meet in connection with installation, operation, or maintenance. Should further information be desired or should particular problems arise which are not covered sufficiently for the purchaser's or owner's purposes, contact the manufacturer.

⚠ ADVERTENCIA

- Antes de instalar, reparar o realizar el mantenimiento de rutina de este equipo, siga estas precauciones generales.
- Para reducir el riesgo de muerte, lesiones personales o daños a la propiedad por fuego, descarga eléctrica, caída de piezas, cortes / abrasiones y otros peligros, lea todas las advertencias y instrucciones incluidas con y en la caja del dispositivo y todas las etiquetas del dispositivo.
- Se requiere una conexión a tierra adecuada para garantizar la seguridad.
- Se debe apagar la energía en el disyuntor antes de la instalación o el mantenimiento.
- Este producto debe ser instalado de acuerdo con el código de instalación aplicable por una persona familiarizada con la construcción y operación del producto y los peligros involucrados.
- Utilice guantes y protección para los ojos en todo momento durante la instalación, el servicio o el mantenimiento de la luminaria, y evite la exposición directa de los ojos a la fuente de luz mientras está encendida.
- Para evitar daños o abrasiones en el cableado, no exponga el cableado a bordes de láminas de metal u otros objetos afilados.
- No instale un producto dañado. Inspeccione la luminaria en busca de daños que puedan haber ocurrido durante el tránsito. Si está dañado, comuníquese con el fabricante de inmediato.
- Estas instrucciones no pretenden cubrir todos los detalles o variaciones en el equipo ni proporcionar todas las posibles contingencias a cumplir en relación con la instalación, operación o mantenimiento. Si desea obtener más información o si surgen problemas particulares que no están suficientemente cubiertos para los propósitos del comprador o propietario, comuníquese con el fabricante.