

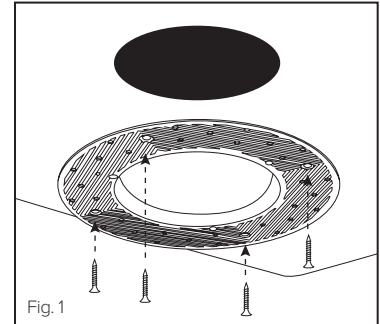
NOTE: ELCO Trimless items are best compatible with ELCO recessed housings and frames. For best results, installation should be performed by a professional installer.

CAUTION: Disconnect power to the fixture (wall switch or breaker) before starting below instructions.

Installation Instructions for 1" Oak Trimless Downlights:

Step 1

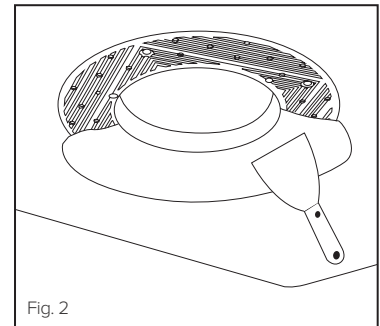
After the trimless housing/frame is installed, insert the proper spackle frame into the collar of the housing/frame. (Fig. 1)



Step 2

Secure the spackle frame onto the ceiling by using the drywall screws in the four holes located on the corners of the spackle frame (Fig. 1).

Note: Drywall screws must not be longer than 3/4".



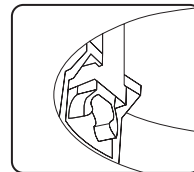
Step 3

Apply plaster over the spackle frame without letting any of the plaster into the hole opening of the housing. Use provided cardboard cutout to cover the hole opening while plastering if necessary (Fig. 2).

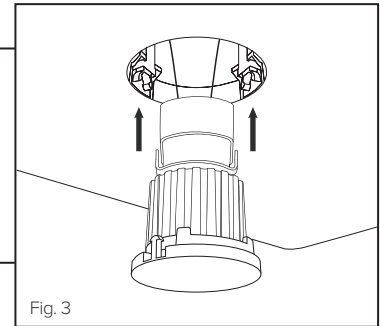
Disclaimer: Any plastering or ceiling work must be done by a professional drywall.

Step 4

Wire Trimless downlight according to provided installation instruction in product box.

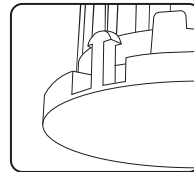


Spackle Frame Clips



Step 5

Align spackle frame black clipping connectors with clipping arrows on trimless downlight. Push-up downlight until click is heard and proceed to release downlight (Fig 3).



Downlight Clipping Arrow

Step 6

Reflector edge should be flush with face of spackle frame and ceiling.

