



Wattage and Color Selectable LED Area Light

DESCRIPTION

Outlasting and outperforming traditional metal halide fixtures, these wattage and color selectable LED area lights are ideal for a variety of outdoor applications.

FEATURES

- Up to 169 LPW ultra-high efficiency delivers superior performance over older HID fixtures
- Output varies depending on the wattage and color temperature selected, see Selectable Table for full breakdown
- Type III light distribution projects light outwards with a lateral width of 40 degrees
- Type V light distribution projects light in a circular pattern with the same intensity at all angles
- 0-10V dimming
- Mounting accessories sold separately, see Mounting Accessories sections for full list of compatible mounts
- Wattage and color temperature can be adjusted using the switched location on the driver of the fixture; see installation instructions for more information

LISTINGS

- IP65
- UL Listed for wet locations

PERFORMANCE

- CRI: >70, >80
- CCT: 3000K, 4000K, & 5000K
- LED L70 Life Hours: ≥100,000 hours
- Light Distribution: Type III, Type V
- Seoul Semiconductor LEDs

THERMAL

- -40°F to 113°F (-40°C to 45°C) operating temperature

ELECTRICAL

- THD: <20%
- Power Factor: >0.95
- Input Voltage: 120-277V
- Dimmable power supply (0-10V)
- Surge Protection: 6kV

INSTALLATION

- Designed to be mounted with Excel Series and select Grandview Series slip fitters, straight arms, or U brackets (all sold separately), see Mounting Accessories section for full list of compatible products. See installation instructions for more information on how to install these fixtures.

CONSTRUCTION

- Low profile die-cast aluminum housing
- Durable dark bronze powder coat finish
- Polycarbonate lens

Project name	Type
Catalog number	
Comments	Voltage
Approved by	Date



WARRANTY

- 5-year limited warranty; see pltsolutions.com for warranty details

APPLICATIONS

- Parking Lots
- Automotive Dealerships
- Roadways
- Campuses
- Area Security Lighting
- Airports

PERFORMANCE SUMMARY

Item #	Family	Watts*	CCT*	CRI	Dimming	Voltage	Replaces	Light Distribution	DLC #	DLC Level
PLT-13023	Excel Series	260/ 280/ 300	3000K/ 4000K/ 5000K	>70	0-10V	120-277V	MH1000	Type V	PLTBR8623X	5.1 Premium
PLT-13128	Excel Series	260/ 280/ 300	3000K/ 4000K/ 5000K	>80	0-10V	120-277V	MH1000	Type III	PLTBR8613	5.1 Premium
PLT-13134	Excel Series	260/ 280/ 300	3000K/ 4000K/ 5000K	>70	0-10V	120-277V	MH1000	Type V	PLTBR8623X	5.1 Premium

*See Selectable Table for full breakdown

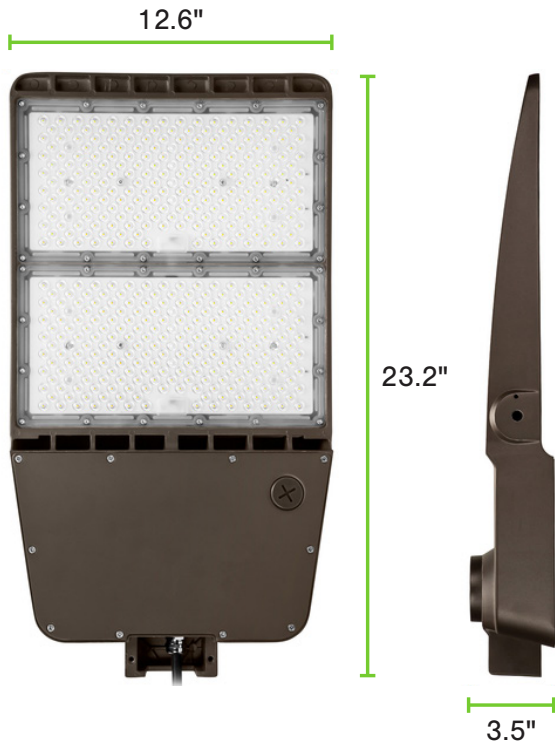
SELECTABLE TABLE

SKU	Wattage	CCT	Lumens	Efficacy
PLT-13023	260	3000K	39,810	153
		4000K	43,875	169
		5000K	42,254	162
	280	3000K	42,445	152
		4000K	46,935	168
		5000K	44,240	158
	300	3000K	43,060	144
		4000K	46,800	156
		5000K	45,975	153
PLT-13128	260	3000K	35,100	135
		4000K	40,300	155
		5000K	36,400	140
	280	3000K	36,400	130
		4000K	42,000	150
		5000K	37,800	135
	300	3000K	37,500	125
		4000K	43,500	145
		5000K	39,000	130
PLT-13134	260	3000K	35,471	136
		4000K	39,262	151
		5000K	38,463	148
	280	3000K	37,317	133
		4000K	41,306	148
		5000K	39,369	141
	300	3000K	39,563	132
		4000K	44,180	147
		5000K	43,171	144

MOUNTING ACCESSORIES (SOLD SEPARATLY)

Item #	Family	Description	Compatible Area Lights
PLT-13004		Adjustable U-bracket for 200W & 300W Fixtures	PLT-13023, PLT-13134
PLT-13006	Grandview Series	6" Mounting Arm for Square Poles	PLT-13023, PLT-13134, PLT-13128
PLT-13007	Grandview Series	6" Mounting Arm for Square or Round Poles	PLT-13023, PLT-13134, PLT-13128
PLT-13008	Grandview Series	Slipfitter for Tenons up to 2.38" in Diameter	PLT-13023, PLT-13134, PLT-13128

DIMENSIONS



DIMENSIONS:

Length: 23.2"

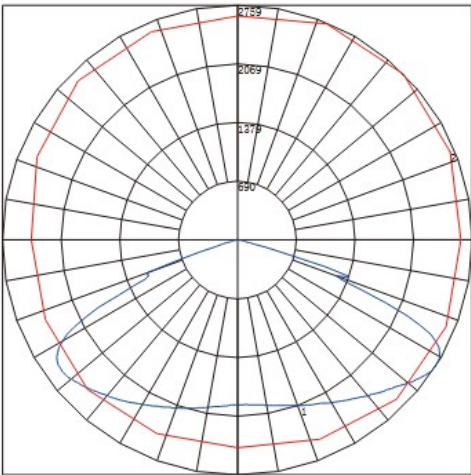
Height: 3.5"

Width: 12.6"

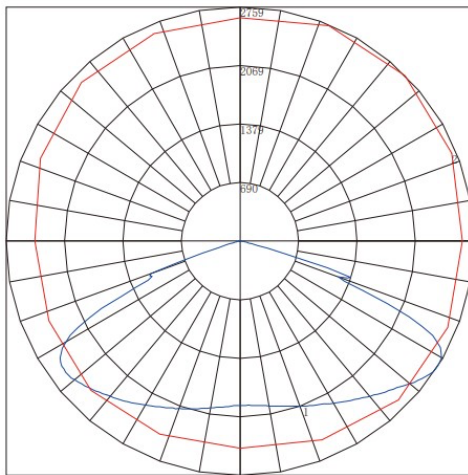
Weight: 13.56 lbs

PHOTOMETRICS

PLT-13023



PLT-13128



PLT-13134

