



Class 1 Div 2 Round LED Explosion-Proof Fixture

DESCRIPTION

Provide exceptional energy and maintenance savings by existing metal halide fixtures with these round LED hazardous location fixtures.

FEATURES

- Durable, explosion proof design ideal for areas with ignitable and combustible elements
- Impressive 151 LPW ultra-high efficiency delivers superior performance over HID fixtures
- Replaces up to a 400W metal halide explosion-proof fixture
- Completely sealed against water and dust ingress
- Wire guard included, provides additional protection to lens

LISTINGS

- Class 1 Div 2 for hazardous locations
- IP66 Rated
- UL Listed for wet locations
- DesignLights Consortium® 5.1 Standard - meets the requirements for the highest DLC qualification for efficacy and lumen maintenance

PERFORMANCE

- CRI: 80+
- CCT: 5000K
- LED L70 Life Hours: 50,000 hours
- Samsung SMD LEDs and Sosen driver

ELECTRICAL

- THD: ≤ 20%
- Power Factor: ≥ 0.9
- Input Voltage: 120-277V
- Surge Protection: 4kV (PLT-11957), 6kV (PLT-11958 & PLTS-12357)

THERMAL

- -40°F to 131°F (-40°C to 55°C) operating temperature

INSTALLATION

- Designed for mounting with pre-installed bracket or for pendant mounting to a 3/4 inch NPT threaded pipe; see installation instructions for more information

CONSTRUCTION

- Aluminum alloy housing with grey finish
- Clear, flat glass lens with wire guard

Project name	Type
Catalog number	
Comments	Voltage
Approved by	Date



WARRANTY

- 5-year limited warranty; see pltsolutions.com for warranty details

APPLICATIONS

- Warehouses
- Factories
- Workshops
- Petroleum Refineries
- Grain Processing Facilities
- Gas Stations
- Ship Ports

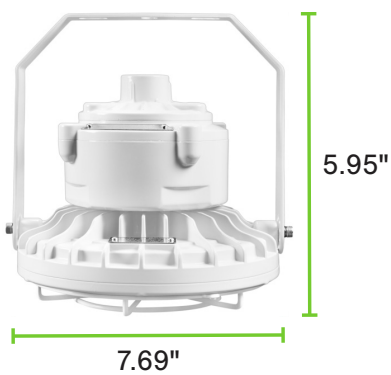
PERFORMANCE SUMMARY

Item #	Watts	Lumens	LPW	CRI	CCT	Lens	Dimming	Voltage	Replaces	T Rating	DLC #	DLC Rating
PLTS-11957	60	7,821	130	>80	5000K	Glass	No	120-277V	MH175	T4A	PLTSN61281312	5.1 Standard
PLTS-11958	150	20,307	135	>80	5000K	Glass	No	120-277V	MH400	N/A	PLTSN61481312	5.1 Standard
PLTS-12357	100	13,491	135	>80	5000K	Glass	No	120-277V	MH250	T5	PLTSN61581312	5.1 Standard

DIMENSIONS

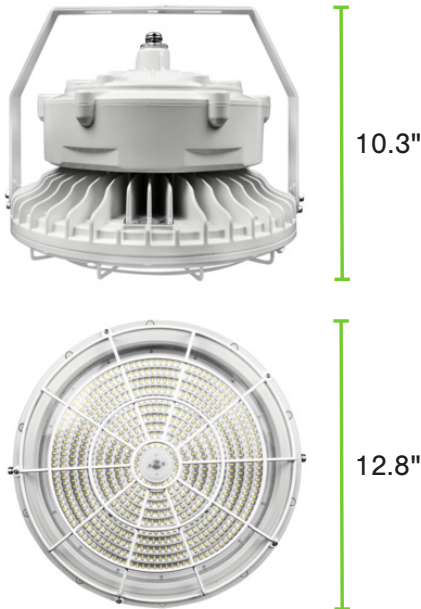
PLTS-11957

Height: 5.95"
 Height w/ bracket: 8.30"
 Diameter: 7.69"
 Weight: 8.9 lbs



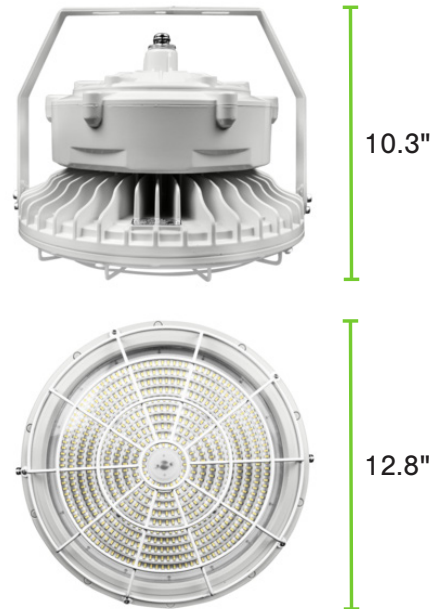
PLTS-11958

Height: 8.24"
 Height w/ bracket: 10.3"
 Diameter: 12.8"
 Weight: 25.2 lbs



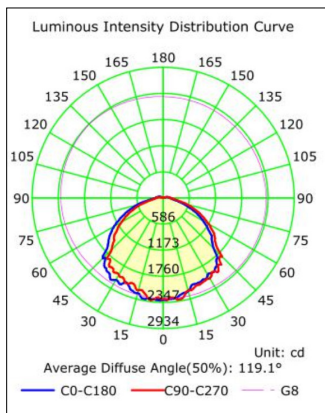
PLTS-12357

Height: 8.24"
 Height (with bracket): 10.3"
 Diameter: 12.8"
 Weight: 24.71 lbs

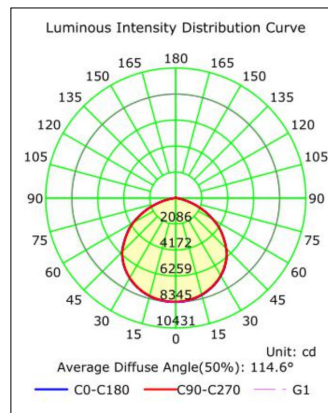


PHOTOMETRICS

PLTS-11957



PLTS-11958



PLTS-12357

