



Area Light Mounting Arm

DESCRIPTION

Mount area lights to poles using these bronze mounting arms.

FEATURES

- For round and square poles
- Comes with hardware to mount bracket to fixtures and poles
- Compatible with PLT Excel and Grandview Series LED area lights; see Compatible Fixtures section for full list

INSTALLATION

- Attaches to area lights so that they can be pole mounted (hardware included); see Installation Instruction PDF for more information

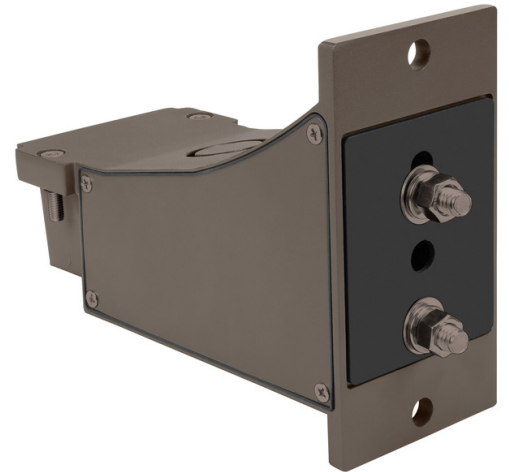
CONSTRUCTION

- Die cast aluminum with bronze finish

WARRANTY

- 3-year limited warranty; see pltsolutions.com for warranty details

Project name	Type
Catalog number	
Comments	Voltage
Approved by	Date



APPLICATIONS

- Warehouses
- Manufacturing Plants
- Distribution Centers
- Grocery Stores
- Indoor Recreation Facilities
- Cold Storage
- Big Bix Retail
- Service Repair Centers

PERFORMANCE SUMMARY

Item #	Description	Use With	Adjustable
PLT-13006	6 in. Aluminum Mounting Arm	Square Poles	Yes
PLT-13007	6 in. Aluminum Mounting Arm	Round or Square Poles	Yes

COMPATIBLE FIXTURES

SKU	Compatible Fixtures
PLT-13006	PLT-13017, PLT-13018, PLT-13019, PLT-13020, PLT-13021, PLT-13133, PLT-13022, PLT-13024, PLT-13025, PLT-13026, PLT-13027, PLT-13028, PLT-13029, PLT-13130, PLT-13031, PLT-13034, PLT-13035, PLT-13036, PLT-13037, PLT-13038, PLT-13039, PLT-13040, PLTS-11986, PLTS-11987, PLTS-11988, PLTS-11970, PLT-13023, PLT-13134, PLT-13128
PLT-13007	PLT-13017, PLT-13018, PLT-13019, PLT-13020, PLT-13021, PLT-13133, PLT-13022, PLT-13024, PLT-13025, PLT-13026, PLT-13027, PLT-13028, PLT-13029, PLT-13130, PLT-13031, PLT-13034, PLT-13035, PLT-13036, PLT-13037, PLT-13038, PLT-13039, PLT-13040, PLTS-11986, PLTS-11987, PLTS-11988, PLTS-11970, PLT-13023, PLT-13134, PLT-13128

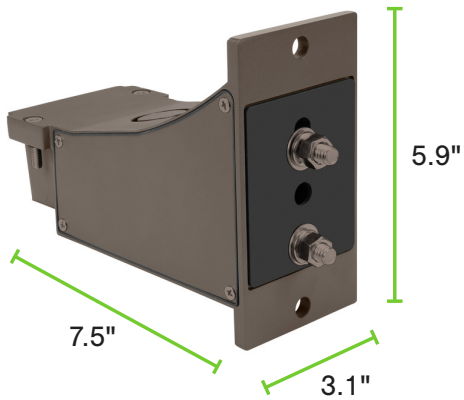
DIMENSIONS

PLT-13006

Length: 7.5"

Width: 3.1"

Height: 5.9"

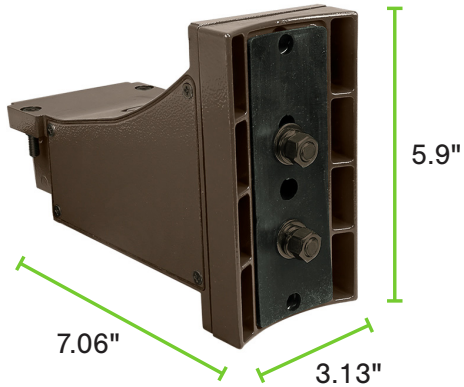


PLT-13007

Length: 7.06"

Width: 3.13"

Height: 5.9"



BOLT PATTERNS

