

 Please read all the instructions before attempting installation [120W | 150-300W | 450W]

- **WARNING: Please make sure the power is off before installing**
- **This device is not intended for use with emergency exits. Added weight of the device may cause instability of a free-standing portable luminaire. Use only with a portable table luminaire that is provided with a shade.**
- **Risk of fire or electric shock. Led retrofit kit installation requires knowledge of luminaries electrical systems. If not qualified, do not attempt installation. Contact a qualified electrician.**
- **Risk of fire or electric shock. Install this kit only in the luminaires that have the construction features and dimensions shown in the photographs and/or drawings and where the input rating of the retrofit kit does not exceed the input rating of the luminaire.**
- **To prevent wiring damage or abrasion, do not expose wiring to edges of sheet metal or other sharp objects. Do not make or alter any open holes in an enclosure of wiring or electrical components during kit installation.**
- The retrofit kit is accepted as a component of a luminaire where the suitability of the combination shall be determined by authorities having jurisdiction. Product must be installed by a qualified electrician in accordance with the applicable and appropriate electrical codes.

- The installation guide does not supersede local or national regulations for electrical installations. Suitable for damp locations. Added weight of the device may cause instability of a free standing portable luminaire. Use only with a portable table lamp that is provided with a shade. Use in portable table lamps in which the distance from the bottom of the base to the top of the lamp holder does not exceed three (3) times the minimum base diameter. This device is not intended for use with emergency exits" or "not for emergency lighting. Min. Lamp compartment dimensions (L x W x H).
- Do not use any electric generator to test this LED light.
- Please avoid using the LED fixture in environment where there is smoke, sulfur, and corrosive substances. But, if used in such environment, make sure the LED fixture is well protected by an enclosed lampshade whose dimension is no less than below size and whose material is either glass, semi-glass, or semi-metallic. Surface of the lampshade shall not have any covering which prevents heat dissipation.

 Installation Instructions [120W]

1. Turn off the power switch.
2. Screw off the CFL or MHL or HPS and so on, see Figure (1)(6).
3. Take out LED LCRN | Husk and screw on, see Figure (2)(3)(4)(5).  
Figure (2)(3)(4)(5):AC internal driver;  
[Note: Pls make sure to take off the ballast before installing LED LCRN | Husk, otherwise the ballast will produce the resonance of high voltage and makes LED LCRN | Husk breakdown.]
4. If security rope provided, please fix the rope on the lamp with hand, then fix the wire of other end on the shell, see Figure (3) (5).
5. Lamp CCT and dimming can be adjusted after removing the top plastic cover with a screwdriver: Figure (1) (8)
6. Turn on the power switch.( Finished!)

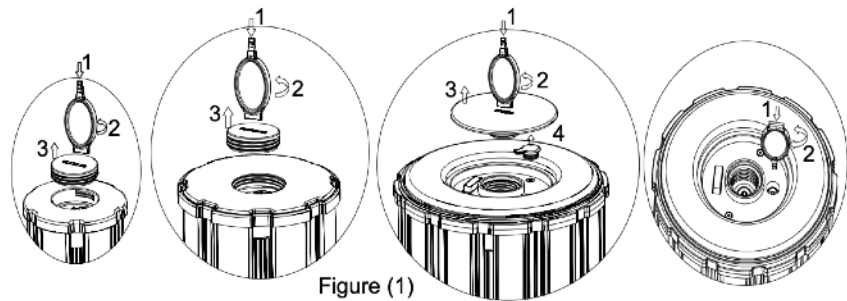


Figure (1)

- 
- 
- 
- 

Figure (2) Figure (3) Figure (4) Figure (5)

Buckle on the lamp

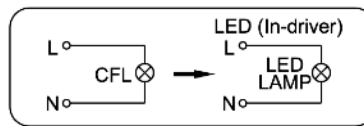
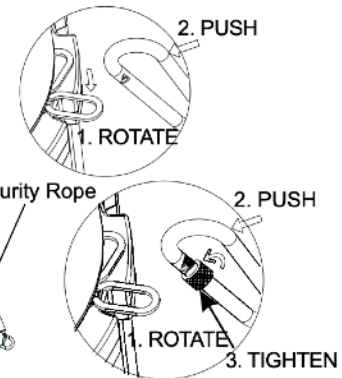


Figure (6)

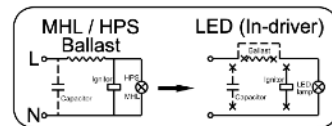
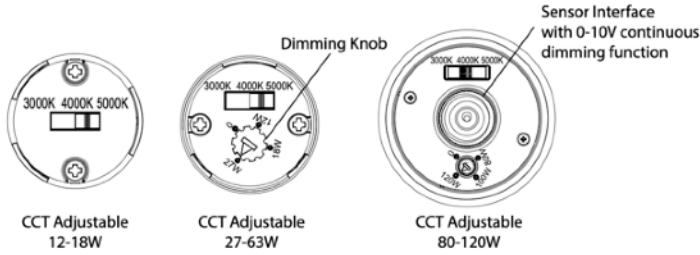


Figure (7)

CCTselect and Dimming Mode Diagram [120W]

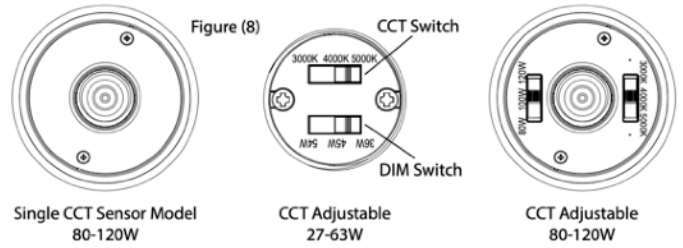
1. Continuous Dimming

120W



2. Segmented Dimming

120W

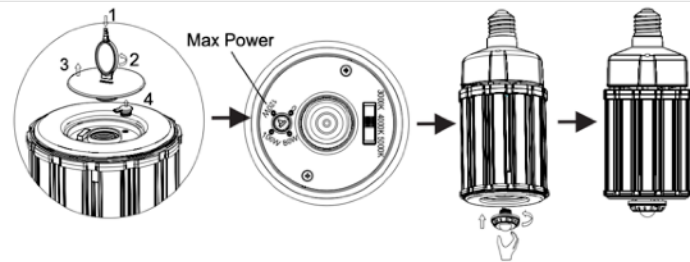


Installation of Motion or PIR Sensor [120W]

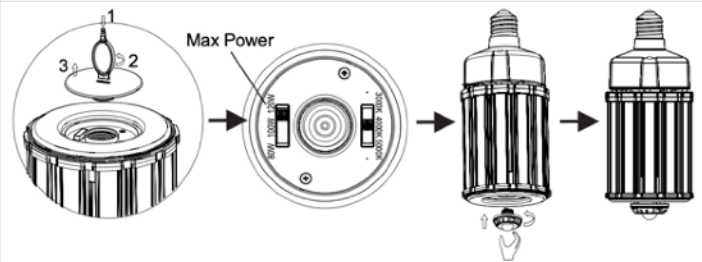
It could be easily installed by using a straight screwdriver. Use a flat-blade screwdriver to unscrew the plug and remove the plug. And then, adjust the lamp power to the maximum (otherwise the sensor will act abnormally). install motion sensor or PIR sensor and tighten it.

**Note:** the motion sensor has no dialing code, and a remote control is needed for adjustment. Please refer to the instruction for remote control adjustment.

1. Continuous Dimming

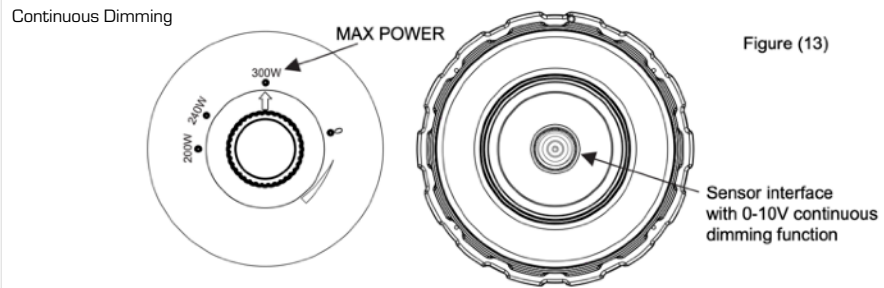
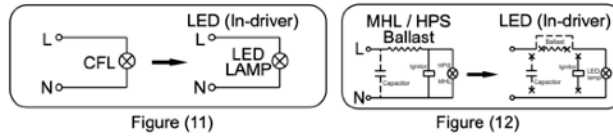
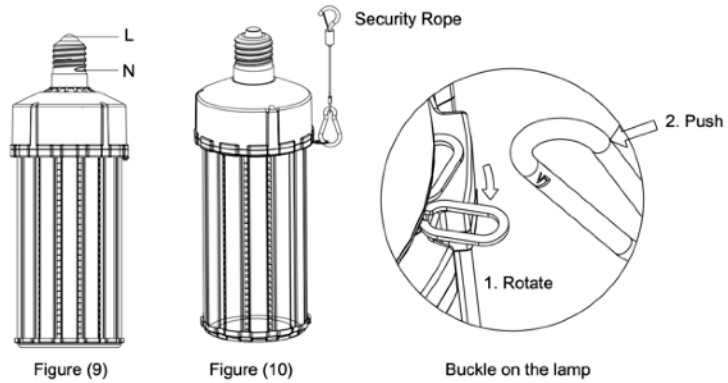


2. Segmented Dimming



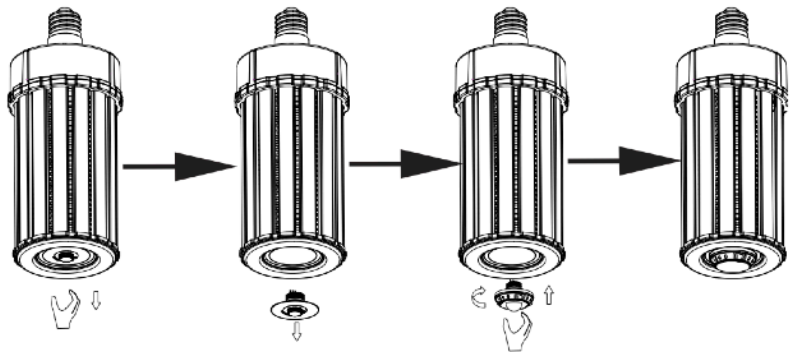
Installation Instructions [150-300W]

1. Turn off the power switch.
2. Screw off the CFL or MHL or HPS and so on, see Figure (11)(12).
3. Take out LED LCRN | Husk and screw on, see Figure (9). - If you want to install a sensor, please see below for detailed installation instructions. (NOTE: Please make sure to take off the ballast before installing LED lamp (see Figure 12), otherwise, the ballast will produce high-voltage resonance and break down the LED lamp.)
4. If security rope is provided, please fix the rope on the lamp by hand then fix the other end of the rope on the shell. See Figure (10).
5. Lamp dimming can be adjusted. See Figure (13)
6. Turn on the power switch.( Finished!)



Installation of motion microwave sensor or motion PIR sensor [150-300W]

Use a flat-blade screwdriver to unscrew and remove the plug. Then, install the motion microwave sensor or motion PIR sensor and tighten.  
 NOTE: The motion microwave sensor has no dialing code and a remote control is needed for adjustments. Please refer to the instructions for remote control adjustment.



Installation instructions (450W)

1. Turn off the power switch.
2. Screw off the CFL or MHL or HPS and so on, see Figure (14).
3. Take out LED LCRN | Husk and screw on, see Figure (14)(15). AC internal driver; (Note: please make sure to turn off ballast before installing LED Corn Light, otherwise the ballast will produce the resonance of high-voltage and makes LED Corn Light break down.)
4. If security rope is provided, please fix the rope on the lamp by hand then fix the other end of the rope on the shell. See Figure (15).
5. Lamp dimming can be adjusted. See Figure (16)
6. Turn on the power switch.( Finished!)

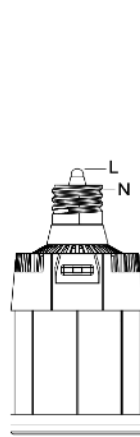


Figure (14)

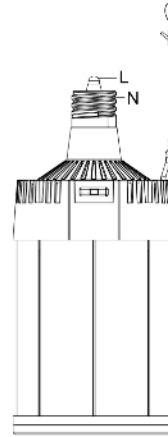
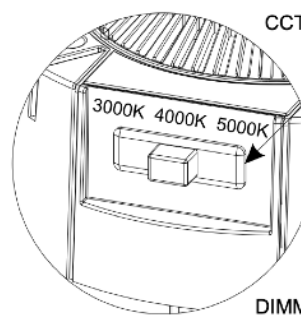
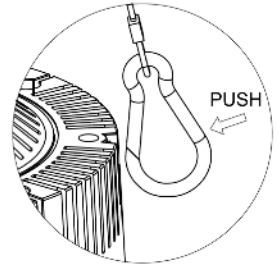


Figure (15)



DIMMING SWITCH

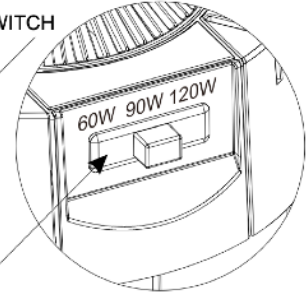


Figure (16)

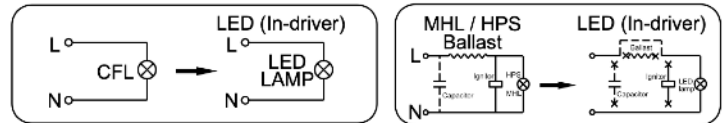


Figure (17)