



FHSCP-UNV-12W-L-SD



RoHS COMPLIANT



Emergency LED Driver

- Universal Voltage: 120-277V~
- Output Voltage Range: 12-55V
- Output Current: 0.2-1A
- Output Wattage: 12W
- Test Switch: Bi-Color Indicator Light
- IP20
- Suitable for use in dry and damp locations

General Specifications

Input Voltage / Frequency	120-277V~ , 50/60Hz
Input Current	0.12A
Input Power	6.5W
Standby Power	0.85W
Input Power Pass-Through Rating (White/Black Lead)	2A Max
Current Rated	1A Max
Output Voltage Range	12-55V
Output Power	12W
Output Class	LED Class2
Number of Output Channels	1 Channel
Indicator Light	Bi Color
Test Switch Remote Mounting Distance	65.6' (20m) Max.
Battery ON/OFF	Wire + Connector
Input Surge Protection	Line-Neutral 1kV, Line & Neutral-Ground 2kV
Emergency Mode Protections	Battery Over Voltage Protection Battery Under Voltage Protection Battery Hot Plug at Normal Mode Protection Battery Hot Plug at Emergency Mode Protection Output Open Protection Output Short Protection
RFI/EMI	FCC Part 15 ClassA
Ambient Operating Temperature Range	0°C To 55 °C(32 °F To 131 °F)
Sound Rating	A
Battery Type	Ternary lithium battery
Battery Voltage	10.8V
Battery Capacity	3350mAh
Battery Charge Current	335mA ±8%
Battery Recharge Time	24 Hours
Battery Discharge Time	Min 90 Minutes
IP Rating	IP20
Service Life	50,000 hours
Warranty	5 years
Safety Standards	UL 924/UL 1310/CSA C22.2 No.141



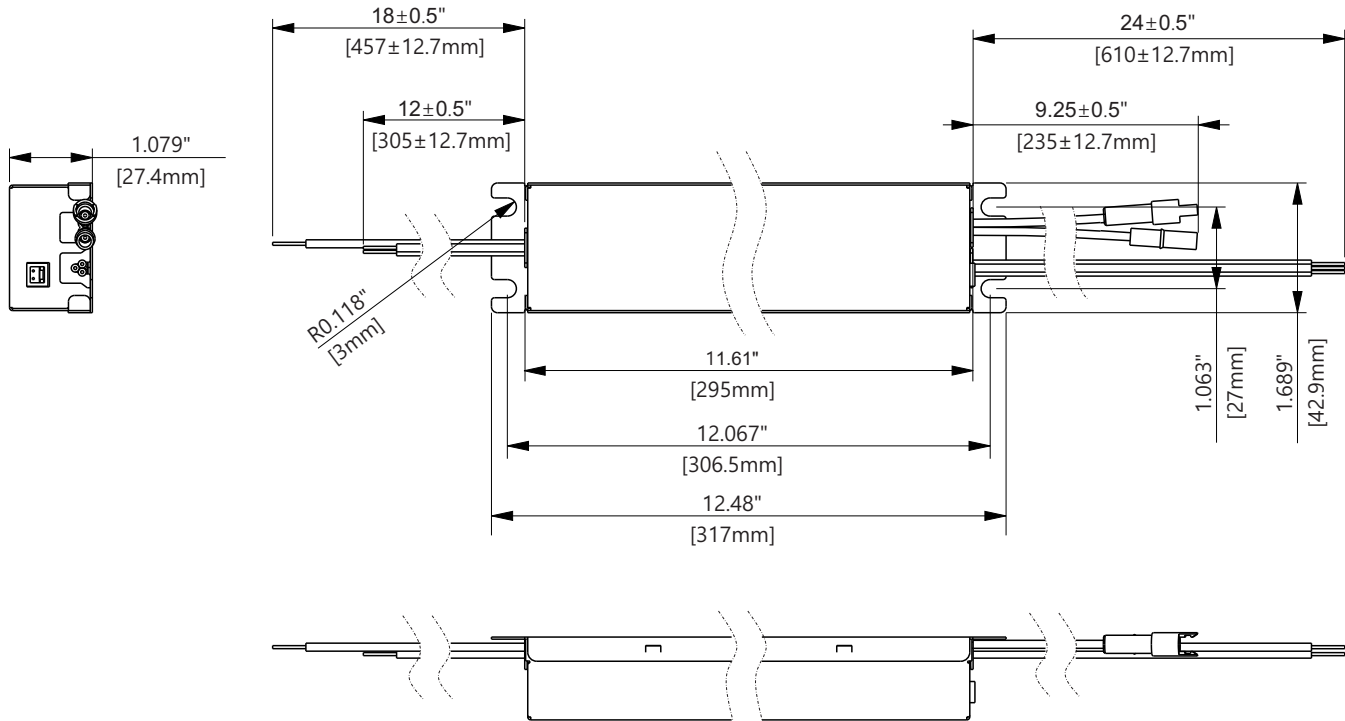
FHSCP-UNV-12W-L-SD



RoHS
COMPLIANT



Mechanical Data



Overall Dimensions	
Length	12.48" (317mm)
Width	1.689" (42.9mm)
Height	1.079" (27.4mm)
Mounting	12.067" (306.5mm)



FHSCP-UNV-12W-L-SD

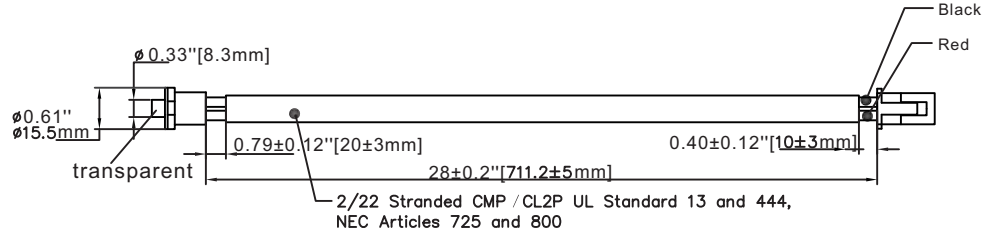


RoHS COMPLIANT



Accessories

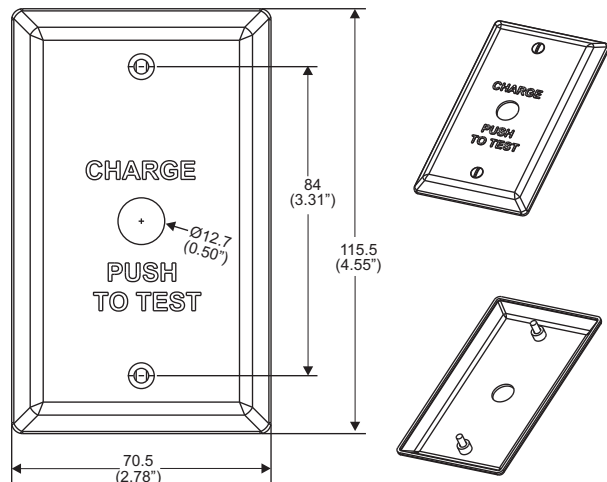
Test switch wire



Wall Plate: FHSWLPWH



Wall plate and screw color:
white with black lettering



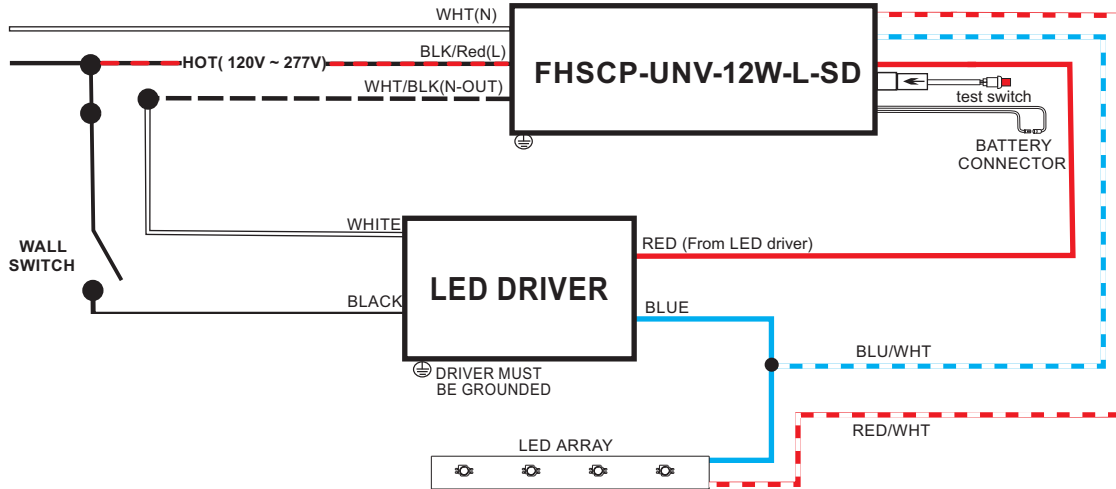
1. "Charge push to Test" plate
2. (2) 6-32 x 1/2" LG mounting screws



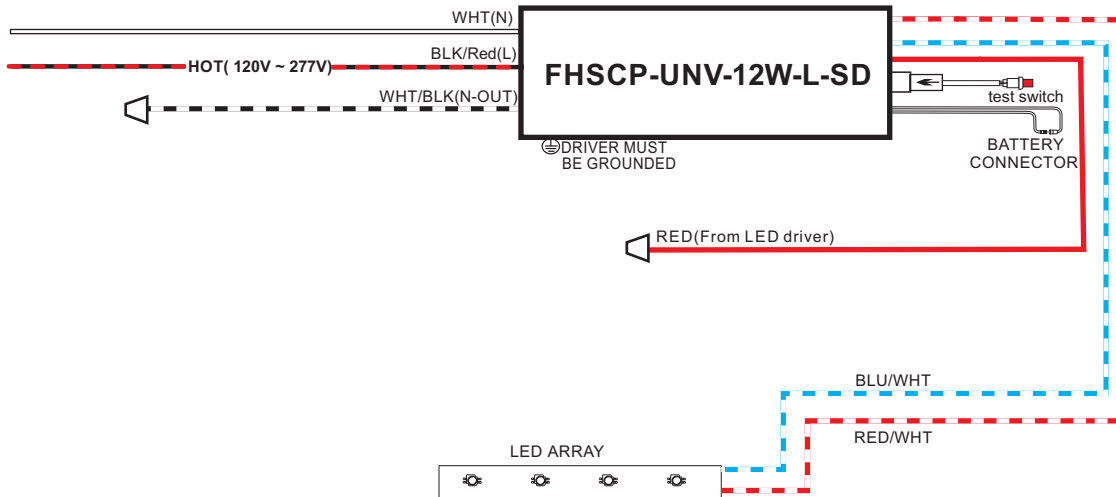
FHSCP-UNV-12W-L-SD



Wiring Diagram



Wiring Diagram (Emergency Only)





FHSCP-UNV-12W-L-SD



RoHS
COMPLIANT



Test Switch Indicator Status:

LED Indicators Status	EM Driver Status/Mode
● Solid Green	System OK/AC OK.
● Flashing (0.1s on/3s off)	Normal working in EM mode. (Including Self-test/self-diagnostic)
● Flashing (1s on/1s off)	Self-diagnose process ongoing.
● Flashing (2s on/0.5s off)	Self-diagnose enabled
● Flashing (0.5s on/2s off)	Self-diagnose disabled
● Flashing (4s on/1s off)	Battery PACK not found.(Including Self-test/self-diagnostic)
● Flashing (1s on/1s off)	Battery PACK fault. (Including Self-test/self-diagnostic)
● Solid Red	Over voltage protection. (Including Self-test/self-diagnostic)
● Solid Red	Over current protection. (Including Self-test/self-diagnostic)
● Flashing (1s on/7s off)	Over temperature protection. (Including Self-test/self-diagnostic)
● Flashing (0.1s on/3s off)	Self-diagnose process current fault or Battery voltage <87.5%.

Test Switch Operations:

EM Test: Press and hold test button (1s) to enter EM mode for testing in normal AC powered.
Long press (10s) exit emergency mode.

Instructions for self-diagnostics key settings:

1. Set Self-Diagnostic Enable/Disable: Quickly press the test press once, then release and hold the test button for two seconds. Flashing 2s ON/0.5s OFF three times in a row means "Enabled", and flashing 0.5s ON/2s OFF three times in a row means "Disabled".
2. Query Self-Diagnostic Status: Quickly click twice within 2 seconds, the indicator flashes, 2s ON/0.5s OFF flashes three times in a row to indicate that it is "enabled", and 0.5s ON/2s OFF flashes three times in a row to indicate that it is disabled.

How to Enable and Disable Self-Diagnostic Status:

Press and hold the test button for one second, then release, and press and hold the test button for 2 seconds.



FHSCP-UNV-12W-L-SD



Important Safety Instructions

When using electrical equipment and this lighting device basic safety precaution should be followed at all times including but not limited to the following:

PLEASE READ CAREFULLY AND FOLLOW ALL INSTRUCTIONS FOR YOUR OWN SAFETY

Important: An un-switched AC power source of 120VAC to 277VAC is required.

Important: Double insulation used between the supply and battery circuit.

Important: Intermittent re-charging circuit.

Important: The recharging device remains safe after abnormal operating condition.

CAUTION: Do not let power supply cords touch hot surfaces.

CAUTION: Do not mount near gas or electric heaters.

CAUTION: Do not use outdoors.

CAUTION: This equipment has not been investigated for use in an air-handling fixture, it is not suitable in a heated air outlet.

CAUTION: Sealed unit. Battery not replaceable. Replace entire unit when necessary.

Do not use this emergency driver with accessory equipment other than recommended by manufacturer; failure to follow this may cause an unsafe condition. Servicing should only be performed by qualified service personnel.

De-energize before opening.

Do not use this emergency driver for other than intended use.

Equipment should be mounted in locations and at heights where it will not readily be subjected to tampering by unauthorized personnel.

Use with grounded, UL Listed, dry or damp location rated fixtures.

Important: Indicator (LED light) illuminated indicates battery in charge mode when AC power is applied.

CAUTION: Device has to be checked and re-activated to keep emergency function after installation.

It is recommended and required by applicable code to test emergency function to ensure proper operation of the system; push the test switch for sixty (60) seconds every 30 days to ensure the emergency driver is functioning as by illuminating the LED light source. Conduct a ninety minute (90) discharge test one time (1) per year; LED light source should be illuminated for a minimum of ninety minutes (90).

ASSEMBLY and FIELD INSTALLATION WIRING: WARNING: AC power must be off before proceeding with assembly or installation of emergency driver.

TESTING SYSTEM: The emergency battery requires a charge minimum of one (1) hour before testing the circuit. A full charge requires Twenty-four (24) hours.

IMPORTANT: In order to maintain proper operation and warranty coverage, the battery must be recharged once per year prior to installation.

WARNING: Install in accordance with the national and local electrical code. Disconnect power before servicing. Driver must be grounded.

ATTENTION: L'installation doit être conforme aux normes du code national électrique. Débranchez l'alimentation avant l'entretien. Pilote doivent être mis à la terre.

Fulham Head Quarters:
Fulham Co., Inc
12705 South Van Ness Ave.
Hawthorne, CA90250

Manufacturer:
North China
Fulham Electronic Co. Ltd.
No. 9 heying Road, Nanshao Zhen Changping Science and technology Park, Beijing, P.R. China

SAVE THESE INSTRUCTIONS



RoHS
COMPLIANT



FHSCP-UNV-12W-L-SD

Guidelines

Grounding

- Driver must be grounded by means of the Driver case.

LED load

- Fulham Hotspot Plus LED drivers are designed to drive passive LEDs, -COB's and -LED assemblies Proper function is not guaranteed when (LED) loads with active components are used.

Mounting / Cooling

- Above an output power of 12W, the driver needs to be mounted on a heat conductive surface of at least 40cm². Always test if the surface is sufficient enough before installing the driver.

Short-circuit protection

- In case of a short circuit the LED driver switches to protection mode. After the removal of the short-circuit the LED driver will Latch ,need restart AC Power.

No-load Operation

- In no-load operation the output voltage will not exceed the specified open circuit output voltage.

Hot Swapping

- This driver does not support hot swapping of the LEDs

Battery Maintenance

- In order to maintain proper operation and warranty coverage, the battery must be recharged once per year prior to installation.

Warranty

- Reference Fulham's limited Warranty: <https://cdn.fulham.com/PDFs/Limited-Warranty.pdf>



FHSCP-UNV-12W-L-SD



Part Number Matrix

FHS

LED Driver

FHS = FireHorse HotSpot Driver

CP

Driver Type

CP = Constant Power

UNV

Input Voltage

UNV = 120V-277V

12W

Power

12W = 12 Watts

L

Case Type

L = Long Case

SD

Special Features

SD = Self Diagnostic

Product Image: LED Driver

FHSCP-UNV-12W-L-SD



Packaging

Master Carton



OUTER DIMENSION		
L	W	H
15.5" (394mm)	10.79" (274mm)	8.39" (213mm)
Net Weight	Gross Weight	QUANTITY
17.9lbs. (8.1kg.)	20.1lbs. (9.1kg)	15pcs.