



WARNING

- Installation, service, and maintenance of luminaires should be performed by a qualified licensed electrician.
- Before installing, servicing, or performing routine maintenance upon this equipment, follow these general precautions.
- Specifications and dimensions are subject to change without notice.
- Avoid direct eye exposure to the light source while it is on.
- Account for small parts and destroy packing material, as these may be hazardous to children.

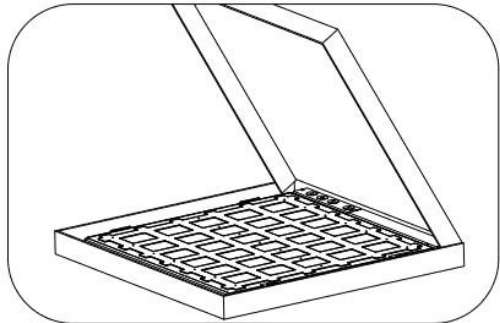
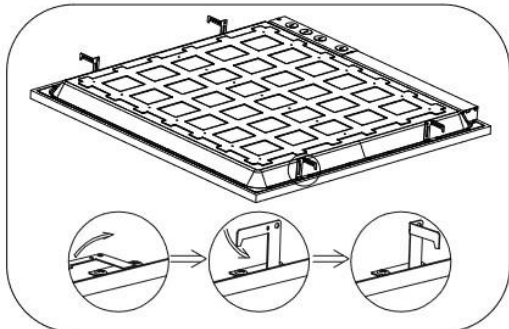
CAUTION

- Do not make or alter any open holes in the wiring enclosure or electrical components during fixture installation.
- Verify that supply voltage is correct by comparing it with the luminaire label.
- All wiring connections should be capped with UL approved wire connectors.
- A green ground screw is provided in the proper location. Do not relocate.
- Minimum 90° supply conductors.

NOTICE

- Suitable for dry or damp locations. Type IC.

Installation Instructions

<p>Carefully unpack unit and properly inspect for defect before installing. Wear work gloves to prevent dirt and oil from being transferred to the luminaire. If cleaning is needed, use gloves and a dry cloth. Do not use hazardous chemicals.</p>	<p>Figure 1</p> 
<p>Lift up four mounting clips on the sides of the luminaire. You can do it by hand (wearing work gloves) or use pliers.</p>	<p>Figure 2</p> 

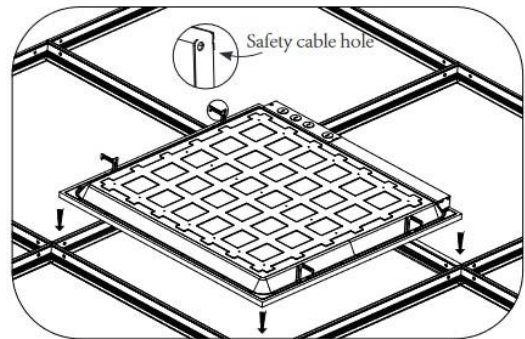


COLOR/WATTAGE SELECTABLE LED PANEL/TROFFER HYBRID FIXTURE

WARNING, CAUTION, SAFETY AND INSTALLATION INSTRUCTIONS

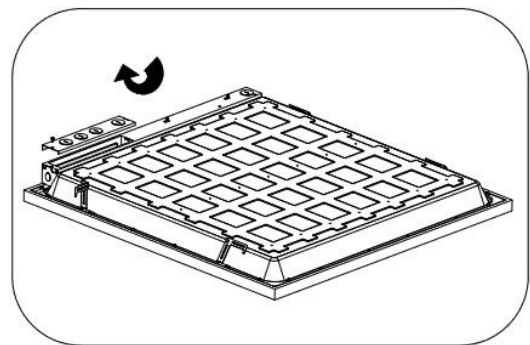
Insert luminaire into T-bar ceiling grid. Secure safety cable to connection hole as needed to meet local requirements.

Figure 3



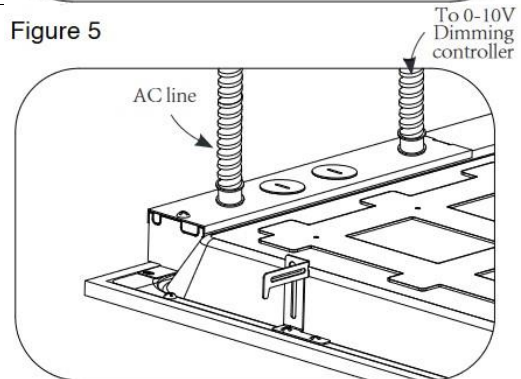
Remove electrical enclosure cover. Carefully remove knockout for AC line input wires and 0-10V control line. Install listed electrical fittings in the knockout holes.

Figure 4



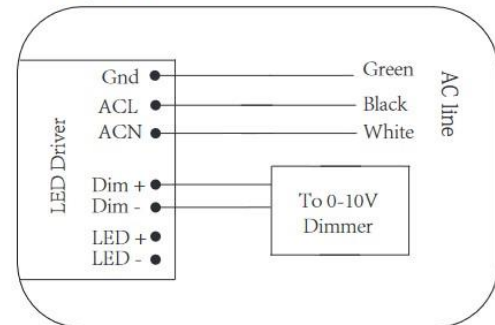
Plug in AC line (L and N, and GND) to the LED Driver using 18-14 AWG Wire. When connecting 0-10V dimming controller, wires must run through a separate knockout hole equipped with an appropriate electrical fitting.

Figure 5



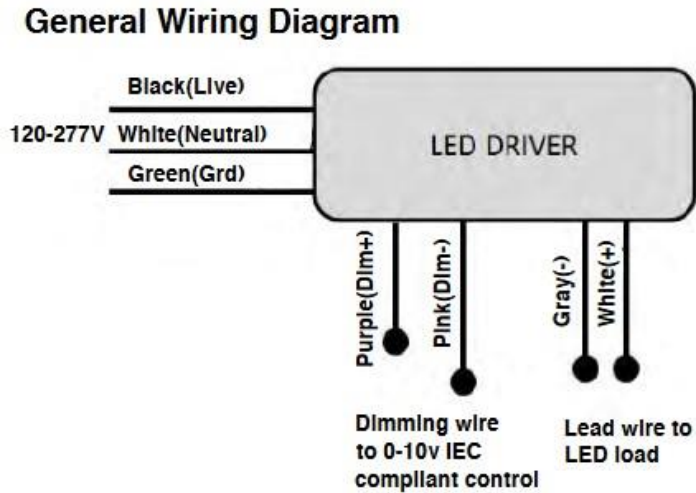
Follow wire connection instructions. When using the 0-10V dimming controller, run wires from controller through a different knockout than the AC input wire. Replace the electrical enclosure cover and tighten the screws.

Figure 6





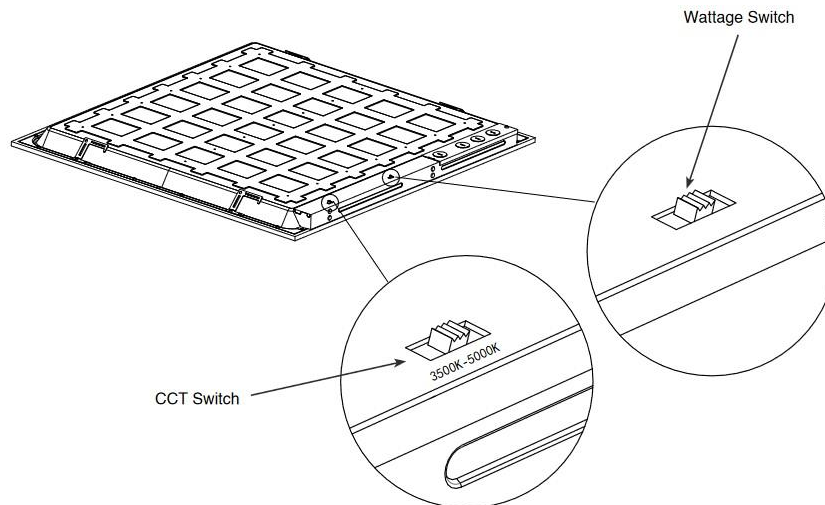
Wiring Diagram



Field-Adjustable Wattage & CCT

Adjust the color temperature and lumen output using the two DIP switches located on the driver. Each DIP switch allows 3 options (left, middle, and right), allowing selection of 3 color temperatures and 3 wattages (lumen outputs).

1. DIP switches are located on the driver box.
2. Select a wattage and color temperature by sliding the switch left or right.



⚠ WARNING

- Before installing, servicing, or performing routine maintenance upon this equipment, follow these general precautions.
- To reduce the risk of death, personal injury, or property damage from fire, electric shock, falling parts, cuts/abrasions, and other hazards, read all warnings and instructions included with and on the fixture box and all fixture labels.



COLOR/WATTAGE SELECTABLE LED PANEL/TROFFER HYBRID FIXTURE WARNING, CAUTION, SAFETY AND INSTALLATION INSTRUCTIONS

- Proper grounding is required to ensure safety.
- Power must be turned off at the breaker before installation or maintenance.
- This product must be installed in accordance with the applicable installation code by a person familiar with the construction and operation of the product and the hazards involved.
- Wear gloves and eye protection at all times while installing, servicing, or performing maintenance on the luminaire, and avoid direct eye exposure to the light source while it is on.
- To prevent wiring damage or abrasion, do not expose wiring to edges of sheet metal or other sharp objects.
- Do not install damaged product. Inspect luminaire for damage that may have occurred during transit. If damaged, contact the manufacturer immediately.
- These instructions do not purport to cover all details or variations in equipment nor to provide every possible contingency to meet in connection with installation, operation, or maintenance. Should further information be desired or should particular problems arise which are not covered sufficiently for the purchaser's or owner's purposes, contact the manufacturer.

⚠ ADVERTENCIA

- Antes de instalar, reparar o realizar el mantenimiento de rutina de este equipo, siga estas precauciones generales.
- Para reducir el riesgo de muerte, lesiones personales o daños a la propiedad por fuego, descarga eléctrica, caída de piezas, cortes / abrasiones y otros peligros, lea todas las advertencias y instrucciones incluidas con y en la caja del dispositivo y todas las etiquetas del dispositivo.
- Se requiere una conexión a tierra adecuada para garantizar la seguridad.
- Se debe apagar la energía en el disyuntor antes de la instalación o el mantenimiento.
- Este producto debe ser instalado de acuerdo con el código de instalación aplicable por una persona familiarizada con la construcción y operación del producto y los peligros involucrados.
- Utilice guantes y protección para los ojos en todo momento durante la instalación, el servicio o el mantenimiento de la luminaria, y evite la exposición directa de los ojos a la fuente de luz mientras está encendida.
- Para evitar daños o abrasiones en el cableado, no exponga el cableado a bordes de láminas de metal u otros objetos afilados.
- No instale un producto dañado. Inspeccione la luminaria en busca de daños que puedan haber ocurrido durante el tránsito. Si está dañado, comuníquese con el fabricante de inmediato.
- Estas instrucciones no pretenden cubrir todos los detalles o variaciones en el equipo ni proporcionar todas las posibles contingencias a cumplir en relación con la instalación, operación o mantenimiento. Si desea obtener más información o si surgen problemas particulares que no están suficientemente cubiertos para los propósitos del comprador o propietario, comuníquese con el fabricante.