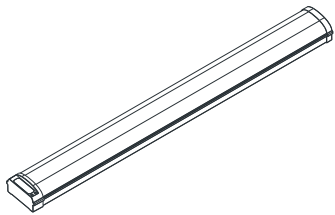


 Please read **all the instructions** before attempting installation

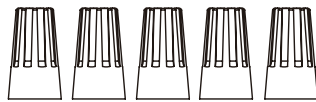
- Please read the product specification carefully first to confirm that the working environment is in line with the condition on the specification before it is used.
- Tools required for assembly (not included): Screwdriver, Phillips screwdriver, Pliers, Electrical Tape, Wire Cutters, Safety Glasses, Ladder, Wire Stripper, and Measuring Tape.
- Please confirm the input voltage and frequency before use.
- The light must be installed by professional personnel
- If the power cord and case of the products are damaged, it will be regarded as disqualified product and should not be used.
- If external soft cable or wire of the product is damaged, the wire should be replaced by manufacturer or service agent or personnel with similar qualification to avoid danger.
- This luminaire is designed to operate in ambient temperatures ranging from 32°F to 104°F and to be horizontally mounted facing down.
- This product must be installed in accordance with the applicable installation code by a person familiar with the construction and operation of the product and the hazards involved.
- This product is not available for several special environments, such as places with corrosive gas liquids or high pressure water vapor.
- **CONSULT A QUALIFIED ELECTRICIAN TO ENSURE CORRECT BRANCH CIRCUIT CONDUCTOR**
- **CAUTION - RISK OF FIRE**

Packaging Contents

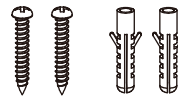
A. Stairwell/Wraparound (LWRL)



B. Wire Connectors (5)



C. Screws and Wall Anchors (2)



 Installation Instructions

1. Turn off the power at the main fuse/breaker box. Carefully open carton, remove all the parts.
2. Remove the set screw (Part A) to separate the enclosure cover (Part B) using the screwdriver (not included)
3. Remove one of knockout (Part C) on the enclosure cover (Part B) by using screwdriver (Fig.1).
4. Connect wires from power source to the fixture.(Note all wires across the knockout)
  - a. Connect the black wire from the power source to the black wire fixture.
  - b. Connect the white wire from the power source to the white wire in the fixture.

Standard Installation

Fig. 1

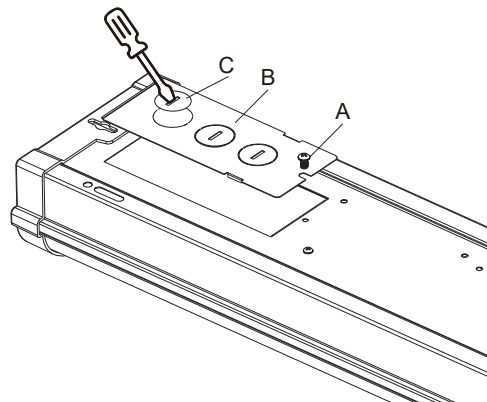
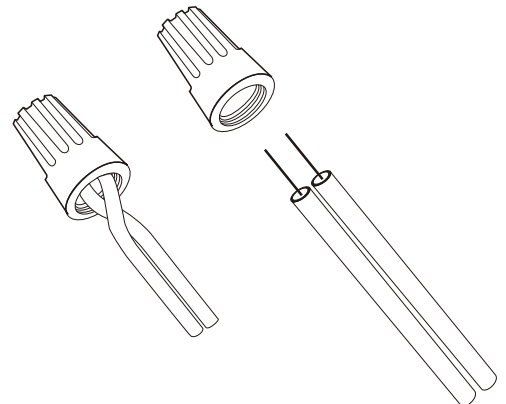


Fig. 2



- c. Connect the GROUNDING wire (green/yellow) from the power source to the green wire in the fixture.
- d. Connect all of the fixture wires to power source wires with wire nuts (Fig. 2).

- 5. Fixed the enclosure cover (Part B) using the set screw (Part A).
- 6. \*Optional Changeable Color Temperature (CCT): Turn the switch to the position of 3000K, 3500K, 4000K, 5000K to select the color temperature (Fig.3).
- 7. \*Optional Wattage Selectable: Turn the switch to the position of 20W, 25W, 30W, 35W to select wattage with LWRL2-2035CS. Turn the switch to the position of 35W, 40W, 45W, 50W to select wattage with LWRL4-3550CS.

- 8. Install two screws on the mounting surface spaced (20.4" for LWRL2-2035CS, 44.4" for LWRL4-3550CS) apart. Leave approximately 0.1" between the surface and screw. Recommended screw head dimension is 7-8mm. (Recommend to use screws with wall anchors if mounting onto plaster board) (Fig. 4).
- 9. Align fixture to the screws and slide to one side to secure it in place. The fixture should be firmly fixed against the screws. If not firmly fixed, remove the fixture and tighten the screws to a smaller gap distance to the surface (Fig. 5).

- 10. Turn on the power at main fuse or breaker box.

**V-HANGER INSTALLATION (NOT INCLUDED)**

- 1. Slide V-Hanger through center hole of last link of chain (Fig. 6).
- 2. Insert V-Hanger into mounting slots & holes on fixture and close hook with pliers to lock into fixture (Fig. 7 & 8).
- 3. Insert S-Hook through center hole of last link of chain then close with pliers (Fig. 9).
- 4. Attach open S-Hook end to appropriate ceiling mounting eyelet or bracket, then close S-Hook with pliers.

Fig. 3

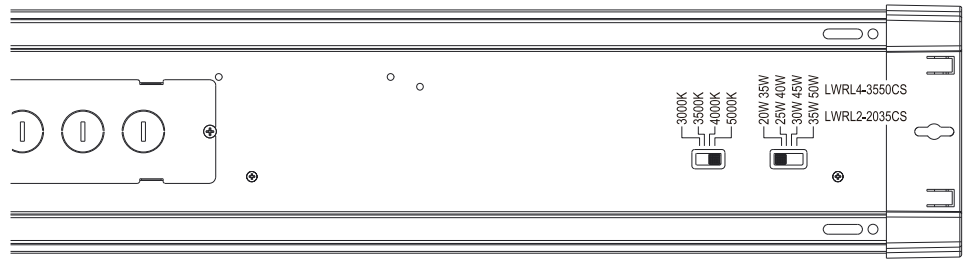


Fig. 4

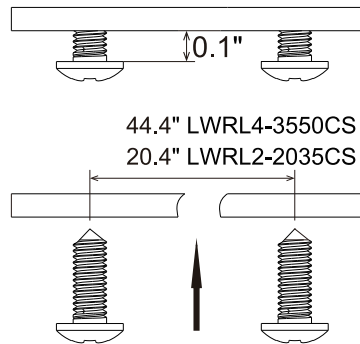


Fig. 5

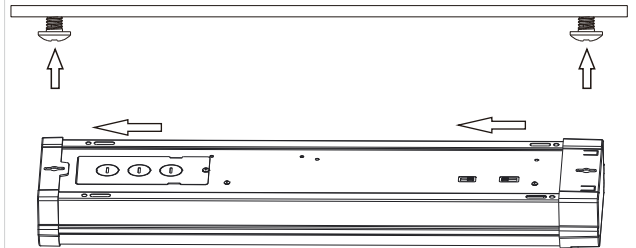


Fig. 6

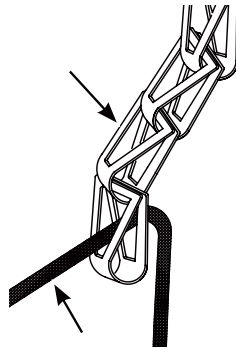


Fig. 7

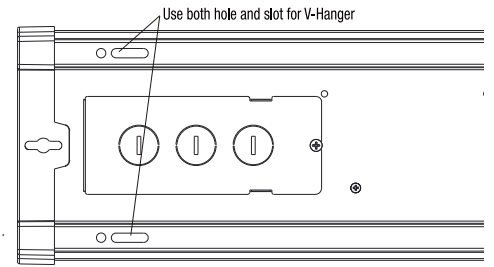


Fig. 8

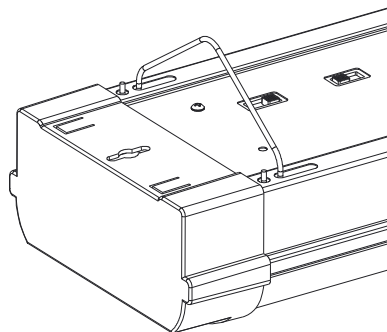
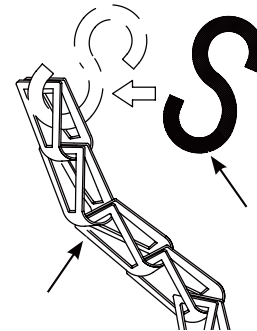


Fig. 9



**EMERGENCY DRIVER INSTALLATION (OPTIONAL)**

Follow the normal installation sequence and note the following unique installation steps for emergency products.

1. Please connect the yellow wire to the wall switch or directly connect to the black wire (Fig. 10).
2. Connect the battery quick connector before operation (Fig. 11).

Fig. 10

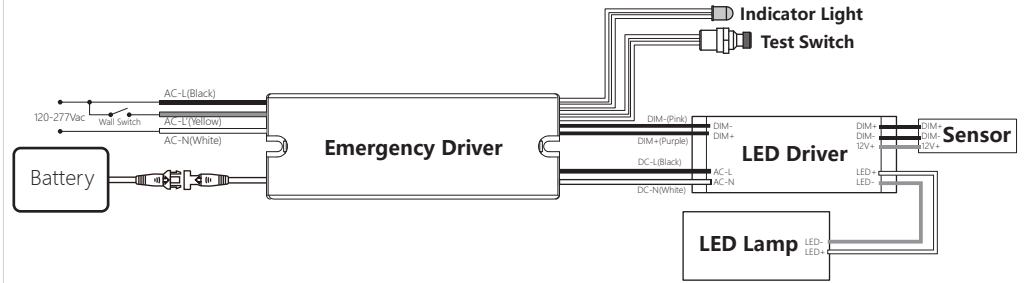


Fig. 11

