



COLOR/WATTAGE SELECTABLE LED WALL PACK FIXTURE

WARNING, CAUTION, SAFETY AND INSTALLATION INSTRUCTIONS

WARNING

- Installation, service, and maintenance of luminaries should be performed by a qualified licensed electrician.

CAUTION

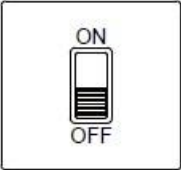
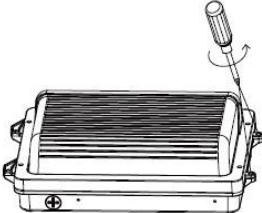
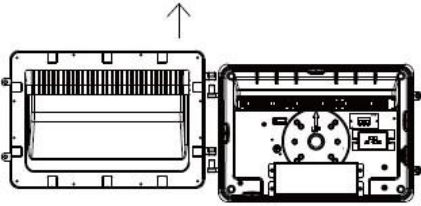
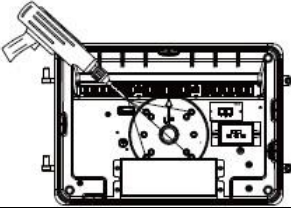
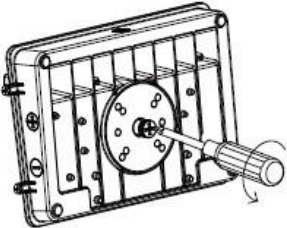
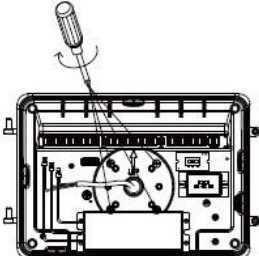
- Do not use an electric generator to test this fixture.
- In the event of smoke or fire, turn off power immediately and contact a licensed electrician.
- Fixture should be mounted at least 6.56' (2 meters) above the ground.

NOTICE

- Suitable for outdoor use.

Installation Instructions

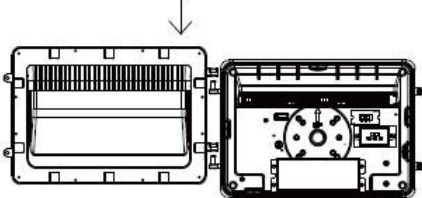

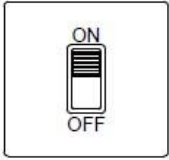
J-Box Mounting

<p>1. Turn off the power.</p> 	<p>2. Use a screwdriver to remove the screws on both sides.</p> 
<p>3. Open the fixture and remove the upper cover.</p> 	<p>4. Drill mounting holes with an electric drill.</p> 
<p>5. Use a screwdriver to remove the plug, then attach the EVA cotton pad to the bottom.</p> 	<p>6. Lock the bottom shell on the mounting seat with screws. Connect the L, N, and G wires to the power supply.</p> 

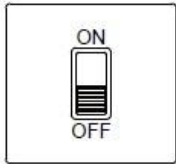
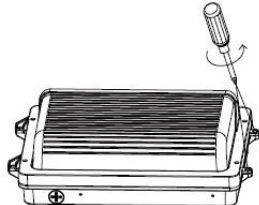
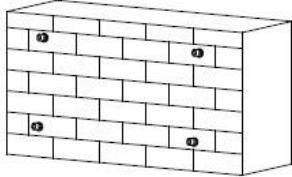
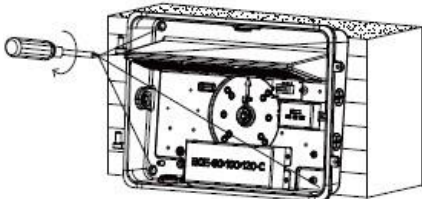
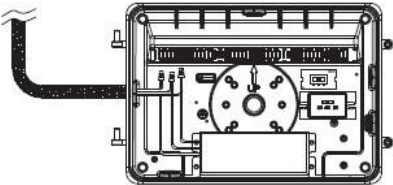
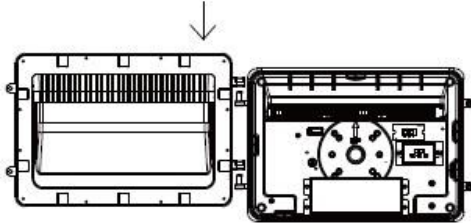

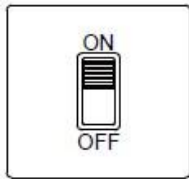


COLOR/WATTAGE SELECTABLE LED WALL PACK FIXTURE

WARNING, CAUTION, SAFETY AND INSTALLATION INSTRUCTIONS

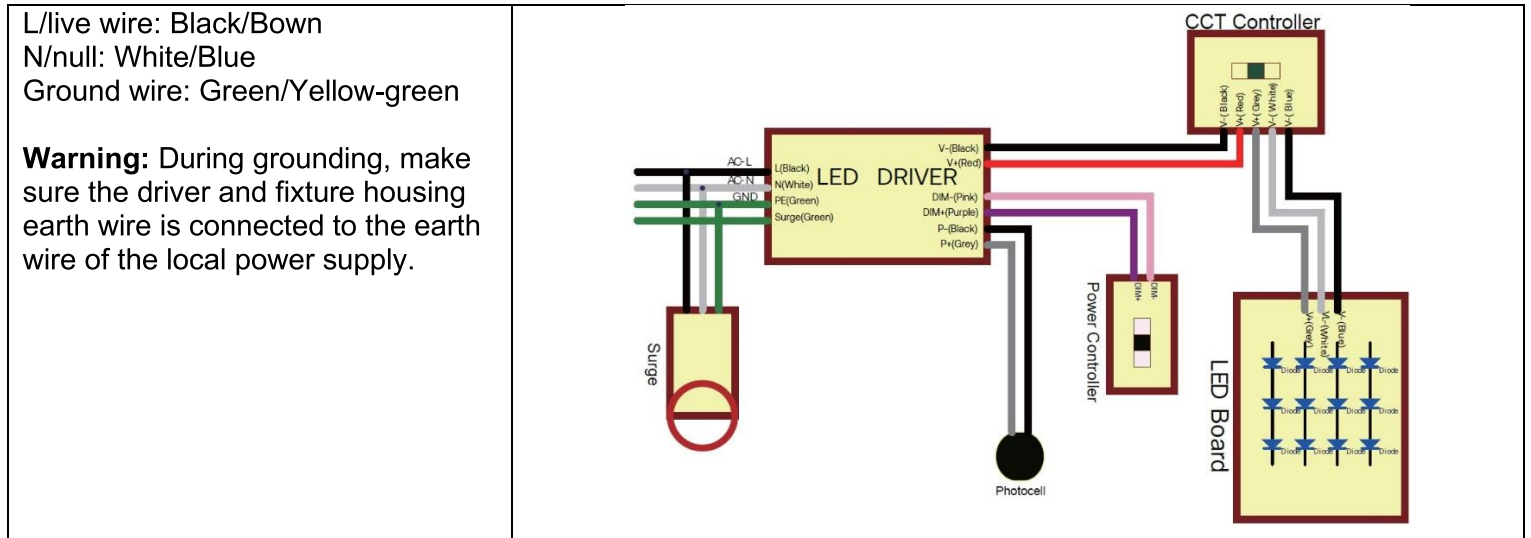
<p>7. Replace the cover.</p> 	<p>8. Use the screws to close and seal the fixture.</p> 
<p>9. Make sure the installation is complete before turning the power back on.</p> 	

Wall Mounting

<p>1. Turn off the power.</p> 	<p>2. Use a screwdriver to remove the screws on both sides and remove the upper cover.</p> 
<p>3. Drill mounting holes with an electric drill, then insert expansion bolts into each hole.</p> 	<p>4. Lock the bottom shell on the mounting seat with screws.</p> 
<p>5. Connect the L, N, and G wires to the power supply.</p> 	<p>6. Replace the cover.</p> 
<p>7. Use the screws to close and seal the fixture.</p> 	<p>8. Make sure the installation is complete before turning the power back on.</p> 



Wiring Diagram

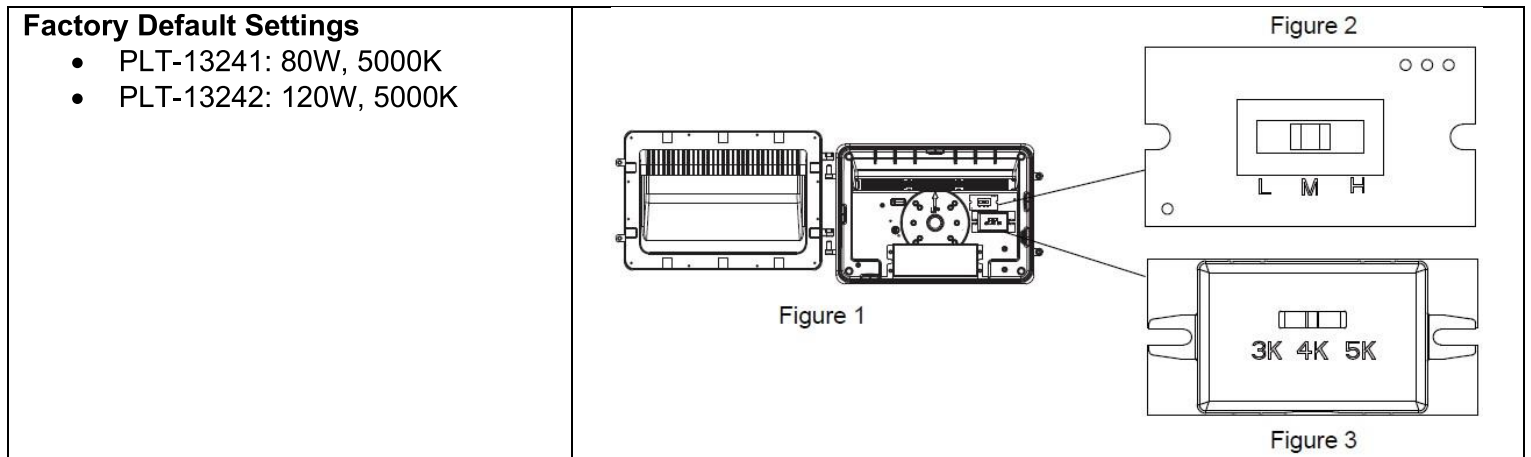


Field-Adjustable Wattage & CCT

The color temperature and lumen output can be adjusted using the two DIP switches inside the plug on the back of the fixture (Figure 2 & Figure 3). Each switch has three options (left, middle, right), corresponding to three CCTs and three wattages respectively, that can perform the desired CCT and lumen output combination.

Note: Turn off the power before adjusting the wattage and color temperature.

1. The DIP switches are located in the driver box (Figure 1).
2. Select a wattage and CCT by sliding the DIP switches left or right respectively to the desired value.



⚠ WARNING

- Before installing, servicing, or performing routine maintenance upon this equipment, follow these general precautions.



COLOR/WATTAGE SELECTABLE LED WALL PACK FIXTURE

WARNING, CAUTION, SAFETY AND INSTALLATION INSTRUCTIONS

- To reduce the risk of death, personal injury, or property damage from fire, electric shock, falling parts, cuts/abrasions, and other hazards, read all warnings and instructions included with and on the fixture box and all fixture labels.
- Proper grounding is required to ensure safety.
- Power must be turned off at the breaker before installation or maintenance.
- This product must be installed in accordance with the applicable installation code by a person familiar with the construction and operation of the product and the hazards involved.
- Wear gloves and eye protection at all times while installing, servicing, or performing maintenance on the luminaire, and avoid direct eye exposure to the light source while it is on.
- To prevent wiring damage or abrasion, do not expose wiring to edges of sheet metal or other sharp objects.
- Do not install damaged product. Inspect luminaire for damage that may have occurred during transit. If damaged, contact the manufacturer immediately.
- These instructions do not purport to cover all details or variations in equipment nor to provide every possible contingency to meet in connection with installation, operation, or maintenance. Should further information be desired or should particular problems arise which are not covered sufficiently for the purchaser's or owner's purposes, contact the manufacturer.

⚠ ADVERTENCIA

- Antes de instalar, reparar o realizar el mantenimiento de rutina de este equipo, siga estas precauciones generales.
- Para reducir el riesgo de muerte, lesiones personales o daños a la propiedad por fuego, descarga eléctrica, caída de piezas, cortes / abrasiones y otros peligros, lea todas las advertencias y instrucciones incluidas con y en la caja del dispositivo y todas las etiquetas del dispositivo.
- Se requiere una conexión a tierra adecuada para garantizar la seguridad.
- Se debe apagar la energía en el disyuntor antes de la instalación o el mantenimiento.
- Este producto debe ser instalado de acuerdo con el código de instalación aplicable por una persona familiarizada con la construcción y operación del producto y los peligros involucrados.
- Utilice guantes y protección para los ojos en todo momento durante la instalación, el servicio o el mantenimiento de la luminaria, y evite la exposición directa de los ojos a la fuente de luz mientras está encendida.
- Para evitar daños o abrasiones en el cableado, no exponga el cableado a bordes de láminas de metal u otros objetos afilados.
- No instale un producto dañado. Inspeccione la luminaria en busca de daños que puedan haber ocurrido durante el tránsito. Si está dañado, comuníquese con el fabricante de inmediato.
- Estas instrucciones no pretenden cubrir todos los detalles o variaciones en el equipo ni proporcionar todas las posibles contingencias a cumplir en relación con la instalación, operación o mantenimiento. Si desea obtener más información o si surgen problemas particulares que no están suficientemente cubiertos para los propósitos del comprador o propietario, comuníquese con el fabricante.