

Catalog Number
Notes
Type

FEATURES & SPECIFICATIONS

CONSTRUCTION

Designed to mount the CPANL fixture directly to a ceiling.

Two bracket sizes accommodate three CPANL fixture sizes.

Mounts to a variety of hard ceilings.

WARRANTY — 1-year limited warranty. Complete warranty terms located at:

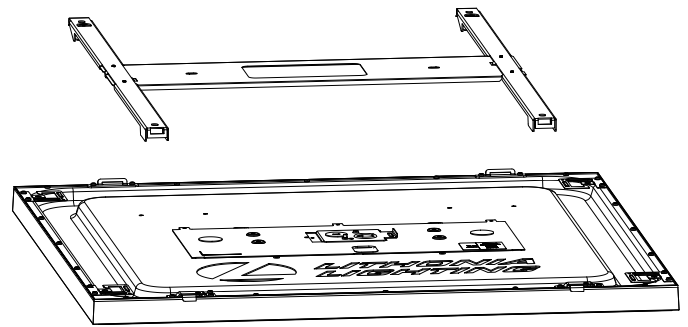
www.acuitybrands.com/support/warranty/terms-and-conditions

Note: Actual performance may differ as a result of end-user environment and application.

Specifications subject to change without notice.

Direct Ceiling Mount Kit

DCMK Direct Ceiling Mount Kits

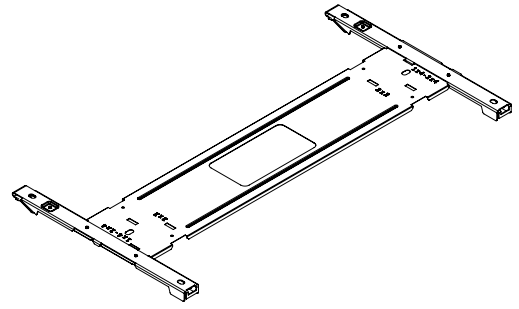
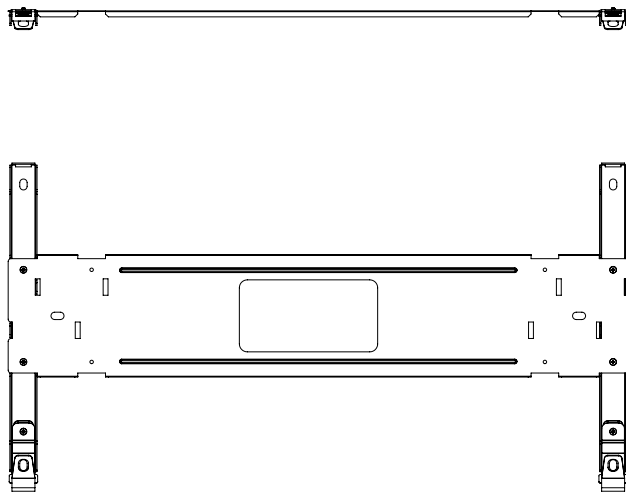


ORDERING INFORMATION

Kit	Description	UPC	Pallet Qty
DCMK 14	1x4 Direct Ceiling Mount Kit, For use with CPANL1x4 Fixture	194995031726	406
DCMK 224	2x2 and 2x4 Direct Ceiling Mount Kit, For use with CPANL 2x2 and 2x4 Fixture	194995031719	406

DCMK Direct Ceiling Mount Kits

DCMK 14



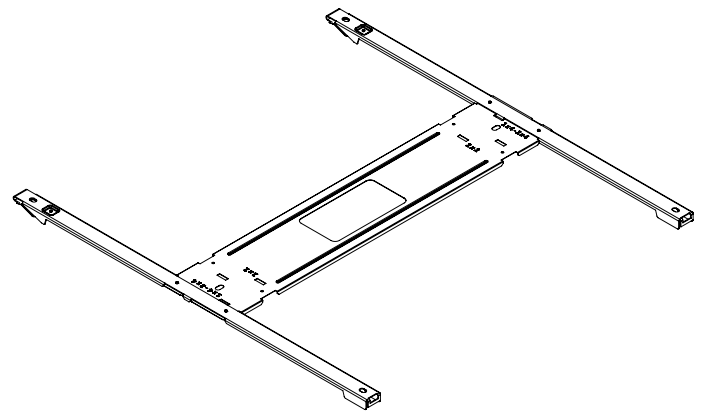
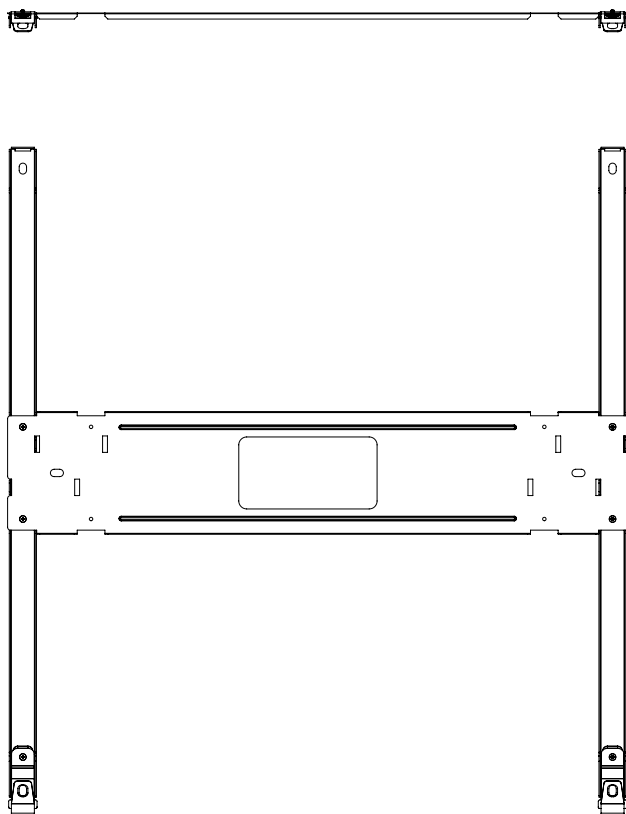
Actual DCMK 14 Dimensions and Weight:

Length	21.5 (54.4)
Width	11.375 (29)
Height	.68 (1.8)
Kit Weight	1.0 lbs

DCMK 14 Dimensions and Weight in Carton:

Length	22.5 (57.15)
Width	4.75 (12.1)
Height	1.5 (3.8)
Weight	1.53 lbs

DCMK 224



Actual DCMK 224 Dimensions and Weight:

Length	23.25 (59)
Width	21.5 (54.4)
Height	.68 (1.8)
Kit Weight	1.4 lbs

DCMK 224 Dimensions and Weight in Carton:

Length	24.5 (62.2)
Width	4.75 (12.1)
Height	1.5 (3.81)
Weight	1.82lbs