



# LED DOWNLIGHT

Model No. DLC8C-24W203swej

The Euri Lighting LED 8" commercial downlight includes two switches on the unit which allows for adjustment of the input power 10W/15W/24W, lumen output 1000lm/1500lm/2500lm, and color temperature 27K/30K/35K/40K/50K. This downlight is made for easy installation in new construction, remodel, and retrofit projects. Its 90+ CRI and frosted lens allow for true color rendering to bring out vivid colors throughout, and glare-free lighting making it ideal for commercial use in retail spaces, hospitals, offices, and airports. Features include: 0-10V dimming, 5CCT selectable, 3 Wattage Selectable, wet rated, JA8, IC Rated, and Energy Star.

\*Available accessories include a 8" goof ring and mounting plate.



N/A

REPLACEMENT



3 Wattage Selectable



5CCT Selectable



90+ CRI



0-10V Dimmable



Wet Rated



Abutted and Covered

## Electrical Specifications

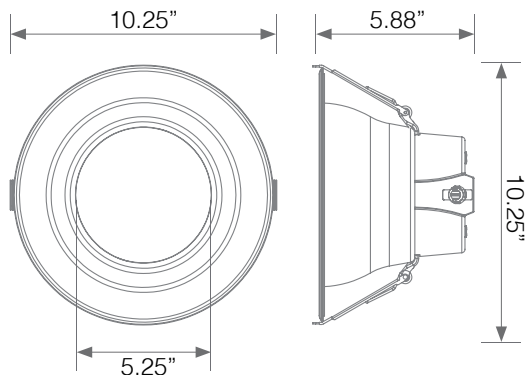
Input Power	Equivalency	Input Voltage	Lumen Output	Luminous Efficacy	CCT	Estimated Yearly Cost
10 W	N/A	AC120-277V	1000 lm	100 lm/W	27K/30K/35K/40K/50K	\$ 1.20
15 W	N/A	AC120-277V	1500 lm	100 lm/W	27K/30K/35K/40K/50K	\$ 1.80
24 W	N/A	AC120-277V	2500 lm	100 lm/W	27K/30K/35K/40K/50K	\$ 2.89

Beam Angle	Center Beam	CRI	Power Factor	Input Current	Base	Lamp Lifespan
90°	N/A	90+	0.9	0.22 A	Wire	50,000 Hrs.

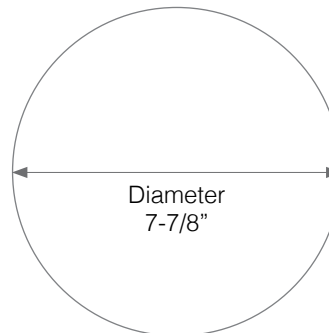
## Mechanical Specifications

Rating	Operational Temperature	Inner Box QTY.	Master Box QTY.	Dimensions(in.)	UPC Code
Wet Rated	-4°F - 104°F	1 pc	4 pcs	10.25"(Ø) x 5.88"(H)	811174037385

## Product Dimensions



## Cut-Out Size



COMPATIBLE DIMMERS

LUTRON

NOVA NFTV 450, DECORA DS710-1 960, NOVA NTSTV DV-960

LEVITON

DECORA IP710-DL 1200

LEGRAND

WATTSTOPPER RH4FBL3P 1200