



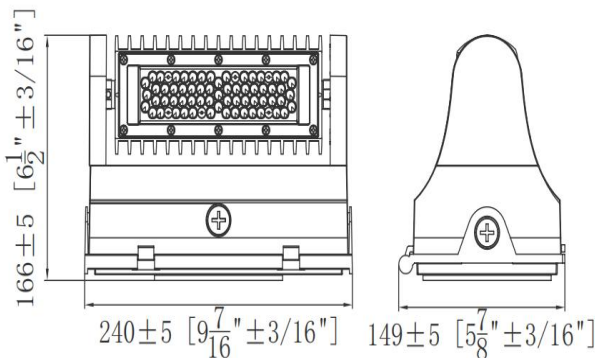
PLT-13163 - 13/19/25W, Up to 3625 Lumens, 30/40/50K, Bronze Finish

- Lens rotates 350°
- DLC 5.1 Premium - PLTSN511112



| Wattage | CCT | Lumen | Efficacy |
|---------|-------|-------|----------|
| 13 | 3000K | 1949 | 150 |
| | 4000K | 2023 | 155 |
| | 5000K | 1947 | 150 |
| 19 | 3000K | 2793 | 147 |
| | 4000K | 2933 | 154 |
| | 5000K | 2775 | 146 |
| 25 | 3000K | 3125 | 125 |
| | 4000K | 3625 | 145 |
| | 5000K | 3375 | 135 |

DIMENSIONS



ADVANTAGE

- UL, DLC
- Bridgelux 3030
- IP65 Internal driver.
- Input voltage 100-277VAC.
- Output can be dimmed with 0-10V dimmer.
- Wattage adjustable.
- No UV or IR in the beam.
- Easy to install and operate.
- Energy saving, long lifespan.
- Light is soft and uniform.
- Instant start, NO flickering, NO humming.
- Green and eco-friendly without mercury.

APPLICATION

- ◆ Entrance lighting, courtyard lighting;
- ◆ Industrial lighting, Outdoor landscape lighting;
- ◆ Buildings, Hotels
- ◆ Wall lighting

SPECIFICATIONS

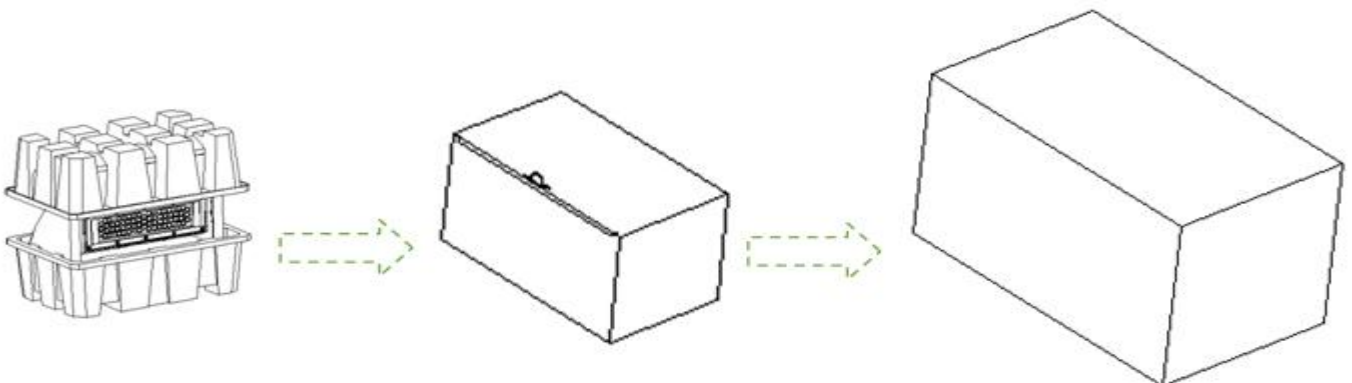
| | | | | |
|--------------------|--|---|---------|---------|
| OPTICAL | Input Power (Tolerance : ±10%) | 25W (Wattage adjustable 25W/19W/13W) | | |
| | CCT (Color Tunable) | 3000K | 4000K | 5000K |
| | Lumen (Tolerance : ±10%) | 3125LM | 3625LM | 3375LM |
| | Efficacy (Tolerance : ±3%) | 125LM/W | 145LM/W | 135LM/W |
| | CRI | >70 | | |
| | Color Consistency | <7Steps (or <7SDCM) | | |
| | Beam Angle (50%) (Tolerance : ±15%) | 60 Degree | | |
| ELECTRICAL | Input Voltage and Frequency | 100-277VAC, 50/60Hz | | |
| | PF (Tolerance : -3%) | ≥0.9 | | |
| | THD (Tolerance : +5%) | ≤20% | | |
| | Driver Brand | HBE | | |
| | Driver Model | HB-LPG030-52 | | |
| | Driver Surge protection | L-N:2.5KV,L/N-GND:2.5KV | | |
| | Dimming | 0-10V dimming standard | | |
| | Sensor Type | Occupancy Sensor* | | |
| Optional Accessory | Surge protector* / Motion Sensor* / PIR* / Photocell* /Auxiliary output 12V/Power selection* | | | |
| MATERIALS | LED Brand | Bridgelux | | |
| | LED Type | SMD3030 | | |
| | LED QTY | 30 PCS(3000K/5000K);60 PCS(4000K) | | |
| | Housing | Die-cast aluminum | | |
| | Housing Color | Bronze, Black*, or Customized* | | |
| | Waterproof Rating | WET (IP65) | | |
| OTHERS | Operating Temperature | Without Motion Sensor: -40°C TO 45°C; With Motion Sensor: -30°C TO 45°C | | |
| | Storage Temperature | 10%-90% RH | | |
| | Operating Humidity | -40°C TO 80°C | | |
| | Storage Humidity | 10%-95% RH | | |
| | Warranty | 5 years | | |

*Optional sensors, accessories, and finishes available via Special Order. Please call 1-800-624-4488.

PACKAGE

| Bracket Type | Carton Size | Qty / Carton | Net Weight / Carton | Gross Weight / Carton |
|--------------|----------------|--------------|---------------------|-----------------------|
| Outer box | 415*310*450 mm | 4 PCS | 7.6 KG | 9KG |
| Inner box | 295*200*215 mm | 1 PC | 1.9KG | 1.975KG |

Tolerance of Carton Size: ±15 MM, Tolerance of Weight: ±10%.



LIGHT DISTRIBUTION TESTING PARAMETERS

Luminaire Property

Luminaire Manufacturer:

Luminaire Category:

Lamp Catalog:

Number of Lamps:

Luminous Length (mm): 178

Luminous Height (mm):

Current: 0.217 A

Power Factor: 0.991

Luminaire Description:

Lamp Description:

Lumens per Lamp:

Luminous Width (mm): 57

Voltage: 120.0 V

Power: 25.83 W

Photometric Results

IES Classification: Type I

Total Rated Lamp Lumens: 3454.6 lm

Efficiency: 100%

Upward Ratio: 0%

C0r0 Intensity: 2813.61 cd

Pos of Max. Intensity: H292.5 V5

Beam Angle(C0/C180,C90/C270,C45/C225,C135/315): 66.5, 65.6, 66.1, 65.3

Longitudinal Classification: Very Short

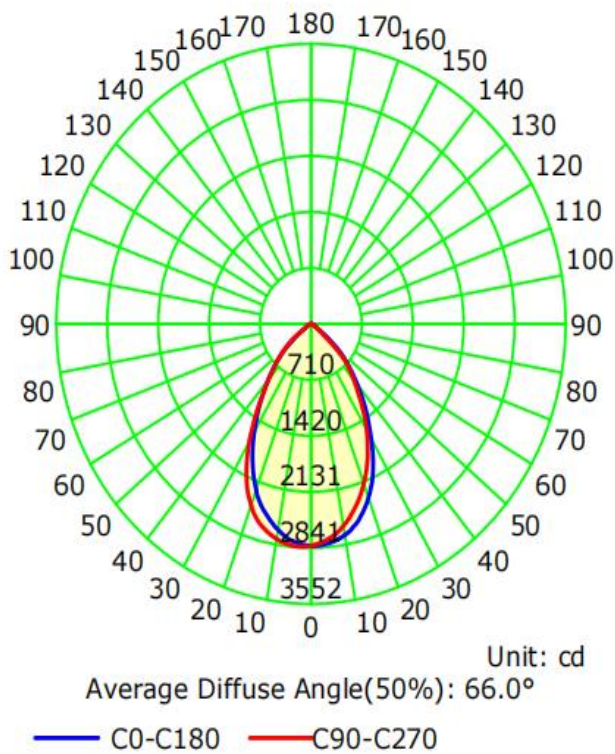
Measurement Flux: 3454.6 lm

Downward Ratio: 100%

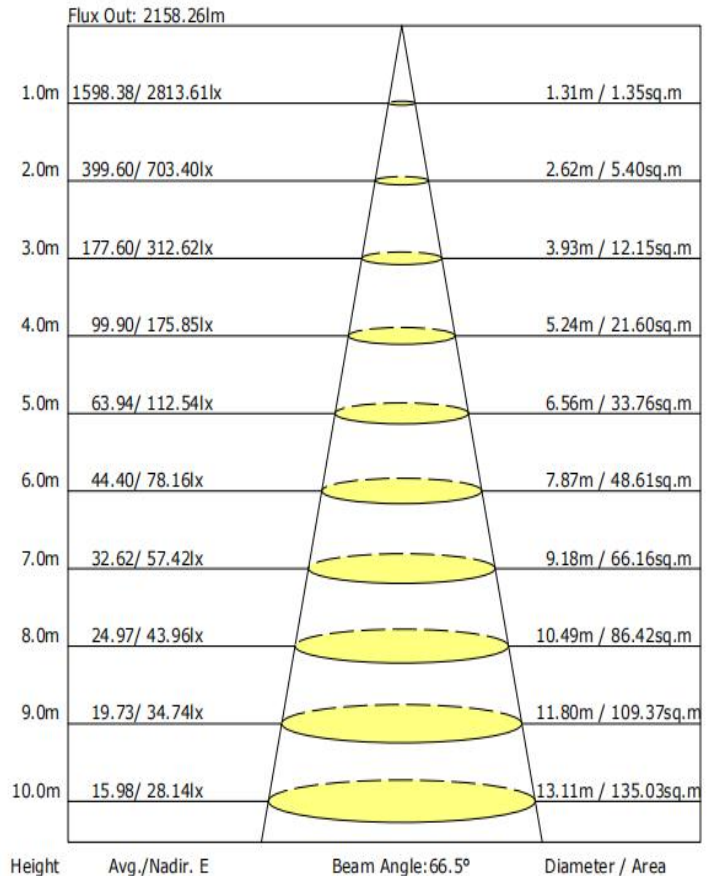
Luminaire Efficacy Rating (LER): 133.79

Max. Intensity: 2841.96 cd

Luminous Intensity Distribution Curve



The Average Illuminance Effective Figure



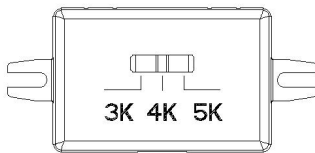
NOTICE FOR USER

- Please turn off power before installation or maintenance.
- Verify that supply voltage is correct by comparing it with the luminaire label information. Please make sure the wiring is insulated.
- Installation, service, and maintenance of luminaires should be performed by a qualified licensed electrician.

TROUBLESHOOTING

| Problem | Solution |
|------------------------|---|
| Flickering Light | Turn off the power, then turn on again after 3 minutes. If the light continues to flicker, call a licensed electrician. |
| Fixture not turning on | Check the electrical connection. |

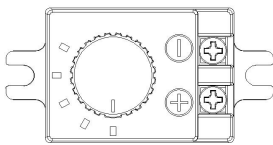
Wattage & CCT Selection



Color temperature adjustable instruction

1. Slide the DIP switch to the desired color temperature
 - a. 3K = 3000K
 - b. 4K = 4000K
 - c. 5K = 5000K

Note: Please turn off the power before adjusting the color temperature.



Wattage adjustable instruction

1. Turn the knob to the desired wattage

Note: Please turn off the power before adjusting the wattage.