



# LED Tape Light Channel – Mud-In Recessed

## DESCRIPTION

Create custom fixtures for your LED tape light with these mud-in recessed channels and their compatible accessories.

## FEATURES

- Comes with opaque lens
- Channel and lens can be cut to desired length
- Recesses into walls or ceilings; mud-in flange provides a seamless look
- Designed for LED tape light no wider than 10mm/0.39 in
- Requires additional accessories to complete installation; see Accessories section for full list of compatible accessories.

## LISTINGS

- Indoor/dry locations
- RoHS

## CONSTRUCTION

- Aluminum with anodized finish
- Frosted PC lens protects the tape light while diffusing light output

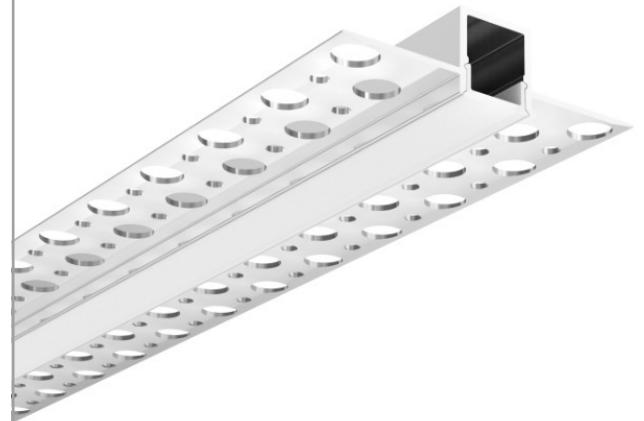
## INSTALLATION

- Mud-in recessed mount into drywall; see Installation Instructions for more information.

## WARRANTY

- 3-year limited warranty; see [pltsolutions.com](http://pltsolutions.com) for warranty details

<b>Project name</b>	<b>Type</b>
<b>Catalog number</b>	
<b>Comments</b>	<b>Voltage</b>
<b>Approved by</b>	<b>Date</b>



## APPLICATIONS

- Walls
- Ceilings

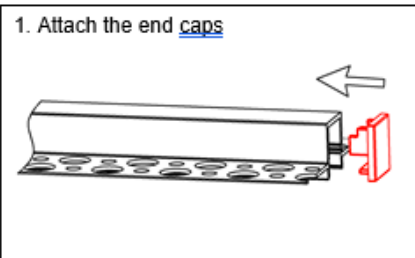
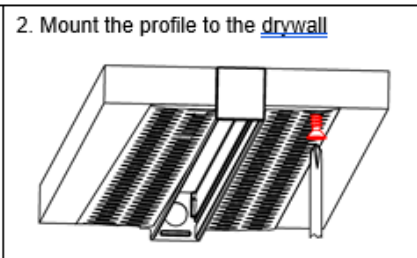
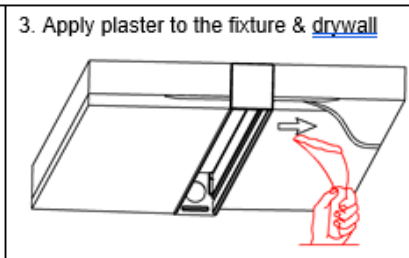
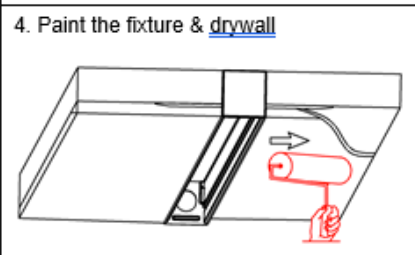
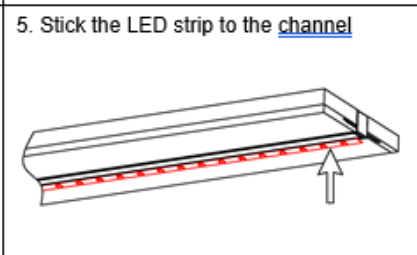
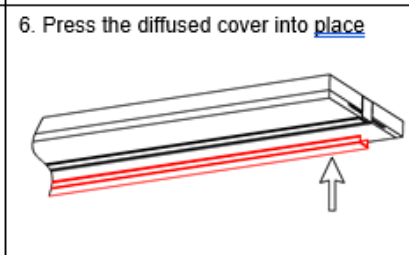
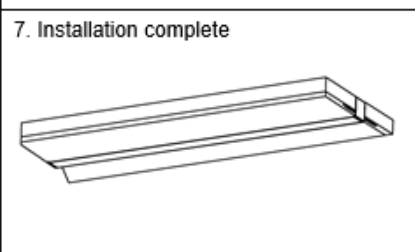
## PERFORMANCE SUMMARY

Item #	Mounting	Beam Angle	Tape Light Max. Width	Finish	Length
PLT-12900	Mud-In Recessed	100°	10mm	Anodized	6.6'

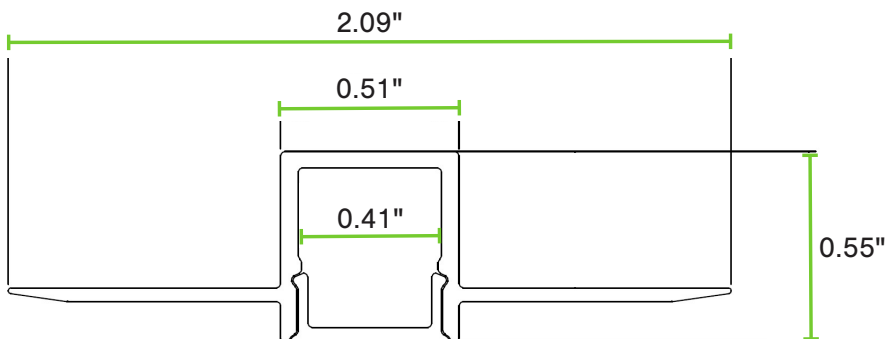
## ACCESSORIES

SKU	Description	Compatible With
PLT-12901	End Cap - Grey - 2 Pack	PLT-12895

## INSTALLATION

1. Attach the [end caps](#)  

2. Mount the profile to the [drywall](#)  

3. Apply plaster to the fixture & [drywall](#)  

4. Paint the fixture & [drywall](#)  

5. Stick the LED strip to the [channel](#)  

6. Press the diffused cover into [place](#)  

7. Installation complete  


## DIMENSIONS



### **CHANNEL**

Height - 0.55"

Width - 0.51"

Width w/ flange - 2.09"

Inner Channel Width - 0.41"

Length - 6.6'

Weight - 1.16 lbs