



COLOR/WATTAGE SELECTABLE LED STRIP LIGHT FIXTURE

WARNING, CAUTION, SAFETY AND INSTALLATION INSTRUCTIONS

WARNING

- Installation, service, and maintenance of luminaires should be performed by a qualified licensed electrician.
- Specifications and dimensions are subject to change without notice.

CAUTION

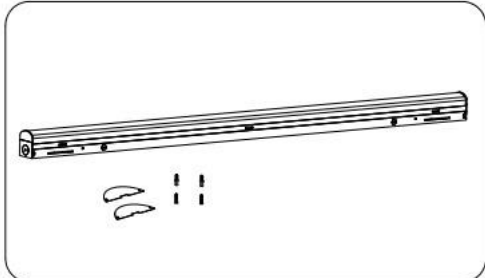
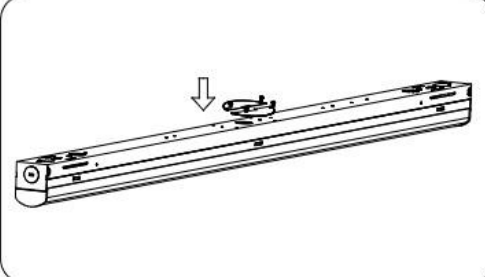
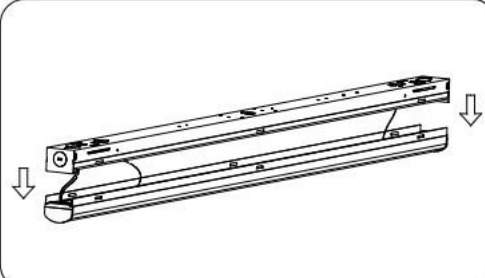
- Do not make or alter any holes in the wiring enclosure or electrical components during installation.
- Verify that supply voltage is correct by comparing it with the label information on the luminaire.
- All wiring connections should be capped with UL approved wire connectors.
- The green ground screw is provided in the proper location. Do not relocate it.
- Minimum 90°C supply conductors.

NOTICE

- Account for small parts and destroy packing material, as these may be hazardous to children.

Installation Instructions

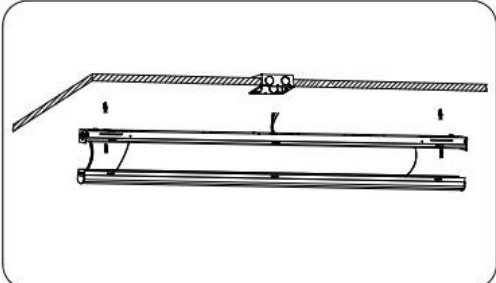
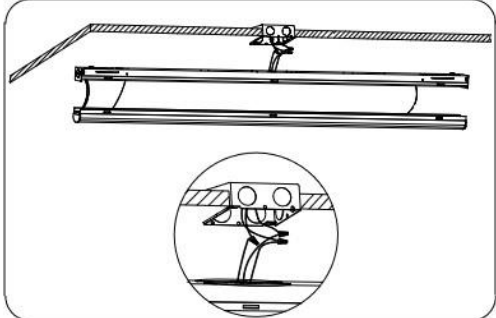
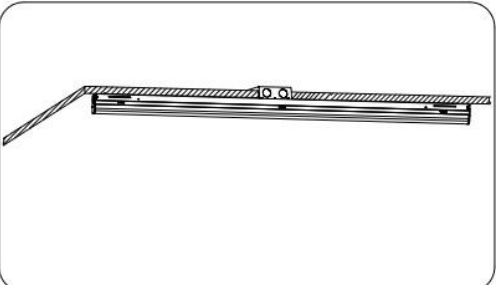
Surface Mounting

<p>1. Remove the light fixture and accessories package from the box.</p>	
<p>2. Attach the junction box covers to the fixture.</p>	
<p>3. Separate the module board from the fixture base.</p>	

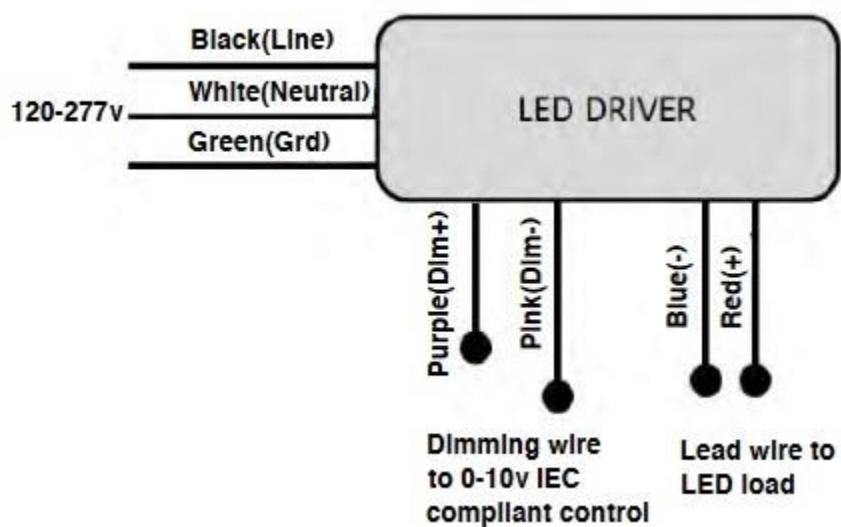


COLOR/WATTAGE SELECTABLE LED STRIP LIGHT FIXTURE

WARNING, CAUTION, SAFETY AND INSTALLATION INSTRUCTIONS

<p>4. Secure the fixture to the ceiling with the provided plastic sleeve and screws.</p>	
<p>5. Wire to the main supply power through the junction box.</p>	
<p>6. Reattach the module board to the fixture base to finish the installation.</p>	

Wiring Diagrams





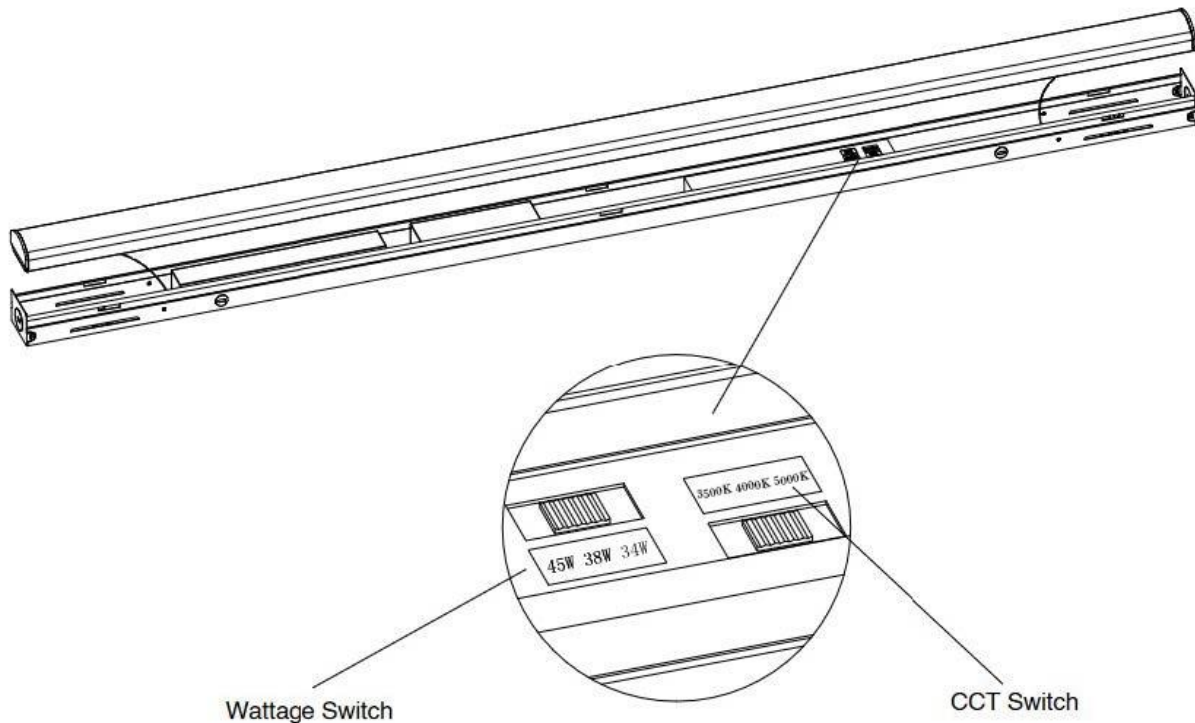
Field-Adjustable Wattage & CCT

The color temperature and lumen output can be adjusted respectively using the two DIP switches. Each switch has 3 options (left, middle, right), corresponding to 3 color temperatures or wattages, which can perform the desired combination.

Factory Settings:

- PLT-90416 – 5000K, 25W
- PLT-80039 – 5000K, 30W
- PLT-80065 – 5000K, 45W
- PLT-80040 – 5000K, 54W
- PLT-80041 – 5000K, 90W

1. DIP switches are located on the driver box.
2. Select a wattage and color temperature by sliding the switch left or right respectively to the desired value.



Values on wattage switch are for reference only.

⚠ WARNING

- Before installing, servicing, or performing routine maintenance upon this equipment, follow these general precautions.
- To reduce the risk of death, personal injury, or property damage from fire, electric shock, falling parts, cuts/abrasions, and other hazards, read all warnings and instructions included with and on the fixture box and all fixture labels.



COLOR/WATTAGE SELECTABLE LED STRIP LIGHT FIXTURE

WARNING, CAUTION, SAFETY AND INSTALLATION INSTRUCTIONS

- Proper grounding is required to ensure safety.
- Power must be turned off at the breaker before installation or maintenance.
- This product must be installed in accordance with the applicable installation code by a person familiar with the construction and operation of the product and the hazards involved.
- Wear gloves and eye protection at all times while installing, servicing, or performing maintenance on the luminaire, and avoid direct eye exposure to the light source while it is on.
- To prevent wiring damage or abrasion, do not expose wiring to edges of sheet metal or other sharp objects.
- Do not install damaged product. Inspect luminaire for damage that may have occurred during transit. If damaged, contact the manufacturer immediately.
- These instructions do not purport to cover all details or variations in equipment nor to provide every possible contingency to meet in connection with installation, operation, or maintenance. Should further information be desired or should particular problems arise which are not covered sufficiently for the purchaser's or owner's purposes, contact the manufacturer.

⚠ ADVERTENCIA

- Antes de instalar, reparar o realizar el mantenimiento de rutina de este equipo, siga estas precauciones generales.
- Para reducir el riesgo de muerte, lesiones personales o daños a la propiedad por fuego, descarga eléctrica, caída de piezas, cortes / abrasiones y otros peligros, lea todas las advertencias y instrucciones incluidas con y en la caja del dispositivo y todas las etiquetas del dispositivo.
- Se requiere una conexión a tierra adecuada para garantizar la seguridad.
- Se debe apagar la energía en el disyuntor antes de la instalación o el mantenimiento.
- Este producto debe ser instalado de acuerdo con el código de instalación aplicable por una persona familiarizada con la construcción y operación del producto y los peligros involucrados.
- Utilice guantes y protección para los ojos en todo momento durante la instalación, el servicio o el mantenimiento de la luminaria, y evite la exposición directa de los ojos a la fuente de luz mientras está encendida.
- Para evitar daños o abrasiones en el cableado, no exponga el cableado a bordes de láminas de metal u otros objetos afilados.
- No instale un producto dañado. Inspeccione la luminaria en busca de daños que puedan haber ocurrido durante el tránsito. Si está dañado, comuníquese con el fabricante de inmediato.
- Estas instrucciones no pretenden cubrir todos los detalles o variaciones en el equipo ni proporcionar todas las posibles contingencias a cumplir en relación con la instalación, operación o mantenimiento. Si desea obtener más información o si surgen problemas particulares que no están suficientemente cubiertos para los propósitos del comprador o propietario, comuníquese con el fabricante.