



10" COLOR SELECTALBE LED DOWNLIGHT W/ NIGHTLIGHT

WARNING, CAUTION, SAFETY AND INSTALLATION INSTRUCTIONS

WARNING


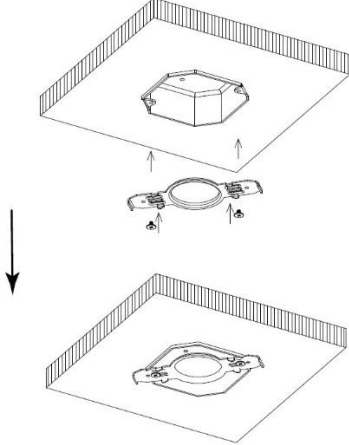
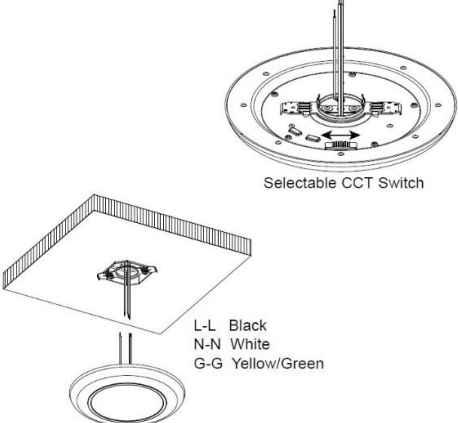
- Installation, service, and maintenance of luminaires should be performed by a qualified licensed electrician.

CAUTION

- Do not make or alter any holes in the wiring enclosure or electrical components during installation.
- This device is not intended for use with emergency exits.
- Minimum 90°C supply conductors.

Installation Instructions

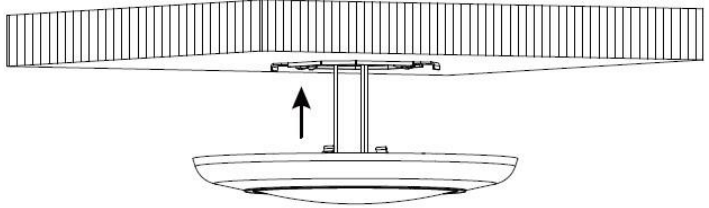
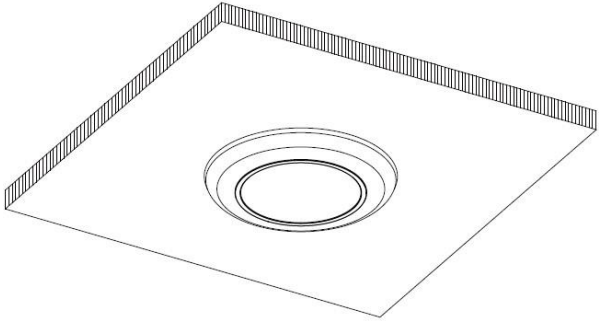
Surface Mount

<p>Step 1. Open the package and take out the following accessories:</p>	 <p>Multi-functional bracket *1 M4x6 Screw *2 Wire nut*3</p>
<p>Step 2. Attach the multifunctional bracket to the junction box (not provided) with two M4x6 screws.</p>	
<p>Step 3. Select the desired CCT by sliding the switch on the top of the disk light to your desired setting. Next, take out the AC wires from the junction box and connect them to the terminal connectors using wire nuts:</p> <ul style="list-style-type: none">• Black wire (L) to black wire (L)• White wire (N) to white wire (N)	 <p>Selectable CCT Switch</p> <p>L-L Black N-N White G-G Yellow/Green</p>



10" COLOR SELECTABLE LED DOWNLIGHT W/ NIGHTLIGHT

WARNING, CAUTION, SAFETY AND INSTALLATION INSTRUCTIONS

<p>Step 4. Make sure the wires are well connected and tuck them back into the junction box, then attach the disk light to the multifunctional bracket.</p>	
<p>Step 5. Turn on the power to verify your successful installation.</p> <p>For DOWNLIGHT ON only: Flip the light switch ON.</p> <p>For Night Light ON only: Turn ON the downlight. Flip the light switch OFF, then back ON again.</p> <p>Reset to Downlight ON from Night Light: Flip the light switch OFF and hold for 5 seconds to reset to Downlight ON</p>	

⚠ WARNING

- Before installing, servicing, or performing routine maintenance upon this equipment, follow these general precautions.
- To reduce the risk of death, personal injury, or property damage from fire, electric shock, falling parts, cuts/abrasions, and other hazards, read all warnings and instructions included with and on the fixture box and all fixture labels.
- Proper grounding is required to ensure safety.
- Power must be turned off at the breaker before installation or maintenance.
- This product must be installed in accordance with the applicable installation code by a person familiar with the construction and operation of the product and the hazards involved.
- Wear gloves and eye protection at all times while installing, servicing, or performing maintenance on the luminaire, and avoid direct eye exposure to the light source while it is on.
- To prevent wiring damage or abrasion, do not expose wiring to edges of sheet metal or other sharp objects.
- Do not install damaged product. Inspect luminaire for damage that may have occurred during transit. If damaged, contact the manufacturer immediately.
- These instructions do not purport to cover all details or variations in equipment nor to provide every possible contingency to meet in connection with installation, operation, or maintenance. Should further information be desired or should particular problems arise which are not covered sufficiently for the purchaser's or owner's purposes, contact the manufacturer.

⚠ ADVERTENCIA

- Antes de instalar, reparar o realizar el mantenimiento de rutina de este equipo, siga estas precauciones generales.



10" COLOR SELECTALBE LED DOWNLIGHT W/ NIGHTLIGHT WARNING, CAUTION, SAFETY AND INSTALLATION INSTRUCTIONS

- Para reducir el riesgo de muerte, lesiones personales o daños a la propiedad por fuego, descarga eléctrica, caída de piezas, cortes / abrasiones y otros peligros, lea todas las advertencias y instrucciones incluidas con y en la caja del dispositivo y todas las etiquetas del dispositivo.
- Se requiere una conexión a tierra adecuada para garantizar la seguridad.
- Se debe apagar la energía en el disyuntor antes de la instalación o el mantenimiento.
- Este producto debe ser instalado de acuerdo con el código de instalación aplicable por una persona familiarizada con la construcción y operación del producto y los peligros involucrados.
- Utilice guantes y protección para los ojos en todo momento durante la instalación, el servicio o el mantenimiento de la luminaria, y evite la exposición directa de los ojos a la fuente de luz mientras está encendida.
- Para evitar daños o abrasiones en el cableado, no exponga el cableado a bordes de láminas de metal u otros objetos afilados.
- No instale un producto dañado. Inspeccione la luminaria en busca de daños que puedan haber ocurrido durante el tránsito. Si está dañado, comuníquese con el fabricante de inmediato.
- Estas instrucciones no pretenden cubrir todos los detalles o variaciones en el equipo ni proporcionar todas las posibles contingencias a cumplir en relación con la instalación, operación o mantenimiento. Si desea obtener más información o si surgen problemas particulares que no están suficientemente cubiertos para los propósitos del comprador o propietario, comuníquese con el fabricante.