



WARNING

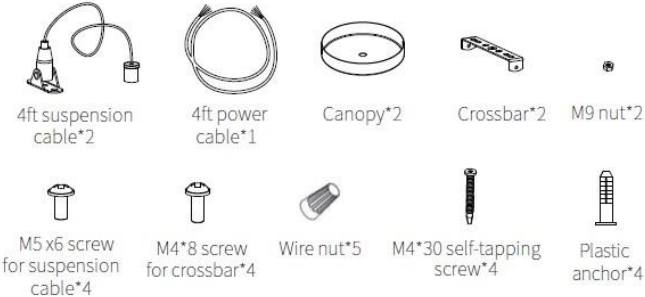
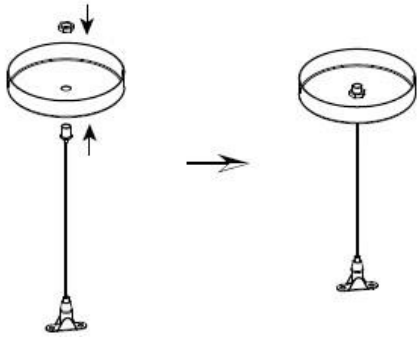
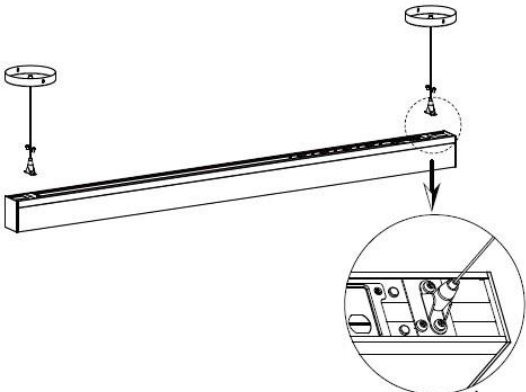
- Installation, service, and maintenance of luminaires should be performed by a qualified licensed electrician.
- Read these instructions carefully before installation.

NOTICE

- Do not install the luminaire in a location where it will be exposed to harmful chemicals such as sulphur, acid, or halogen.

Installation Instructions

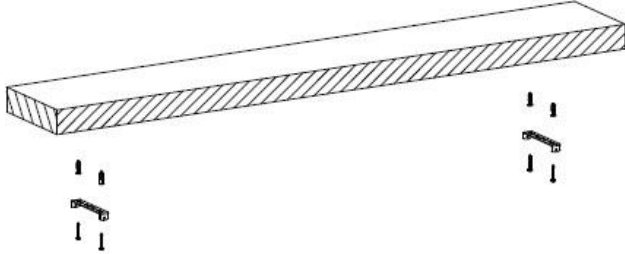
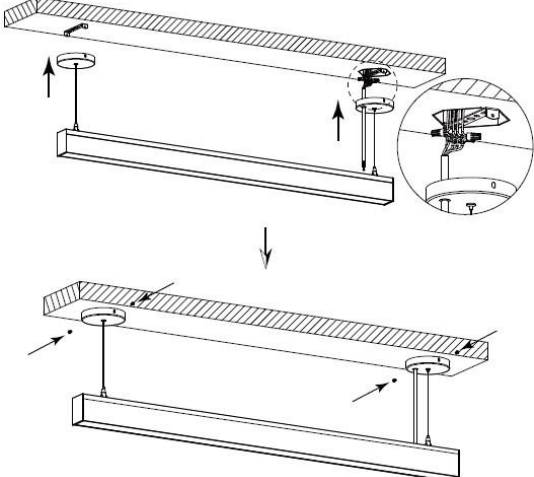
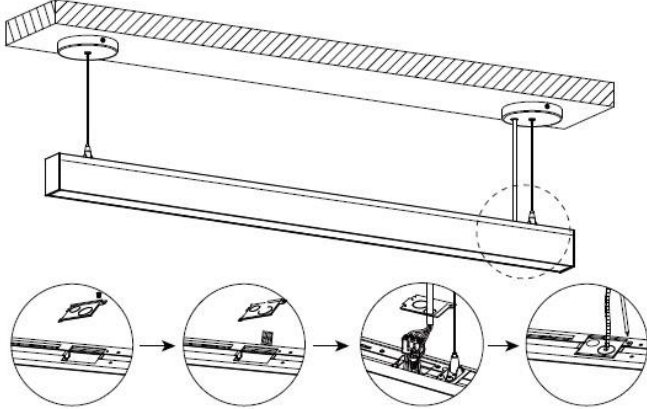
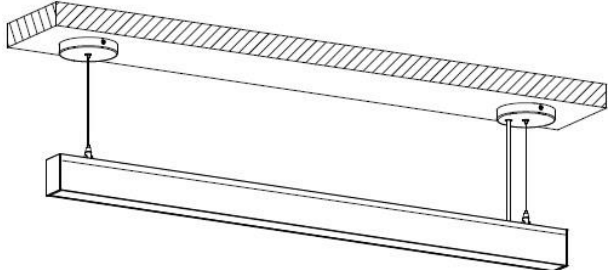
Installation

<p>Step 1. Open the accessory package and take out the accessories as follows:</p>	 <p>4ft suspension cable*2 4ft power cable*1 Canopy*2 Crossbar*2 M9 nut*2</p> <p>M5 x6 screw for suspension cable*4 M4*8 screw for crossbar*4 Wire nut*5 M4*30 self-tapping screw*4 Plastic anchor*4</p>
<p>Step 2. Take out the two canopies, insert the suspension cables, and fasten them with M9 nuts.</p>	
<p>Step 3. Use M5x6 screws (provided) to attach the suspension cables to the fixture's two movable brackets.</p>	



ARCHITECTURAL LED LINEAR FIXTURES

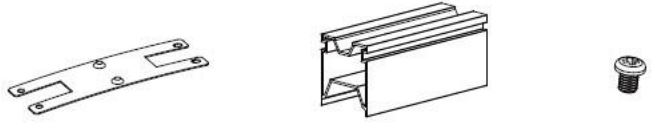
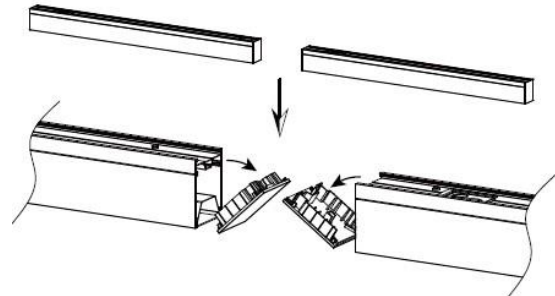
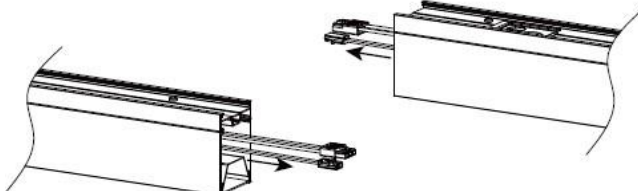
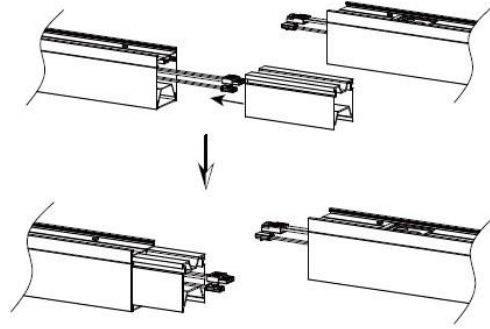
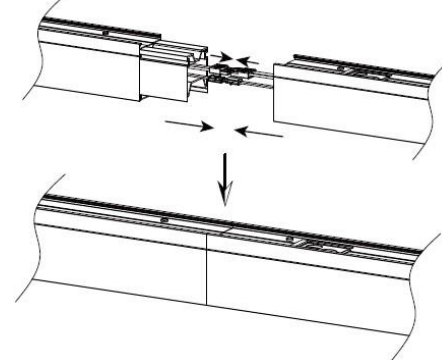
WARNING, CAUTION, SAFETY AND INSTALLATION INSTRUCTIONS

<p>Step 4. Use the anchors and self-tapping screws (provided) to attach the two crossbars to the mounting surface.</p>	
<p>Step 5. Thread the power cable (provided) through the canopy with the power feed hole and wire to the J-box (not provided):</p> <ul style="list-style-type: none">○ Black = L○ White = N○ Green or Yellow = G○ Purple = Dim+○ Pink = Dim- <p>After the wiring connections are made, use eight M4 screws to attach the two canopies to the crossbars.</p>	
<p>Step 6. Open the back cover of the fixture and take out the terminal block. Thread the other end of the power cable to the outlet of the back cover to make wiring connections:</p> <ul style="list-style-type: none">○ White wire into terminal N○ Black wire into terminal L○ Green wire into grounding terminal <p>Pink and purple wires are for dimming. If you are not using the dimming feature, cap these wires with wire caps. After the wiring connections are made, reattach the back cover to the fixture.</p>	
<p>Step 7. To adjust the height of the fixture, press the button on the gripper, then pull or push the cable carefully to raise or lower it. Once the fixture height has been adjusted, turn on the power to verify your successful installation.</p>	



Connecting Multiple Fixtures (Optional)

Linkable wattage of connected fixtures should not exceed 600W @120V, 1200W @277V.

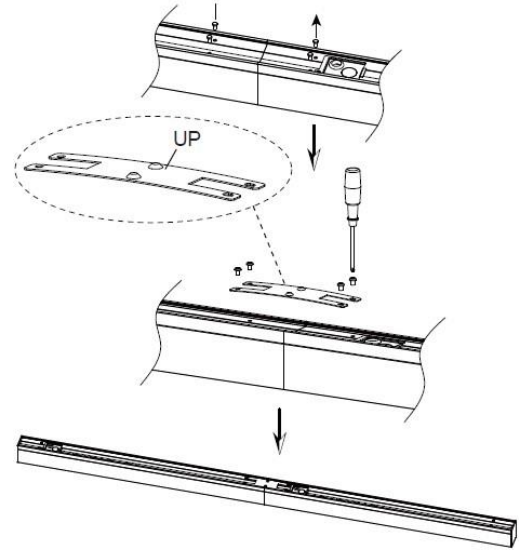
<p>Step 1. Open the accessory package and take out the accessories as follows:</p>	 <p>Connecting bracket *1 Joiner*1 M5*6 screw*4</p>
<p>Step 2. Remove both fixture end caps and align the non-powered end to the powered end.</p>	
<p>Step 3. Take out the 3-pin cable quick connector and 2-pin dimming wire quick connector from the fixtures.</p>	
<p>Step 4. Feed the quick connectors through the joiner, then slide one end of the joiner into the fixture.</p>	
<p>Step 5. Connect the male and female quick connectors and slide other end of the joiner into the fixture, then push them together until there is no gap between the fixtures.</p>	



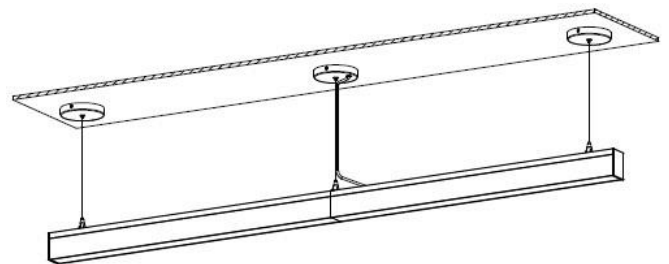
ARCHITECTURAL LED LINEAR FIXTURES

WARNING, CAUTION, SAFETY AND INSTALLATION INSTRUCTIONS

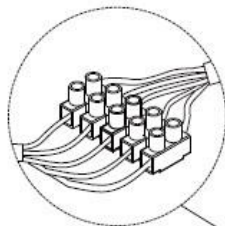
Step 6. Remove the silicone plugs from the fixtures and attach the connecting bracket to the fixtures using M5x6 screws (provided).



Step 7. Make sure that the maximum continuous run current does not exceed 5amps. The power feed can be in the middle or at either end.



Wiring Diagram



Black: AC-L
White: AC-N
Green or Yellow/Green: Grounding
Purple: Dim +
Pink: Dim-

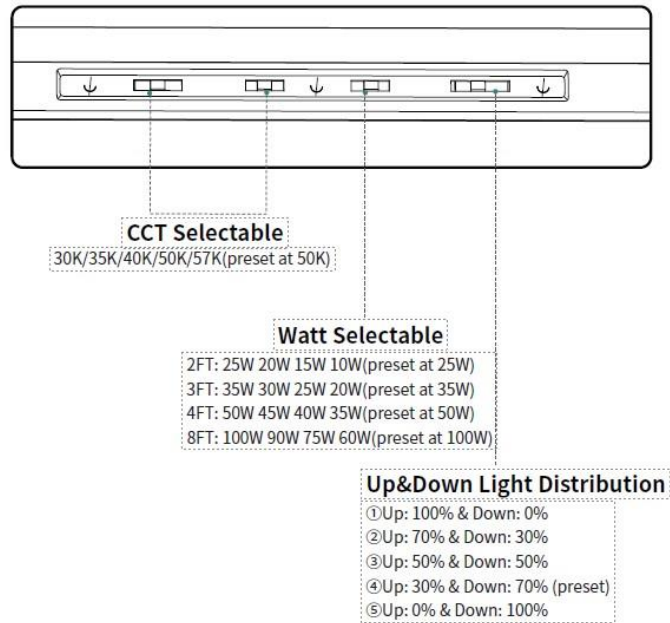


If not using the dimming function, cap the purple/pink wires with wire connectors.



Wattage, CCT, & Distribution Switches

Important Note: Please ensure fixture power is OFF when CHANGING Wattage, CCT, and Distribution selections.



⚠ WARNING

- Before installing, servicing, or performing routine maintenance upon this equipment, follow these general precautions.
- To reduce the risk of death, personal injury, or property damage from fire, electric shock, falling parts, cuts/abrasions, and other hazards, read all warnings and instructions included with and on the fixture box and all fixture labels.
- Proper grounding is required to ensure safety.
- Power must be turned off at the breaker before installation or maintenance.
- This product must be installed in accordance with the applicable installation code by a person familiar with the construction and operation of the product and the hazards involved.
- Wear gloves and eye protection at all times while installing, servicing, or performing maintenance on the luminaire, and avoid direct eye exposure to the light source while it is on.
- To prevent wiring damage or abrasion, do not expose wiring to edges of sheet metal or other sharp objects.
- Do not install damaged product. Inspect luminaire for damage that may have occurred during transit. If damaged, contact the manufacturer immediately.
- These instructions do not purport to cover all details or variations in equipment nor to provide every possible contingency to meet in connection with installation, operation, or maintenance. Should further information be desired or should particular problems arise which are not covered sufficiently for the purchaser's or owner's purposes, contact the manufacturer.

⚠ ADVERTENCIA



ARCHITECTURAL LED LINEAR FIXTURES

WARNING, CAUTION, SAFETY AND INSTALLATION INSTRUCTIONS

- Antes de instalar, reparar o realizar el mantenimiento de rutina de este equipo, siga estas precauciones generales.
- Para reducir el riesgo de muerte, lesiones personales o daños a la propiedad por fuego, descarga eléctrica, caída de piezas, cortes / abrasiones y otros peligros, lea todas las advertencias y instrucciones incluidas con y en la caja del dispositivo y todas las etiquetas del dispositivo.
- Se requiere una conexión a tierra adecuada para garantizar la seguridad.
- Se debe apagar la energía en el disyuntor antes de la instalación o el mantenimiento.
- Este producto debe ser instalado de acuerdo con el código de instalación aplicable por una persona familiarizada con la construcción y operación del producto y los peligros involucrados.
- Utilice guantes y protección para los ojos en todo momento durante la instalación, el servicio o el mantenimiento de la luminaria, y evite la exposición directa de los ojos a la fuente de luz mientras está encendida.
- Para evitar daños o abrasiones en el cableado, no exponga el cableado a bordes de láminas de metal u otros objetos afilados.
- No instale un producto dañado. Inspeccione la luminaria en busca de daños que puedan haber ocurrido durante el tránsito. Si está dañado, comuníquese con el fabricante de inmediato.
- Estas instrucciones no pretenden cubrir todos los detalles o variaciones en el equipo ni proporcionar todas las posibles contingencias a cumplir en relación con la instalación, operación o mantenimiento. Si desea obtener más información o si surgen problemas particulares que no están suficientemente cubiertos para los propósitos del comprador o propietario, comuníquese con el fabricante.