

Slim Linear



Surface & Recessed | Architectural LED Linear



The revolutionary, sleek design of the LS is aesthetically pleasing to any space. It supports both surface and recessed mounts. It features popular 4", 6" width and 2'* , 4' length. Most of our customers have been struggling with inventory control, thanks to the wattage adjustable and CCT selectable technology, you can now fulfill more orders with fewer SKUs to win more projects! It works with most applications which will be your go-to-choice for offices, schools, hospital, corridor light industrial spaces or anywhere stylish lines of light are desired.



Feature

Ultra thin profile, only 0.94" thickness

Built-in driver

Available in 4", 6" width and 2'* , 4' length

Wattage adjustable (50%/75%/100%)

CCT selectable from 3000K,3500K and 4000K

Available in surface mounted and recessed

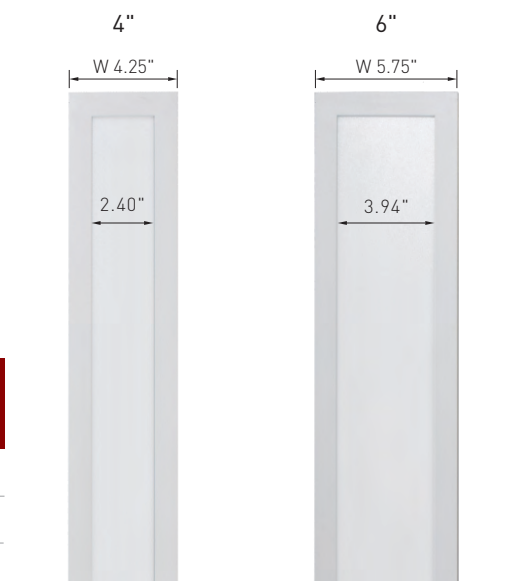


PERFORMANCE

Width	Lumen Output			SKU
	High	Medium	Low	
4"	850lm/ft, 10w/ft	630lm/ft, 7.5w/ft	420lm/ft, 5w/ft	PLT-90451
6"	900lm/ft, 10w/ft	670lm/ft, 7.5w/ft	450lm/ft, 5w/ft	PLT-90452

Remark: 2ft is 20W,not available for wattage adjustable. All efficacy is ±5% base on different CCT. Check the IES file to gain the accurate data .

*Available via Special Order. Call 1-800-624-4488 for more information.



Slim Linear

Surface & Recessed | Architectural LED Linear



PRODUCT PERFORMANCE

Construction

Extruded aluminum housing.

Electrical

LED Driver	Internal driver makes it only 0.94" thickness
Dimming	Powered by high efficiency LED driver, with a standard 1-10V dimming which continuous dims to 10% that works with many types of controls. Tested Dimmers: Lutron ® Diva-Dvtv, Leviton ® IP-710-DL.
THD	<20%
Power Factor	>0.9
Input Voltage	Standard electronic driver is UL recognized and available for 110-277V or 110-347V* AC.

LED System

CRI	Minimum 80 color rendering index
CCT	The choice of 3000K*, 3500K*, 4000K*, 5000K* color temperature or CCT selectable from 3000K, 3500K and 4000K with a great color consistency.
LED	Life Hours Minimum 50,000h with 87.8% of lumen maintenance in 25°C ambient temperature, in compliance with IES LM-80 testing measurements.
Thermal Management	Aluminum housing acting as the heat sink to maximize life.

Mounting

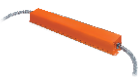
Surface - Surface mounted kit
Recessed - Driver box*

Approvals

- cULus listed for damp locations
- 5-year Limited Warranty

Optional Function

Emergency Option* Optional high voltage 8W emergency LED driver EM-H08170-LBF can be provided. When AC power fails, it immediately switches to the emergency mode, operating for lighting up to 120 minutes. When AC power is restored, it automatically returns to the charging mode which meets critical life-safety lighting requirements. For more info or spec sheet, please visit our website or contact sales.



Emergency Lumen Output:

Fixture Efficacy	Output Power 8w
90lm/w	700 Lumens

Sensor Option*



We can provide a factory-installed integrated sensor system for multi-level control based on motion and/or daylight contribution with BR1810BI-level & daylight harvest microwave sensor from SHARKWARD. For more info or spec sheet, please contact sales.

PRODUCT ORDERING GUIDE

SKUs

PLT-90451 -- 20/30/40W, 30/40/50K, Up to 4022 Lumens, 4" Wide
PLT-90452 -- 20/30/40W, 30/40/50K, Up to 4216 Lumens, 6" Wide

1. Base Model

LS

2. Length

- 2 2feet*
 4 4feet

3. Width

- 4 4 inch
 6 6 inch

4. CCT

- TWT CCT selectable (3000K/3500K/4000K)
Wattage adjustable (50%/75%/100%)
(Only for 4')
- 30E* 3000K
 35E* 3500K
 40E* 4000K
 50E* 5000K

OPTIONAL ORDERING GUIDE

Mounting Option

- Surface Mounted
 Recessed (Order Driver Box Separated)*

Optional Function

- LED Emergency Driver (Order Separated)*
 Sensor*

*Available via Special Order. Please call 1-800-624-4488 for more information.

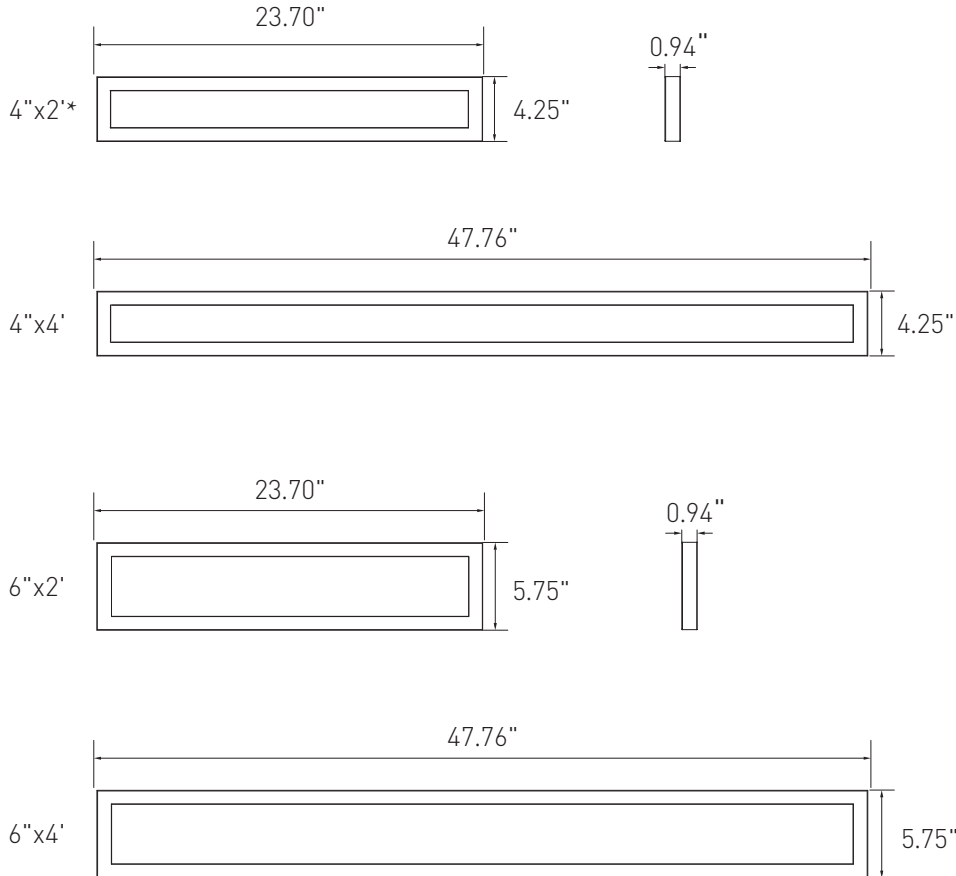
SKU	Wattage	CCT	Lumens	Efficacy
PLT-90451	20	3000K	2005	100
		3500K	2144	107
		4000K	2140	107
	30	3000K	2789	93
		3500K	3027	101
		4000K	2974	99
	40	3000K	3675	92
		3500K	4022	101
		4000K	3875	97
PLT-90452	20	3000K	2110	106
		3500K	2255	113
		4000K	2253	113
	30	3000K	2964	99
		3500K	3212	107
		4000K	3158	105
	40	3000K	3841	96
		3500K	4216	105
		4000K	4067	102

Slim Linear

Surface & Recessed | Architectural LED Linear



DIMENSION



MOUNTING KIT

1. Surface-Surface Mounted Kit



This metal plate is equipped with screw holes for bolting to the ceiling, and 4 small static corner hooks on the mounting plate.

2. Recessed-Driver Box*



This metal box is equipped with screw holes for bolting to the fixture to protect wires.

*Available via Special Order. Please call 1-800-624-4488 for more information.

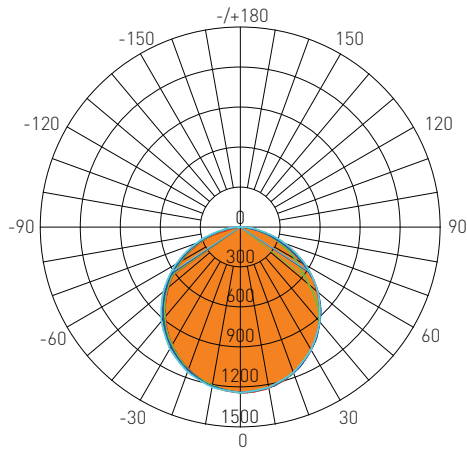
Slim Linear

Surface & Recessed | Architectural LED Linear



DISTRIBUTION DIAGRAM

4"x4'



AVERAGE BEAM ANGLE(50%): 111.2°

Test Number: LS44-40W
 Lumens: 3773.4 Lm
 Watts: 40 W
 LPW: 94.34 Lm/W
 CCT: 4000K

UNIT: cd
 — C0/180, 111.5°
 — C30/210, 106.9°
 — C60/240, 112.4°
 — C90/270, 114.0°

Zonal Flux Diagram

τ	C0	C45	C90	C135	C180
5	1161	1157	1158	1158	1162
10	1144	1142	1149	1143	1145
15	1116	1119	1121	1121	1118
20	1079	1081	1092	1082	1081
25	1034	1040	1046	1039	1035
30	979.6	987.7	999.2	975.3	979.5
35	917.4	926.8	936.4	896.2	915.6
40	848.0	861.8	873.5	814.1	844.4
45	772.4	773.0	796.0	700.0	765.8
50	690.2	658.7	718.5	566.7	681.2
55	603.1	539.1	628.2	454.6	590.0
60	510.9	441.1	537.9	362.9	494.5
65	411.5	356.9	438.3	285.2	393.4
70	309.9	269.0	338.8	209.2	288.9
75	201.6	185.0	240.6	136.6	170.1
80	112.0	107.5	142.4	75.01	50.70
85	25.08	46.18	73.35	29.85	9.004
90	1.375	4.618	4.269	2.435	0.4506

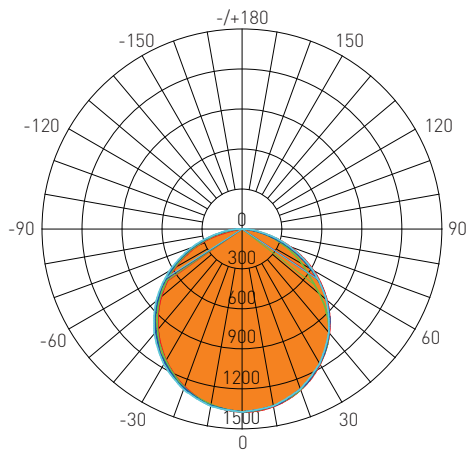
Zonal Lumens

τ	φ total
0-5	27.77
5-10	110.1
10-15	244.1
15-20	425.3
20-25	647.4
25-30	902.8
30-35	1183
35-40	1477
40-45	1777
45-50	2067
50-55	2338
55-60	2580
60-65	2788
65-70	2955
70-75	3078
75-80	3158
80-85	3198
85-90	3211

Luminance cd/(m2)

G(DEG)	C0/180	C90/270
85	3986	11657
80	8930	11361
75	10786	12876
70	12551	13720
65	13486	14365
60	14153	14899
55	14562	15169
50	14873	15483
45	15129	15592

6"x4'



AVERAGE BEAM ANGLE(50%): 111.5°

Test Number: LS46-40W
 Lumens: 3869.8 Lm
 Watts: 40 W
 LPW: 96.75 Lm/W
 CCT: 4000K

UNIT: cd
 — C0/180, 111.7°
 — C30/210, 108.0°
 — C60/240, 112.7°
 — C90/270, 113.7°

Zonal Flux Diagram

τ	C0	C45	C90	C135	C180
5	1386	1382	1383	1384	1389
10	1366	1364	1372	1367	1370
15	1333	1336	1338	1341	1339
20	1289	1291	1304	1295	1295
25	1234	1241	1248	1244	1240
30	1170	1178	1192	1180	1174
35	1096	1105	1116	1105	1098
40	1014	1027	1041	1019	1012
45	924.1	926.5	947.5	879.8	918.3
50	826.7	806.0	854.3	720.4	817.1
55	723.2	665.0	745.9	582.6	708.4
60	613.7	540.6	637.4	463.8	594.0
65	496.7	434.4	518.5	363.1	474.2
70	376.5	328.5	399.5	268.3	350.8
75	250.2	223.0	283.5	177.4	214.9
80	135.1	128.5	167.4	99.54	68.68
85	29.57	54.04	85.37	40.78	18.34
90	0.7982	4.035	3.376	2.877	0.4350

Zonal Lumens

τ	φ total
0-5	33.18
5-10	131.5
10-15	291.7
15-20	508.1
20-25	773.7
25-30	1079
30-35	1415
35-40	1769
40-45	2128
45-50	2478
50-55	2806
55-60	3099
60-65	3351
65-70	3554
70-75	3706
75-80	3804
80-85	3854
85-90	3870

Luminance cd/(m2)

G(DEG)	C0/180	C90/270
85	2924	8444
80	6708	8309
75	8333	9441
70	9489	10070
65	10132	10576
60	10581	10990
55	10870	11210
50	11087	11458
45	11267	11552