

# CARBON MONOXIDE ALARM

10-YEAR SEALED

# BRK<sup>®</sup>

**THE PROFESSIONAL STANDARD**

CAT. **C0710**



## 10-YEAR LITHIUM POWER

10 years of continuous protection under normal operating conditions. No battery change required. Provides audible and visual notice when alarm has reached its end of life.

## TAMPERPROOF SEALED ALARM

Powercell cannot be removed.

## DIGITAL DISPLAY

Convenient display shows visual confirmation and remembers highest CO levels detected. Standby mode displays current room temperature.

## ELECTROCHEMICAL CO SENSOR

Most accurate technology available for detecting carbon monoxide as compared to other sensing technologies

## SILENCE FEATURE

Silences nuisance alarms.

## END OF LIFE SIGNAL

Provides audible notice when alarm needs to be replaced.

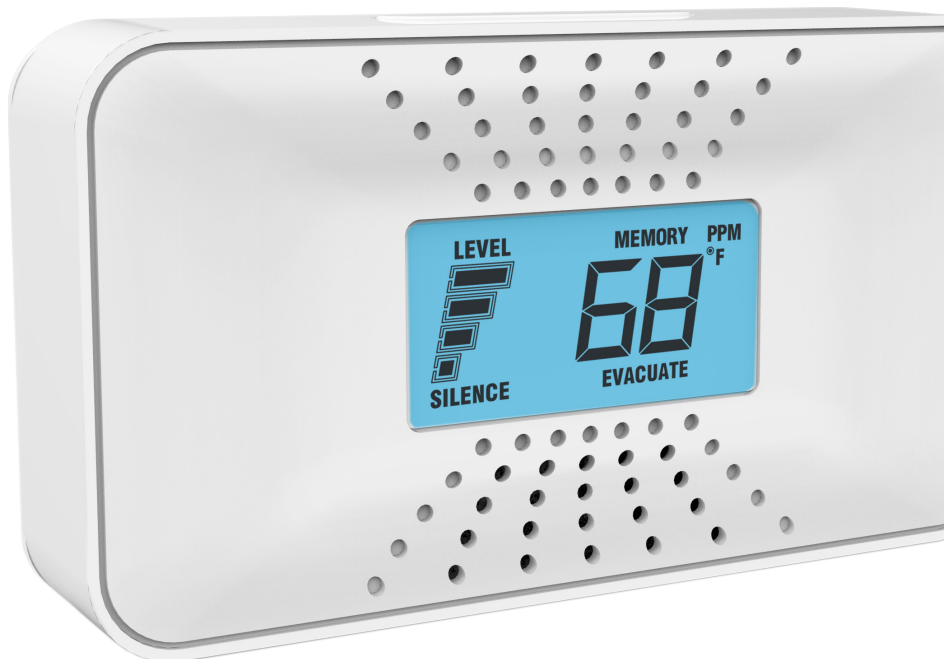
## Sealed 3V Lithium Power

### Description:

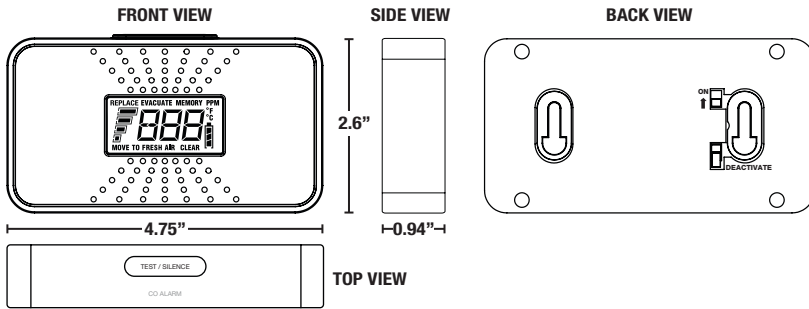
First Alert Model C0710 is a sealed 3V lithium power single station carbon monoxide alarm specifically designed for residential and institutional applications including sleeping rooms of hospitals, hotels, motels, dormitories, and other multifamily dwellings as defined in standard NFPA 101. Model C0710 has been fully tested and complies with, UL2034, NFPA 720, and NFPA 101 and other agencies that model their codes after the above agencies. It meets building codes where battery operated carbon monoxide alarms with digital display and silence are required.

BRK Model C0710 is a state of the art carbon monoxide alarm designed to provide early warning of the presence of carbon monoxide. It features an electrochemical carbon monoxide sensor and an 85dB horn. It also features a backlit digital display that shows visual confirmation of CO levels, Peak Level Memory, current room temperature and other operating conditions. Backlight illuminates when test button is pressed or unit is in alarm.

The sealed 10-year lithium power cell is permanently installed. A full function test switch and a silence feature silences unwanted nuisance alarms. The low power warning indicator will cause the alarm to "chirp" when it reaches the end of its service life and needs to be replaced. The compact, low profile design complements any décor. Designed for wall mounting or tabletop placement (3ft. height or less). Includes mounting anchors and screws.



# CAT. C0710



## ARCHITECTURAL AND ENGINEERING SPEC

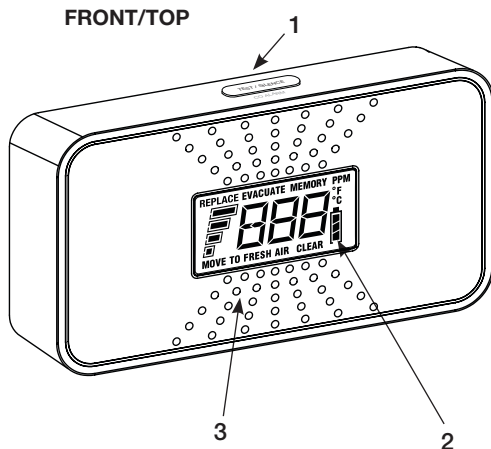
The carbon monoxide alarm shall be a BRK/First Alert Model C0710 and shall provide at a minimum the following features and functions:

1. An electrochemical CO sensor.
2. The unit shall be capable of self restoring.
3. Powered by a sealed 10-year lithium powercell with a tamperproof design. The tamperproof design shall not allow the powercell to be removed. A low power warning indicator shall cause the alarm to "chirp" when it reaches the end of its service life. This signal should be capable of temporarily being silenced for up to 2 days. After about 2 days, the signal will resume. After about 2-3 weeks the signal cannot be silenced.
4. A test/silence button to check all alarm functions and to silence any nuisance alarms.
5. The unit shall have a digital display visually showing CO levels when in alarm, peak CO memory feature, room temperature and other operating conditions.
6. The CO sensor is adjusted not to detect CO levels below 30 PPM and will not alarm when exposed to constant levels of 30 PPM for 30 days. It will alarm at the following levels: 400 PPM CO between 4 and 15 minutes, 150 PPM CO between 10 and 50 minutes and 70 PPM CO between 60 and 240 minutes.
7. The unit shall be capable of operating between 40°F (4°C) and 100°F (38°C) and relative humidity between 10% and 95%.
8. The unit shall contain mounting hardware and shall be listed for wall mounting or tabletop operation (3 ft. height or less).
9. The unit shall at a minimum meet the requirements of UL2034, NFPA 720, NFPA 101, ICC.

## INSTALLATION OF ALARM

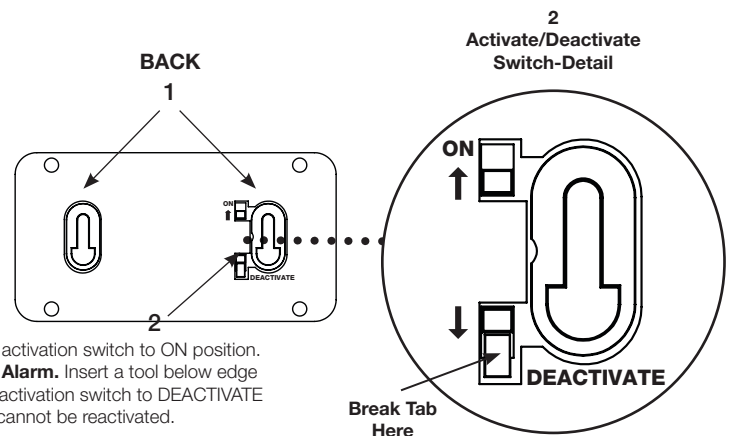
Installation of this CO alarm must conform to NFPA 720. Always check your local building codes. Follow all instructions for placement as outlined in the user's manual in sections titled "Recommended Locations for CO Alarms" and "Locations to Avoid for CO Alarms".

### THE PARTS OF THIS CO ALARM



- FRONT/TOP OF ALARM**
1. Test/Silence button
  2. Digital Display with Blue Backlight
  3. Horn - Behind Cover
- BACK OF ALARM**
1. Wall Mounting Slots
  2. Activate/Deactivate Switch

**Activating the Battery.** Move the activation switch to ON position. **To Permanently Deactivate The Alarm.** Insert a tool below edge where shown and break tab. Slide activation switch to DEACTIVATE mode. NOTE: Once deactivated it cannot be reactivated.



## TECHNICAL SPECS

Alarm Dimensions:	4.75"W x 2.63"H x 0.94"D
Weight:	4.8 oz
Operating Voltage:	3V Lithium Power Cell
Temperature Range:	40°F (4°C) to 100°F (38°C)
Humidity Range:	10% to 95% relative humidity (RH)
Audio Alarm:	85dB at 10 feet
Test/Silence:	Electronically simulates carbon monoxide condition, causing the unit to alarm. Press and hold test/silence button
Alarm Reset:	Automatic when CO clears
CO Sensor:	Electrochemical
Indicator Lights/Sounds:	
DC Power:	Digital displays shows room temperature
Local Alarm:	Audio alarm and digital display CO readings/messages
End of Life:	Replace alarm 120 months after installation
Digital Display	Blue back light
Listing:	Listed to UL2034 Standard

## SHIPPING SPECS

Individual Clamshell Dimensions	7.00"W x 1.38"D 8.38"H
Weight	0.48 lbs.
Cube	0.03 ft3
UPC	0 29054 01426 9
Master Carton Dimensions	7.25"L x 4.25"W x 9.06"H
Master Pack	3
Weight	1.69 lbs.
Cube:	0.16 ft3
I2of5:	300 29054 01426 0
Pallet Information	
Cases per Layer	56
Number of Layers:	5
Cases per Pallet:	280
Units per Pallet:	840
Cube:	51.0 ft3
Weight:	538 lbs.



©2015 BRK Brands, Inc. a Jarden Corporation Company (NYSE: JAH)  
3901 Liberty Street Road  
Aurora, IL 60504-8122  
All rights reserved

First Alert is a registered trademark of the First Alert Trust  
BRK is a registered trademark of BRK Brands, Inc.  
CM3254