

7 To finish installation
Adjust the wire length with the wire regulator to the desired height to finish the installation.

1 To assemble the wire to the body
After passing the wire through the wire grip (Right Picture)
Screw the wire through the thread on the top of the body (Two places)

Wooden Product Features and Precautions



Seasonal contraction or expansion can occur. Natural twists and splits can also occur over time.



Due to the nature of the solid wood, deformation may occur due to humidity and temperature changes, so please be careful of sudden temperature and humidity changes.



Dust off frequently with a dry cloth and keep the moisture and chemicals out of the way.



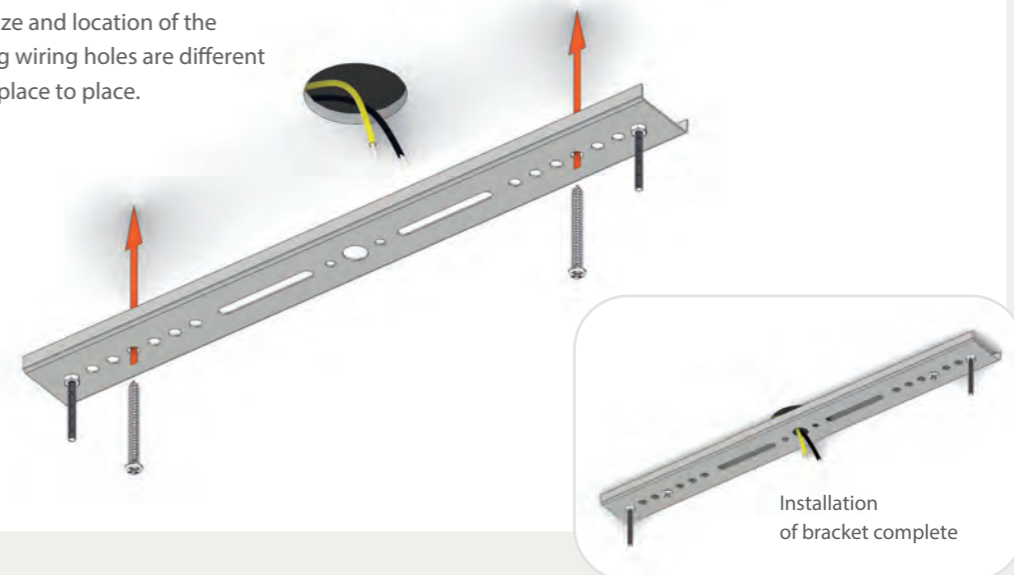
Exposure to direct sunlight and when used on outdoor may cause cracks or deformation.



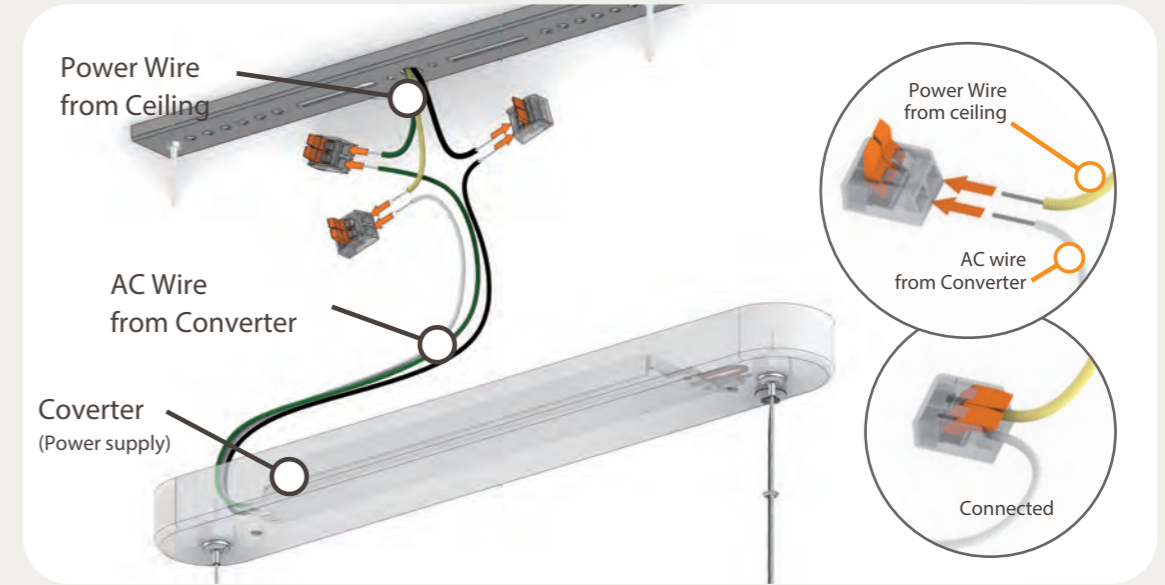
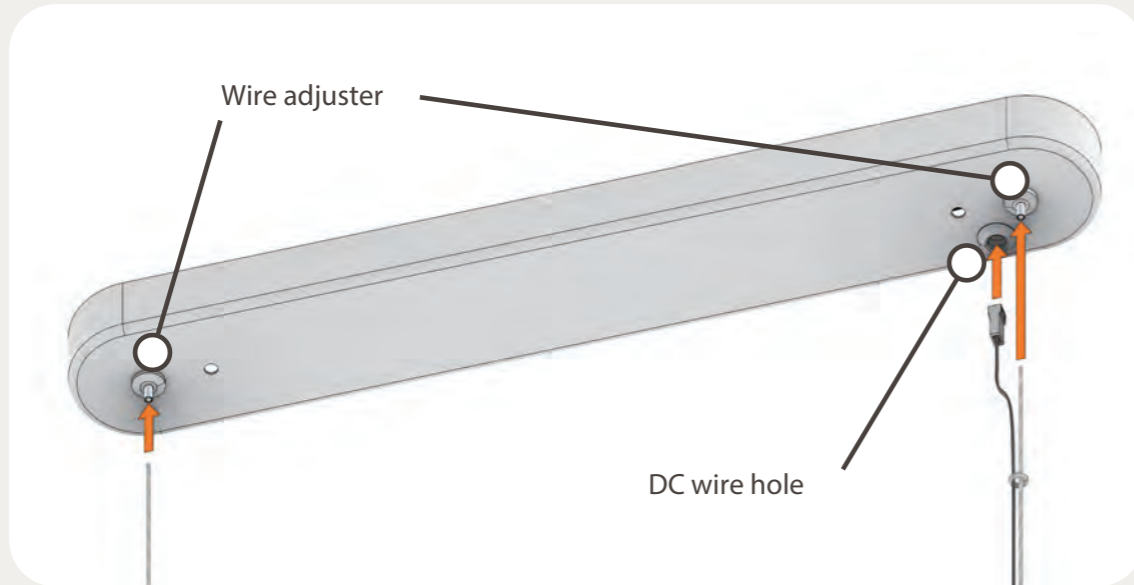
Avoid humid places and places with good ventilation are recommended.

* Please be sure to keep precautions above to prevent deformation of the lighting and keep it for a long time.

The size and location of the ceiling wiring holes are different from place to place.

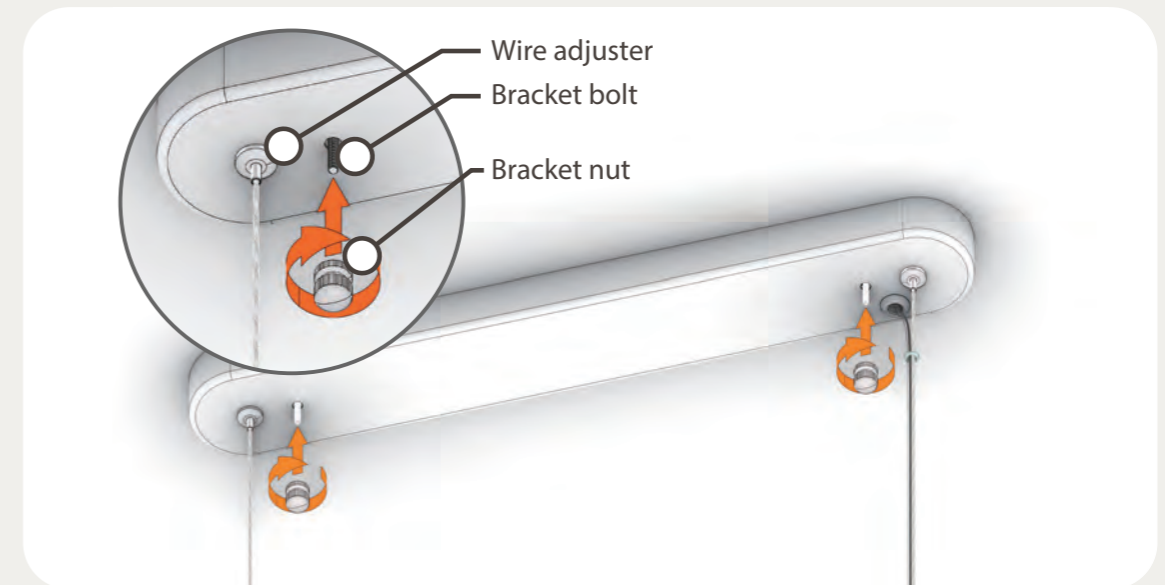
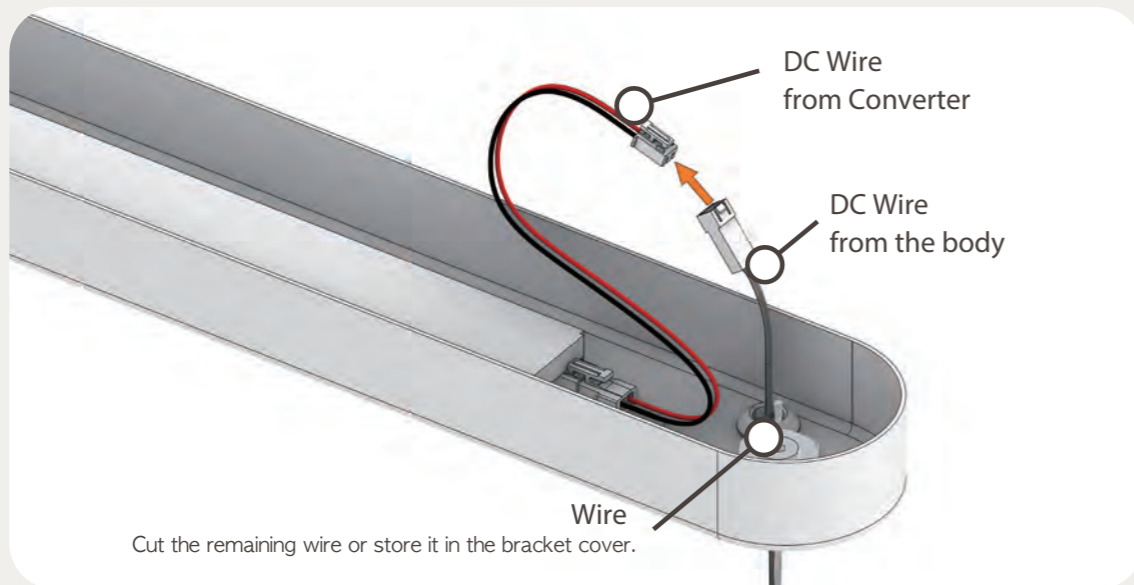


2 To install a bracket
Install the bracket carefully in the ceiling wire hole.
[Caution!] Be sure to turn off the power before working and be careful of electric shock.



4 Connect with Lighting body and Converter
 Insert the DC wire from the lighting body into the DC wire hole.
 Insert the wire into the wire adjuster on the bracket cover. (two places)

3 Connect converter and ceiling wiring
 Connect the converter AC wire (black, white) to the ceiling power wire using the terminal block.



5 Connect DC wire connectors
 Connect the DC wire (transparent) from the body and the connector of the converter the DC wire (red, black).

6 Fixing Ceiling Plate (bracket cover)
 Tighten the bracket bolt by sticking it out of the bracket cover.