



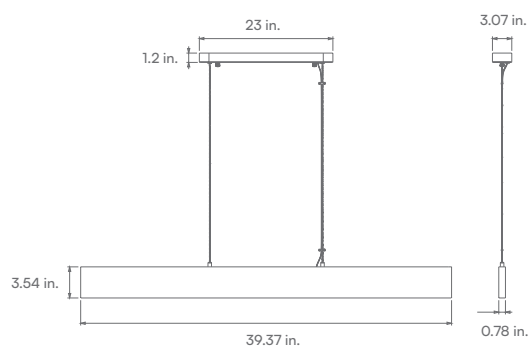
# Artisan skills permeate into your life

It is an Euri premium product that is directly responsible for design and production.



## SPECIFICATION

- **Model No.**  
EWD3-20W113W
- **CRI**  
80 CRI
- **Input Power**  
30 W
- **Wire Length**  
26.24 in.
- **Lumen Output**  
1795 lm
- **Flange Size**  
Left:  
14.96" X 2.16" X 1.06"  
Right:  
15.74" X 3.54" X 1.18"
- **Color Temperature**  
3000K
- **Operating Voltage**  
220Vac / 60Hz
- **Materials**  
Walnut Wood, Aluminium Steel
- **Dimension**  
39.37" X 0.78" X 3.54"



## Euri Linear Wood Pendant 39"



# Euri Linear Wood Pendant 39"

Model No. EWD3-20W113W

*Euri*  
Euri Lighting

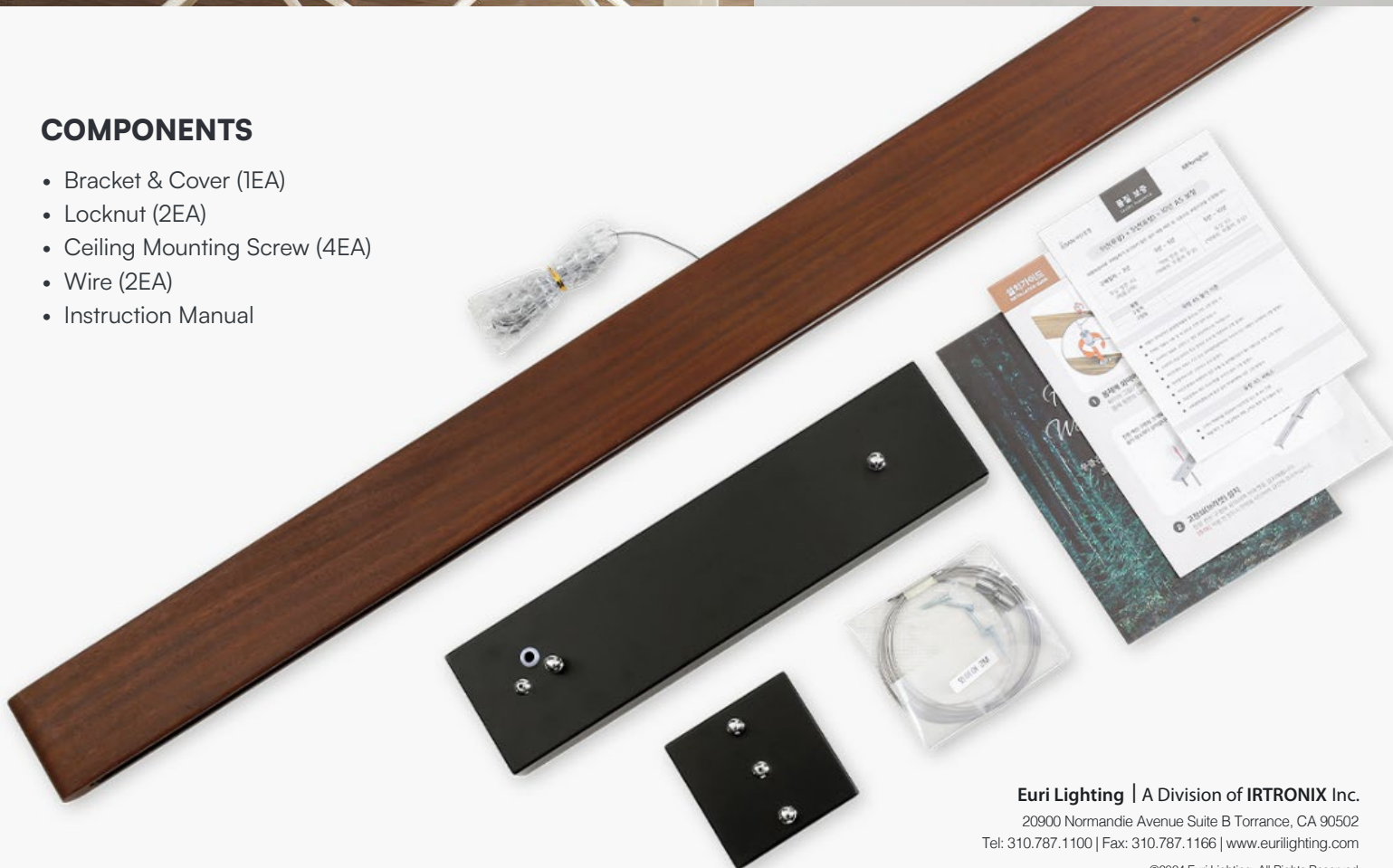


## WALNUT

Walnut is a representative material for high-end furniture, known for its durability, luster, and tight grain structure, making it resistant to moisture and warping.

## COMPONENTS

- Bracket & Cover (1EA)
- Locknut (2EA)
- Ceiling Mounting Screw (4EA)
- Wire (2EA)
- Instruction Manual



**Euri Lighting** | A Division of **IRTRONIX Inc.**  
20900 Normandie Avenue Suite B Torrance, CA 90502  
Tel: 310.787.1100 | Fax: 310.787.1166 | [www.eurilighting.com](http://www.eurilighting.com)

©2024 Euri Lighting. All Rights Reserved