

LINE 39

LED LINEAR WOOD PENDANT

Model No. EWD3-20W113W

39" Linear Wood Pendant Light. Crafted from high-quality Walnut wood, this fixture combines natural beauty with sophisticated design, making it the perfect addition to any contemporary setting. Other notable features include: Warm 3000K-creating a cozy and inviting atmosphere, 100-240V, Energy-efficient 20W consumption, and 30,000 hours of life.



Walnut Wood Housing & Frosted Plastic Lens

N/A
REPLACEMENT



20 Watts



Soft White



Damp Rated



Energy Efficient



Integrated LED Fixture

Electrical Specifications

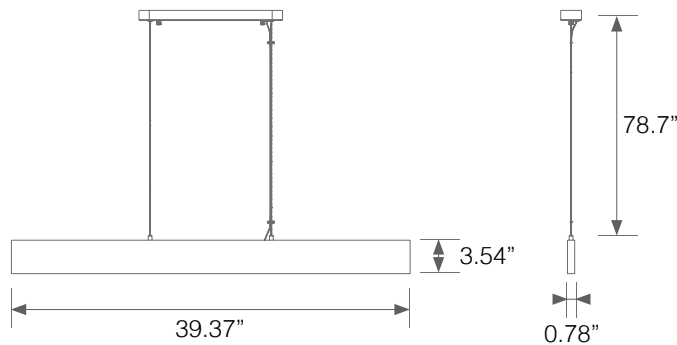
Model No.	Input Power	Input Voltage	Lumen Output	Beam Angle	Center Beam	CCT
EWD3-20W113W	20 W	100-240V	1795 lm	80°	N/A	3000 K

CRI	Luminous Efficacy	Power Factor	Input Current	Base	Lamp Lifespan	Estimated Yearly Cost
80	89 lm/W	0.9	0.1 A	N/A	30,000 Hrs.	\$2.16

Mechanical Specifications

Operational Temperature	Inner Box QTY.	Master Box QTY.	Dimensions(in.)	Wire Length(in.)	UPC Code
-68°F - 140°F	1 pc	4 pcs	39.37"(L) x 0.78"(W) x 3.54"(H)	78.7"	811174038740

Product Dimensions



Product Photometric Data

