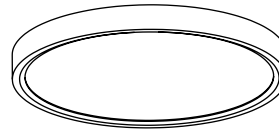




Questions?

For customer service please call us at 1-310-787-1100
Office Hours: 8:00 a.m. – 5:00 p.m. PST Monday-Friday
www.eurilighting.com



**5CCT SELECTABLE
LED CEILING
LIGHT**

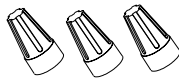
PLEASE REVIEW THE INSTRUCTIONS AND WARNINGS LISTED BELOW PRIOR TO PROPER INSTALLATION

| WARNINGS | CAUTIONS |
|--|--|
| <p>Disconnect the Electrical supply power at the service panel (fuse or circuit breaker box). Failure to do so could result in serious injury or death. Only qualified electricians should install this fixture and the installation MUST conform to the USA Electrical Code and all local codes and ordinances. Ensure that only proper tools, materials, and equipment are used to complete the installation.</p> | <ul style="list-style-type: none"> • Turn off electrical power before starting installation of light fixture. • This product must be installed in accordance with the applicable installation code by a person familiar with the construction and operation of the product and the hazards involved. • Caution risk of fire, consult a qualified electrician to ensure correct branch circuit conductor. • For wet environment recommend applying waterproof silicone to seal around trim and ceiling. |

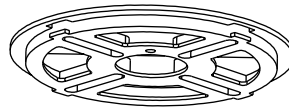
PARTS PACKAGE



a Mounting Screw(2)



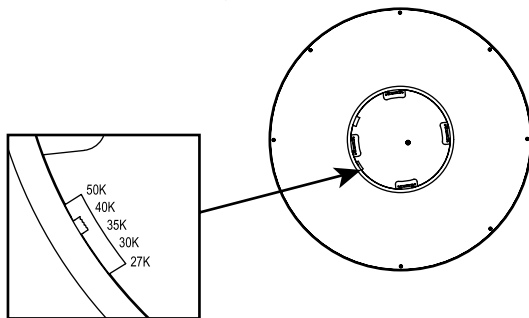
b Wire Nut(3)



c Mounting Bracket(1)

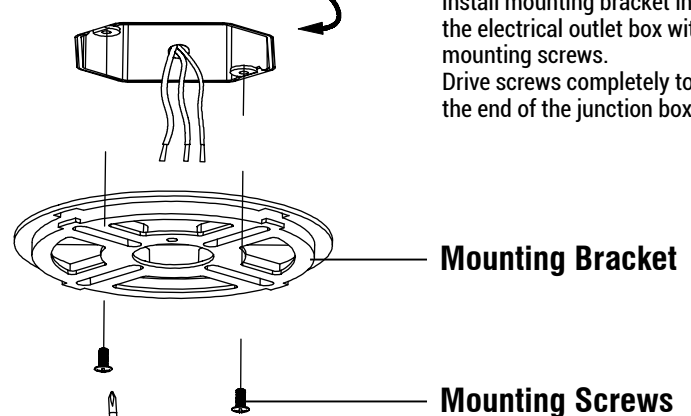
INSTALLATION INSTRUCTIONS

1 Select desired CCT level using switch

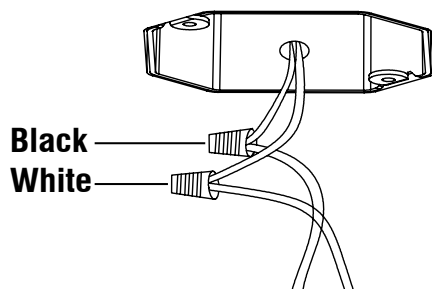


Electrical Outlet Box

2 Prior to installation, install mounting bracket to the electrical outlet box with mounting screws. Drive screws completely to the end of the junction box



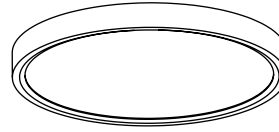
3 Connect supply wires to wires on fixture with wire nutsert push wires into Quick Connector. Connect white to white, black to black





Questions?

For customer service please call us at 1-310-787-1100
Office Hours: 8:00 a.m. – 5:00 p.m. PST Monday-Friday
www.eurilighting.com

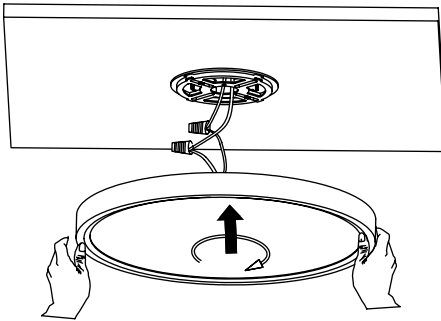


**5CCT SELECTABLE
LED CEILING
LIGHT**

PLEASE REVIEW THE INSTRUCTIONS AND WARNINGS LISTED BELOW PRIOR TO PROPER INSTALLATION

INSTALLATION INSTRUCTIONS

- 4** Attach the fixture to the mounting bracket;
Screw the fixture to the mounting bracket in the direction of assembly disassembly shown on the fixture. Must rotate in place to prevent falling.



- 5** Caulk around the mounting surface edge with silicone sealant

