



PLT-13220



Constant current LED driver
Total power: 12W
Input voltage: 120Vac \pm 10%
Number of outputs: One
UL 8750
IP20 design for dry and damp location
Dimmable with leading / trailing edge dimmer
5 year warranty



ELECTRICAL SPECIFICATIONS

Input voltage range:	120Vac \pm 10%
Frequency:	60Hz
Power factor:	> 0.9 under 120Vac input with 80~100% load condition (for all output voltage)
Inrush current:	20A @120V
Max input current:	0.14A @120V
THD:	< 20% under 120Vac input with 80~100% load condition (for all output voltage)
Load Regulation:	\pm 2%
Line Regulation:	\pm 1%
Output Tolerance:	\pm 5% at full load condition
Turn-on Delay Time:	< 0.5s at full load condition
Overshoot:	< 10% at full load condition
No Load Power Consumption:	< 1W
Withstand voltage:	Input to output, 2,800Vdc, 2mA
Surge rating:	2.5KV for Combination Wave / Ring Wave
Leakage current:	Maximum 0.5mA at 120Vac, 60Hz input
Protection:	Over voltage protection: Hiccup mode. Protection will trigger when load voltage exceed specified output voltage and will auto recover after the fault mode is removed. Over current protection: Hiccup mode. Protection will trigger when load current exceed specified output current and will auto recover after the fault mode is removed. Short circuit protection: Hiccup mode. Protection will trigger when short circuit and will auto recover after the fault mode is removed.

ENVIRONMENTAL SPECIFICATIONS

Operating temperature:	-40 to 60°C
Storage temperature:	-40 to 85°C
Humidity:	5% to 95%
MTBF:	570,000 hours at 40°C ambient (~70°C Case temp)
Life rating:	80,000 hours at 120Vac input, 100% load and 60°C case temperature
Maximum case Temperature :	90°C

SAFETY AND EMC COMPLIANCE

UL/cUL	UL 8750, Type HL
CE	EN61347-1, EN61347-2-13
FCC, 47CFR Part 15	ANSI C63.4:2009 Class B (Consumer Limit)
EN61000-3-2	Harmonic Current Emissions Class C

*Available via Special Order. Call 1-800-624-4488.

PRODUCT SPECIFICATIONS

Model Number	Max output power	Output Current	Output Voltage	OCV	Efficiency at 120V (Typ.)	Remote mounting distance (#18 AWG)	Class 2
NPS-00351*	12W	220mA	27-54V	60V	80%	169 ft	✓
NPS-00352*	12W	300mA	20-40V	44V	80%	128 ft	✓
NPS-00353*	12W	330mA	18-37V	41V	80%	116 ft	✓
PLT-13220	12W	350mA	17-34V	38V	80%	109 ft	✓
NPS-00354*	12W	400mA	15-30V	32V	79%	69 ft	✓
NPS-00355*	12W	500mA	12-24V	28V	79%	76 ft	✓
NPS-00356*	12W	600mA	10-20V	24V	78%	64 ft	✓
NPS-00357*	12W	700mA	8-17V	21V	78%	54 ft	✓

PHYSICAL DIMENSIONS

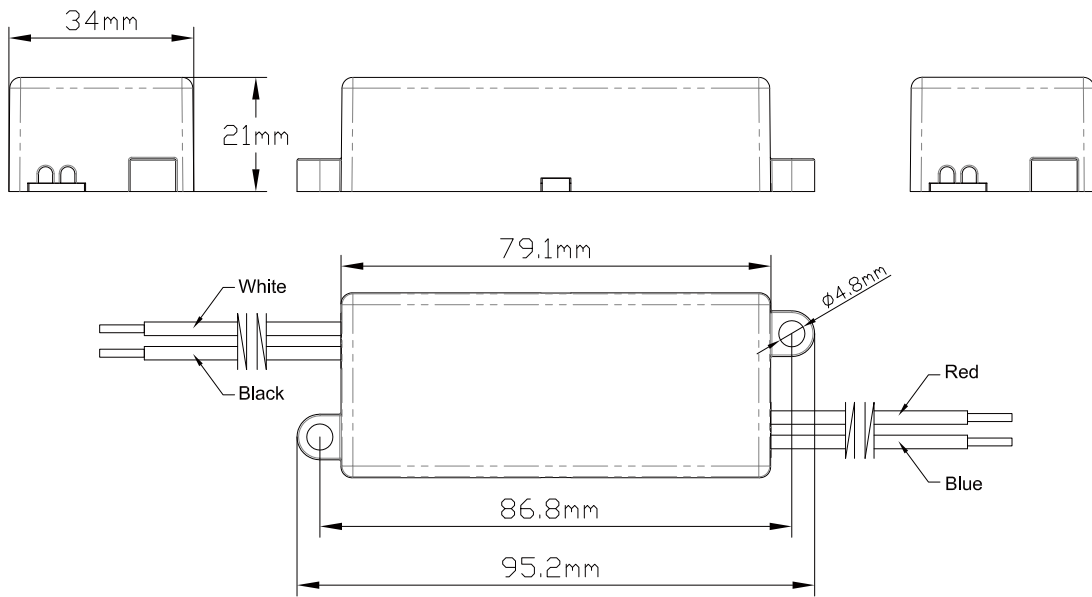
Length (L):	3.75" (95.2mm)
Width (W):	1.34" (34mm)
Height (H):	0.83" (21mm)
Mounting (M):	3.42" (86.8mm)

PACKAGING

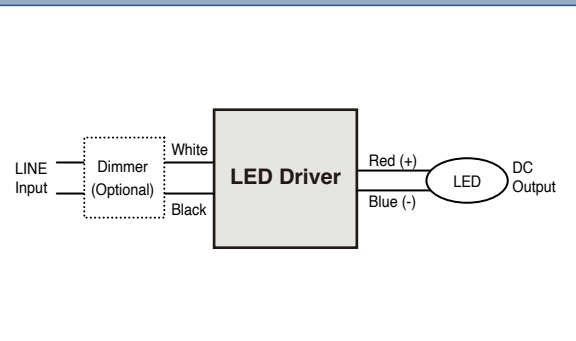
0.08kg / unit ; 100pcs / carton ; 4,200pcs / pallet	
Carton size:	420 x 270 x 135 mm
Carton weight:	9 kg
Case Material:	Plastic

WIRE SPECIFICATIONS

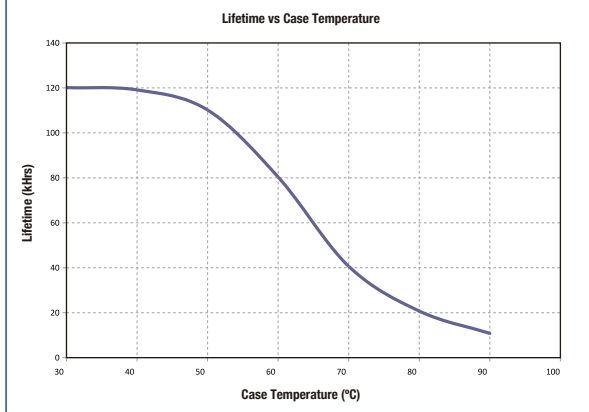
Input:	12", UL 1316 #18AWG (Black and White)
Output:	12", UL 1316 #18AWG (Red and Blue)



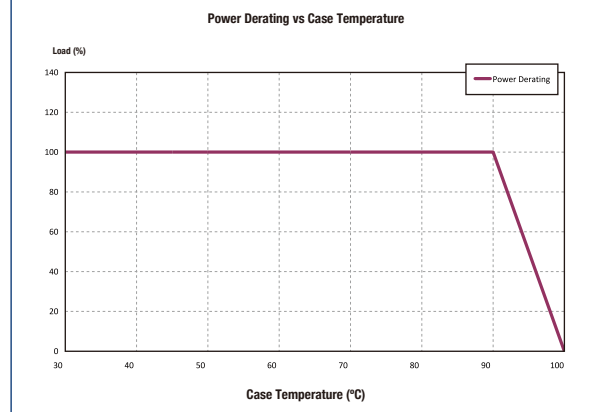
WIRING DIAGRAM



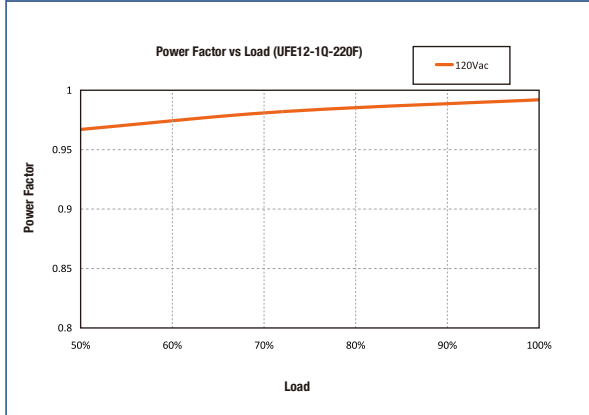
LIFETIME vs CASE TEMPERATURE



POWER DERATING vs CASE TEMPERATURE



POWER FACTOR vs LOAD



EFFICIENCY vs LOAD

