



Color Selectable LED Under Cabinet Lights

DESCRIPTION

Replace existing fluorescent under cabinet lights with these more efficient direct wire LED under cabinet lights that can switch between 2700K, 3000K, 3500K, 4000K, and 5000K outputs.

FEATURES

- Has one on/off rocker switch and one CCT selection slider switch
- High color rendering index (CRI) of 90 makes color appear more accurate
- Hardwires directly into main power
- Dimmable; see dimmer compatibility sheet for a full list of dimmers

LISTINGS

- UL listed for damp locations
- FCC Title 47 CFR, Part 15, Class B
- RoHS

PERFORMANCE

- CRI: 90
- CCT: 2700K, 3000K, 3500K, 4000K, & 5000K
- LED L70 Life Hours: 100,000 hours

ELECTRICAL

- THD: <20%
- Power Factor: >0.8
- Input Voltage: 120V
- Surge protection: 2.0kV

INSTALLATION

- Designed for surface mounting (hardware not included); see installation instructions for more information.

CONSTRUCTION

- Steel construction with white finish
- Frosted polycarbonate lens helps diffuse light output and reduce glare

| | |
|-----------------------|----------------|
| Project name | Type |
| Catalog number | |
| Comments | Voltage |
| Approved by | Date |



WARRANTY

- 5-year limited warranty; see pltsolutions.com for warranty details

APPLICATIONS

- Under and Over Cabinets
- Task Lighting
- Office Lighting
- Display Cases
- Coves

PERFORMANCE SUMMARY

| Item # | Watts* | CCT* | CRI | Voltage | Lens | Dimmable | Length |
|-----------|--------|---|-----|---------|---------------|----------|--------|
| PLT-80077 | 5 | 2700K/ 3000K/ 3500K/ 4000K/ 5000K | 90 | 120V | Polycarbonate | Yes | 12" |
| PLT-80078 | 9 | 2700K/ 3000K/ 3500K/ 4000K/ 5000K | 90 | 120V | Polycarbonate | Yes | 18" |
| PLT-80079 | 9 | 2700K/ 3000K/ 3500K/ 4000K/ 5000K | 90 | 120V | Polycarbonate | Yes | 21" |
| PLT-80080 | 9 | 2700K/ 3000K/ 3500K/ 4000K/ 5000K | 90 | 120V | Polycarbonate | Yes | 24" |

* See Selectable Table for full breakdown

SELECTABLE TABLE

| Item# | Wattage | CCT | Lumen | Efficacy |
|-----------|---------|-------|-------|----------|
| PLT-80077 | 5 | 2700K | 340 | 68 |
| | | 3000K | 345 | 69 |
| | | 3500K | 350 | 70 |
| | | 4000K | 355 | 71 |
| | | 5000K | 360 | 72 |
| PLT-80078 | 9 | 2700K | 612 | 68 |
| | | 3000K | 621 | 69 |
| | | 3500K | 630 | 70 |
| | | 4000K | 639 | 71 |
| | | 5000K | 648 | 72 |
| PLT-80079 | 9 | 2700K | 612 | 68 |
| | | 3000K | 621 | 69 |
| | | 3500K | 630 | 70 |
| | | 4000K | 639 | 71 |
| | | 5000K | 648 | 72 |
| PLT-80080 | 9 | 2700K | 612 | 68 |
| | | 3000K | 621 | 69 |
| | | 3500K | 630 | 70 |
| | | 4000K | 639 | 71 |
| | | 5000K | 648 | 72 |

DIMENSIONS

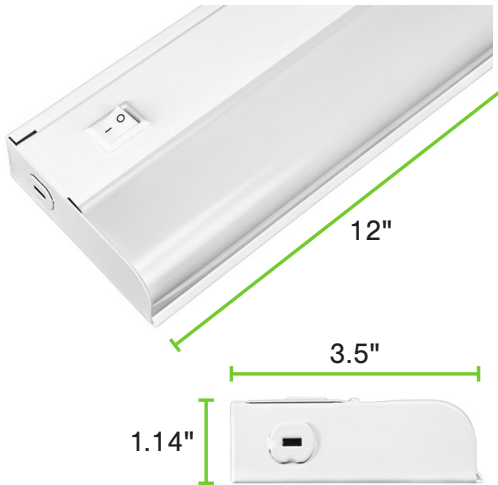
12" DIMENSIONS:

Length: 12"

Height: 1.14"

Width: 3.5"

Weight: 1.01 lbs



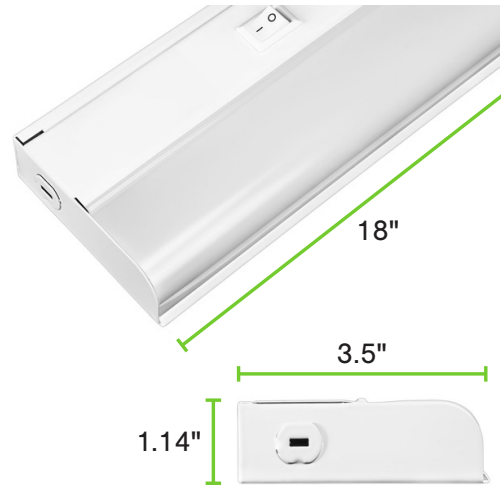
18" DIMENSIONS:

Length: 18"

Height: 1.14"

Width: 3.5"

Weight: 1.28 lbs



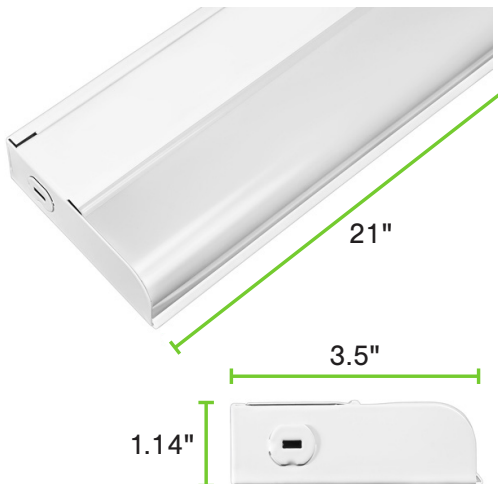
21" DIMENSIONS:

Length: 21"

Height: 1.14"

Width: 3.5"

Weight: 1.57 lbs



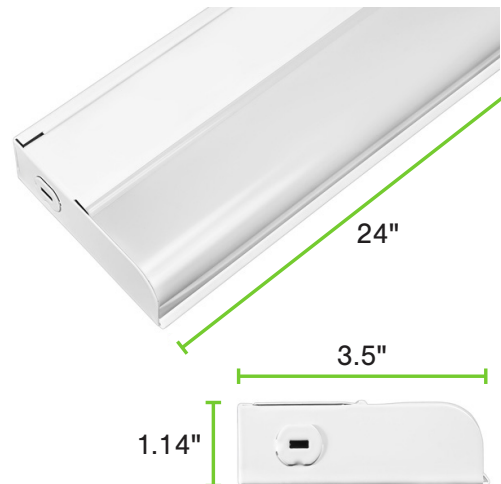
24" DIMENSIONS:

Length: 24"

Height: 1.14"

Width: 3.5"

Weight: 1.70 lbs



WARNINGS

- Only use this LED under cabinet fixture with the dimmers listed in the compatibility list. Using this fixture with incompatible dimmers may cause performance issues including humming, buzzing, flickering, and poor dimming performance.