



COLOR/WATTAGE SELECTABLE LED STAIRWELL FIXTURE W/ SENSOR

WARNING, CAUTION, SAFETY AND INSTALLATION INSTRUCTIONS

WARNING

- Installation, service, and maintenance of luminaires should be performed by a qualified licensed electrician.
- Account for small parts and destroy packing material, as these may be hazardous to children.

CAUTION

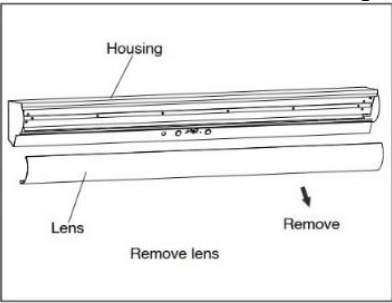
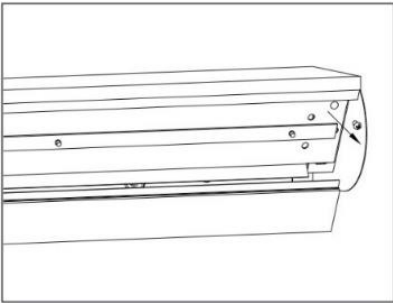
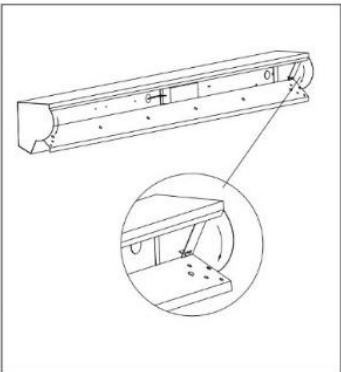
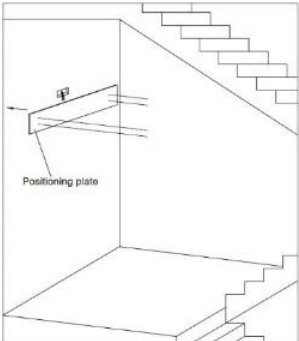
- Do not make or alter any open holes in the fixture.
- Verify that supply voltage is correct by comparing it with the luminaire label information.
- All wiring connections should be capped with UL approved wire connectors.
- Green ground screw provided in proper location. Do not relocate.
- Minimum 90° supply conductors.

NOTICE

- Specifications and dimensions are subject to change without notice.
- Suitable for dry or damp locations.

Installation Instructions

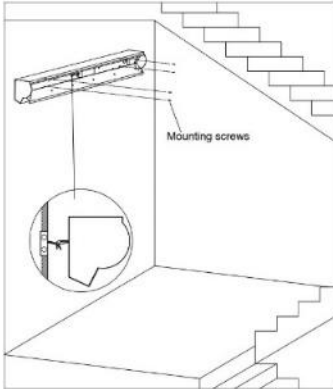
Wall Mounting

<p>1. Remove the lens from the housing.</p> 	<p>2. Loosen the two screws that hold the light panel.</p> 
<p>3. Allow the light panel to lay unsecured.</p> 	<p>4. Install anchor bolt. Drill four holes in the corresponding position on the wall using the positioning plate provided by the manufacturer. Insert an anchor bolt into each hole.</p> 

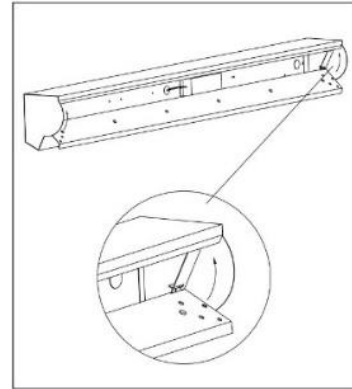


COLOR/WATTAGE SELECTABLE LED STAIRWELL FIXTURE W/ SENSOR WARNING, CAUTION, SAFETY AND INSTALLATION INSTRUCTIONS

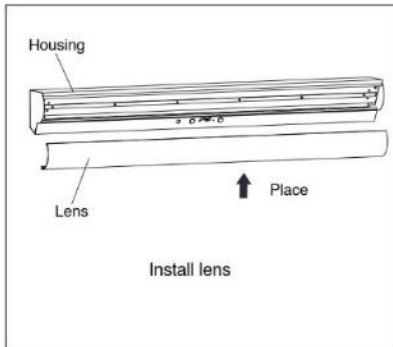
5. Connect the AC wires, then screw four mounting screws into each anchor bolt.



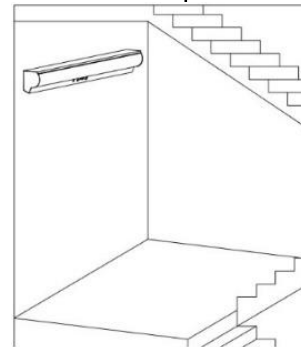
6. Push the light panel into its original position and secure the light panel to the bracket.



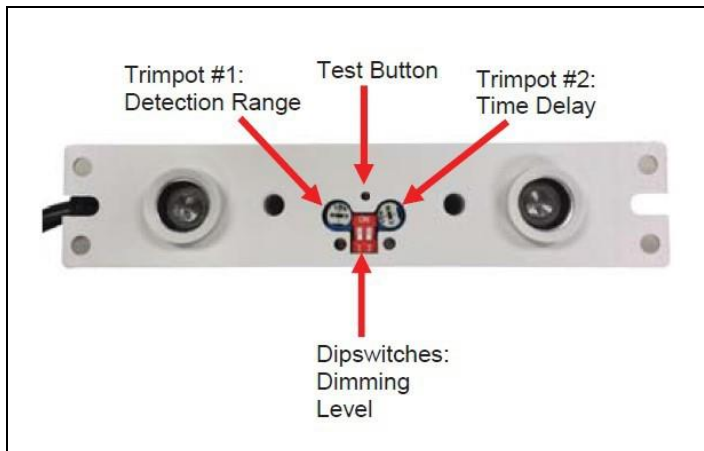
7. Install the lens.



8. The installation is complete.



Sensor Settings Adjustment



Dipswitch 1	Dipswitch 2	DIM Level
OFF	OFF	OFF (Default Setting)
OFF	ON	10%
ON	OFF	25%
ON	ON	50%

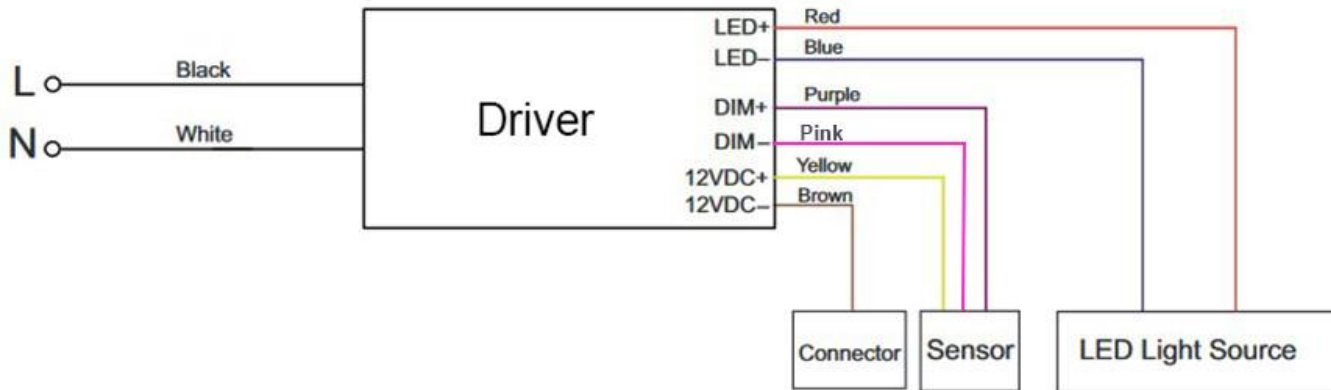
- Trimpot #1 on left adjusts motion detection range and sensitivity. Trimpot #2 on right adjusts time delay. Turn clockwise to increase, and counterclockwise to decrease.
- Test button sets the time delay to five seconds and runs for 5 minutes. The LED will flash 2 times to indicate that Test Mode has started. After 5 minutes (or push the Test Mode button again), the LED will flash 3 times. The sensors will then return to the selected Trimpot time delay setting.



COLOR/WATTAGE SELECTABLE LED STAIRWELL FIXTURE W/ SENSOR

WARNING, CAUTION, SAFETY AND INSTALLATION INSTRUCTIONS

Wiring Diagram



⚠ WARNING

- Before installing, servicing, or performing routine maintenance upon this equipment, follow these general precautions.
- To reduce the risk of death, personal injury, or property damage from fire, electric shock, falling parts, cuts/abrasions, and other hazards, read all warnings and instructions included with and on the fixture box and all fixture labels.
- Proper grounding is required to ensure safety.
- Power must be turned off at the breaker before installation or maintenance.
- This product must be installed in accordance with the applicable installation code by a person familiar with the construction and operation of the product and the hazards involved.
- Wear gloves and eye protection at all times while installing, servicing, or performing maintenance on the luminaire, and avoid direct eye exposure to the light source while it is on.
- To prevent wiring damage or abrasion, do not expose wiring to edges of sheet metal or other sharp objects.
- Do not install damaged product. Inspect luminaire for damage that may have occurred during transit. If damaged, contact the manufacturer immediately.
- These instructions do not purport to cover all details or variations in equipment nor to provide every possible contingency to meet in connection with installation, operation, or maintenance. Should further information be desired or should particular problems arise which are not covered sufficiently for the purchaser's or owner's purposes, contact the manufacturer.

⚠ ADVERTENCIA

- Antes de instalar, reparar o realizar el mantenimiento de rutina de este equipo, siga estas precauciones generales.
- Para reducir el riesgo de muerte, lesiones personales o daños a la propiedad por fuego, descarga eléctrica, caída de piezas, cortes / abrasiones y otros peligros, lea todas las advertencias y instrucciones incluidas con y en la caja del dispositivo y todas las etiquetas del dispositivo.
- Se requiere una conexión a tierra adecuada para garantizar la seguridad.
- Se debe apagar la energía en el disyuntor antes de la instalación o el mantenimiento.



COLOR/WATTAGE SELECTABLE LED STAIRWELL FIXTURE W/ SENSOR WARNING, CAUTION, SAFETY AND INSTALLATION INSTRUCTIONS

- Este producto debe ser instalado de acuerdo con el código de instalación aplicable por una persona familiarizada con la construcción y operación del producto y los peligros involucrados.
- Utilice guantes y protección para los ojos en todo momento durante la instalación, el servicio o el mantenimiento de la luminaria, y evite la exposición directa de los ojos a la fuente de luz mientras está encendida.
- Para evitar daños o abrasiones en el cableado, no exponga el cableado a bordes de láminas de metal u otros objetos afilados.
- No instale un producto dañado. Inspeccione la luminaria en busca de daños que puedan haber ocurrido durante el tránsito. Si está dañado, comuníquese con el fabricante de inmediato.
- Estas instrucciones no pretenden cubrir todos los detalles o variaciones en el equipo ni proporcionar todas las posibles contingencias a cumplir en relación con la instalación, operación o mantenimiento. Si desea obtener más información o si surgen problemas particulares que no están suficientemente cubiertos para los propósitos del comprador o propietario, comuníquese con el fabricante.