



PLT-13217



| |
|---------------------------------------|
| Constant voltage LED driver |
| Total power: 96W |
| Input voltage: 120~277Vac \pm 10% |
| Number of outputs: One |
| UL 8750 and UL879 |
| IP20 design for dry and damp location |
| 5 year warranty |



ELECTRICAL SPECIFICATIONS

| | |
|----------------------------|---|
| Input voltage range: | 120~277Vac \pm 10% |
| Frequency: | 50/60Hz |
| Power factor: | > 0.9 under 120~277Vac input with 80~100% load condition (for all output voltage) |
| Inrush current: | 20A @230V |
| Max input current: | 0.95A @120V, 0.46A @240V and 0.40A @277V |
| THD: | < 20% under 120~277Vac input with 80~100% load condition (for all output voltage) |
| Load Regulation: | \pm 2% |
| Line Regulation: | \pm 1% |
| Voltage Tolerance: | \pm 5% at full load condition |
| Turn-on Delay Time: | < 2s at full load condition |
| Overshoot: | < 10% at full load condition |
| No Load Power Consumption: | < 3W |
| Ripple & Noise (pk-pk): | < 9% |
| Withstand voltage: | Input to output, 2,800Vdc, 2mA |
| Surge rating: | 2.5KV for Combination Wave / Ring Wave |
| Leakage current: | Maximum 0.5mA at 277Vac, 60Hz input |
| Protection: | Over voltage protection: Hiccup mode. Protection will trigger when load voltage exceed specified output voltage and will auto recover after the fault mode is removed. Over current protection: Hiccup mode. Protection will trigger when load current exceed specified output current and will auto recover after the fault mode is removed. Short circuit protection: Hiccup mode. Protection will trigger when short circuit and will auto recover after the fault mode is removed. Over temperature protection: Protection will trigger when driver overheat and auto-recovery when cooled down. |

ENVIRONMENTAL SPECIFICATIONS

| | |
|----------------------------|---|
| Operating temperature: | -40 to 60°C |
| Storage temperature: | -40 to 85°C |
| Humidity: | 5% to 95% |
| MTBF: | 258,000 hours at 40°C ambient (~70°C Case temp) |
| Life rating: | 80,000 hours at 120Vac input, 100% load and 60°C case temperature |
| Maximum case Temperature : | 90°C |

SAFETY AND EMC COMPLIANCE

| | |
|--------------------|--|
| UL/cUL | UL 8750, UL879, Class P, Type HL |
| CE | EN61347-1, EN61347-2-13 |
| FCC, 47CFR Part 15 | ANSI C63.4:2009 Class B (Consumer Limit) |
| EN61000-3-2 | Harmonic Current Emissions Class C |

*Available via Special Order. Call 1-800-624-4488.

PRODUCT SPECIFICATIONS

| Model Number | Max output power | Output Current | Output Voltage | OCV | Efficiency at 120V (Typ.) | Efficiency at 240V (Typ.) | Efficiency at 277V (Typ.) | Remote mounting distance (#18 AWG) | Class 2 |
|--------------|------------------|----------------|----------------|-----|---------------------------|---------------------------|---------------------------|------------------------------------|---------|
| NPS-00345* | 96W | 0-8A | 12V | 13V | 86% | 88% | 88% | 4 ft | |
| NPS-00346* | 96W | 0-6.4A | 15V | 16V | 87% | 88% | 88% | 5 ft | |
| PLT-13217 | 96W | 0-4A | 24V | 25V | 88% | 89% | 89% | 9 ft | ✓ |
| NPS-00347* | 96W | 0-2.7A | 36V | 37V | 88% | 89% | 89% | 22 ft | ✓ |
| NPS-00348* | 96W | 0-2A | 48V | 49V | 88% | 89% | 89% | 18 ft | ✓ |

PHYSICAL DIMENSIONS

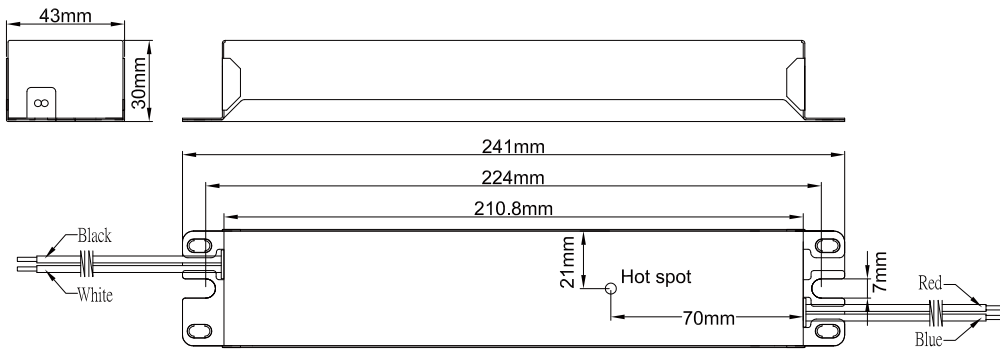
| | |
|---------------|---------------|
| Length (L): | 9.50" (241mm) |
| Width (W): | 1.70" (43mm) |
| Height (H): | 1.15" (30mm) |
| Mounting (M): | 8.82" (224mm) |

PACKAGING

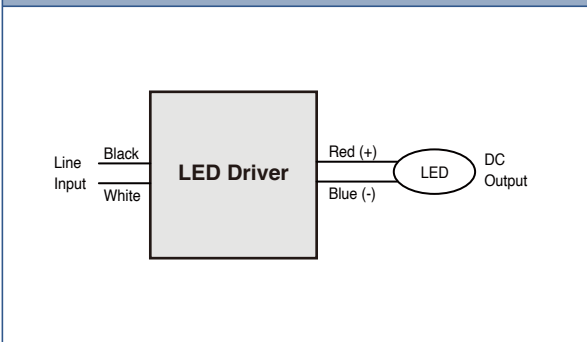
| | |
|--|--------------------|
| 0.55kg / unit ; 30pcs / carton ; 1,080pcs / pallet | |
| Carton size: | 300 x 280 x 210 mm |
| Carton weight: | 18 kg |
| Case Material: | Metal |

WIRE SPECIFICATIONS

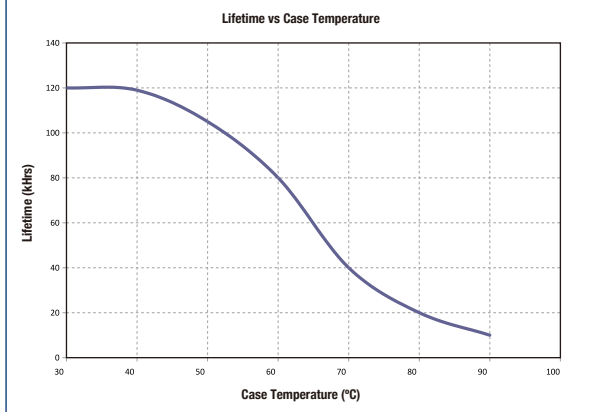
| | |
|---------|---|
| Input: | 12", UL 1569 #18AWG (Black and White) |
| Output: | 12", UL 1316 #18AWG 12", UL 1316 #16AWG for SGB100-UVQ-12V |



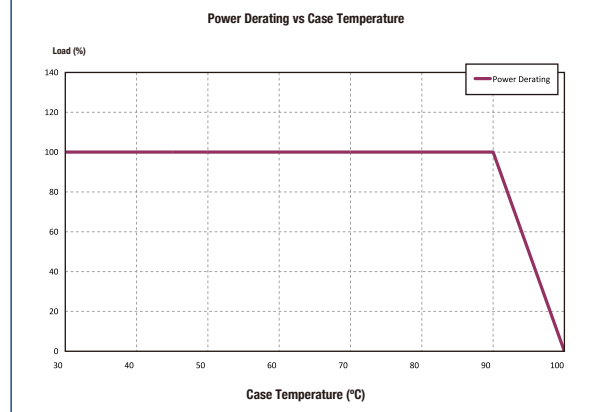
WIRING DIAGRAM



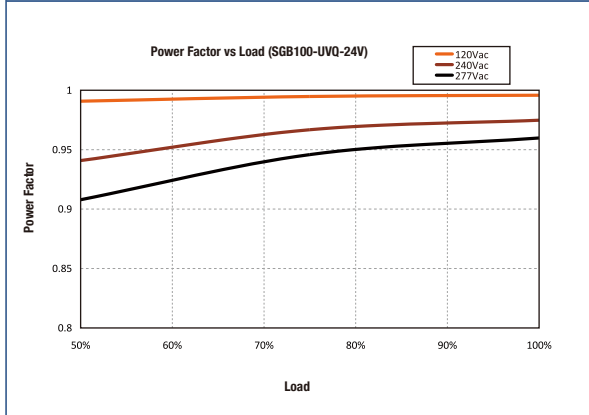
LIFETIME vs CASE TEMPERATURE



POWER DERATING vs CASE TEMPERATURE



POWER FACTOR vs LOAD



EFFICIENCY vs LOAD

