



# PLT-13216



Constant voltage LED driver
Total power: 24W
Input voltage: 120~277Vac $\pm$ 10%
Number of outputs: One
UL 8750 and UL879
IP20 design for dry and damp location
5 year warranty



## ELECTRICAL SPECIFICATIONS

Input voltage range:	120~277Vac $\pm$ 10%
Frequency:	50/60Hz
Power factor:	> 0.9 under 120~277Vac input with 80~100% load condition (for all output voltage)
Inrush current:	7A @230V
Max input current:	0.27A @120V, 0.15A @240V and 0.13A @277V
THD:	< 20% under 120~277Vac input with 80~100% load condition (for all output voltage)
Load Regulation:	$\pm$ 2%
Line Regulation:	$\pm$ 1%
Voltage Tolerance:	$\pm$ 5% at full load condition
Turn-on Delay Time:	< 0.5s at 50~100% load, input 120V
Overshoot:	< 10% at full load condition
No Load Power Consumption:	< 1.5W
Ripple & Noise (pk-pk):	< 9%
Withstand voltage:	Input to output, 2,800Vdc, 2mA
Surge rating:	2.5KV for Combination Wave / Ring Wave
Leakage current:	Maximum 0.5mA at 277Vac, 60Hz input
Protection:	Over voltage protection: Hiccup mode. Protection will trigger when load voltage exceed specified output voltage and will auto recover after the fault mode is removed. Over current protection: Hiccup mode. Protection will trigger when load current exceed specified output current and will auto recover after the fault mode is removed. Short circuit protection: Hiccup mode. Protection will trigger when short circuit and will auto recover after the fault mode is removed.

## ENVIRONMENTAL SPECIFICATIONS

Operating temperature:	-40 to 60°C
Storage temperature:	-40 to 85°C
Humidity:	5% to 95%
MTBF:	376,000 hours at 40°C ambient (~70°C Case temp)
Life rating:	85,000 hours at 120Vac input, 100% load and 60°C case temperature
Maximum case Temperature :	90°C

## SAFETY AND EMC COMPLIANCE

UL/cUL	UL 8750, UL879
CE	EN61347-1, EN61347-2-13
FCC, 47CFR Part 15	ANSI C63.4:2009 Class B (Consumer Limit)
EN61000-3-2	Harmonic Current Emissions Class C

\*Available via Special Order. Call 1-800-624-4488.

### PRODUCT SPECIFICATIONS

Model Number	Max output power	Output Current	Output Voltage	OCV	Efficiency at 120V (Typ.)	Efficiency at 240V (Typ.)	Efficiency at 277V (Typ.)	Remote mounting distance (#18 AWG)	Class 2
<b>PLT-13216</b>	24W	0-2A	12V	16V	81%	82%	81%	19 ft	✓
<b>NPS-00344*</b>	24W	0-1A	24V	20V	85%	84%	84%	38 ft	✓

### PHYSICAL DIMENSIONS

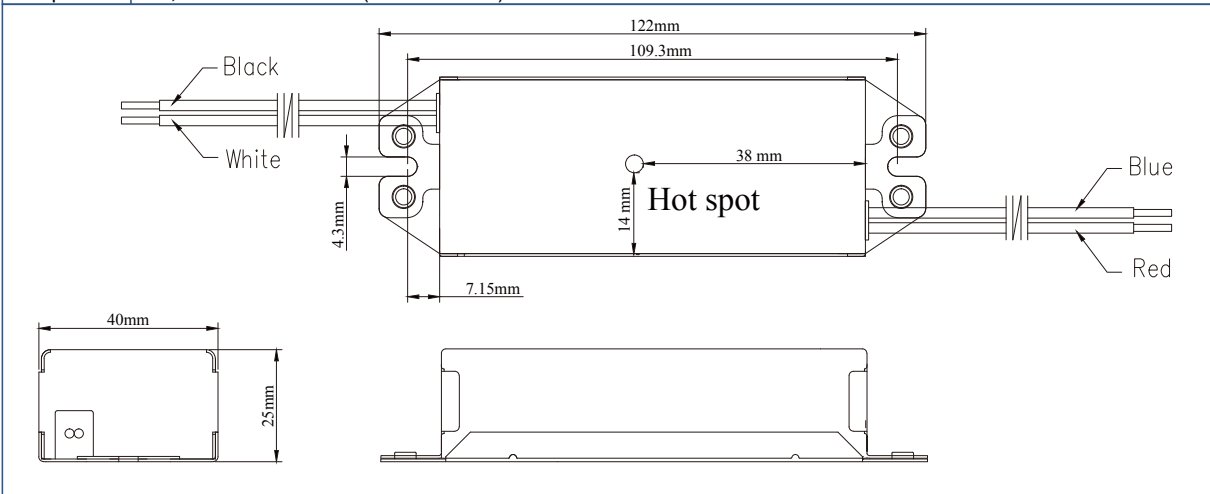
Length (L):	4.80" (122mm)
Width (W):	1.58" (40mm)
Height (H):	0.96" (25mm)
Mounting (M):	4.29" (109mm)

### PACKAGING

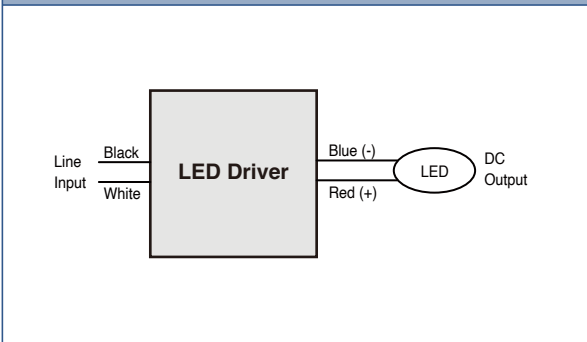
0.22kg / unit ; 60pcs / carton ; 2,700pcs / pallet	
Carton size:	360 x 300 x 160 mm
Carton weight:	14 kg
Case Material:	<b>Metal</b>

### WIRE SPECIFICATIONS

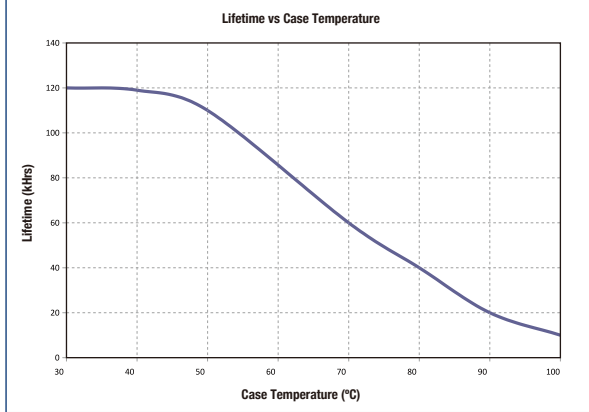
Input:	12", UL 1316 #18AWG (Black and White)
Output:	12", UL 1316 #18AWG (Red and Blue)



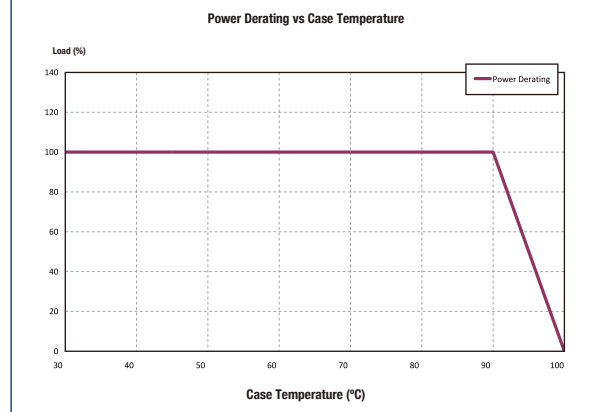
### WIRING DIAGRAM



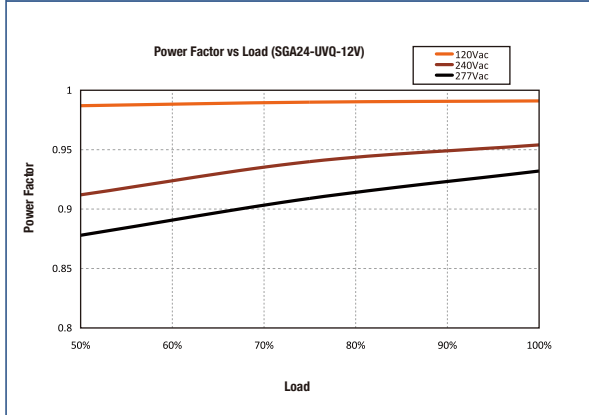
## LIFETIME vs CASE TEMPERATURE



## POWER DERATING vs CASE TEMPERATURE



## POWER FACTOR vs LOAD



## EFFICIENCY vs LOAD

