



PLT-13207



Constant current LED driver
Total power: 25W
Input voltage: 120~277Vac ± 10%
Number of outputs: One
UL 8750
IP20 or IP66 design
Isolated dimming circuit, dimmable with 0-10V dimmer
5 year warranty



ELECTRICAL SPECIFICATIONS

Input voltage range:	120~277Vac ± 10%
Frequency:	50/60Hz
Power factor:	> 0.9 under 120~277Vac input with 80~100% load condition (for all output currents)
Inrush current:	10A @120V
Max input current:	0.26A @120V, 0.16A @240V and 0.12A @277V
THD:	< 20% under 120~277Vac input with 80~100% load condition (for all output currents)
Load Regulation:	± 2%
Line Regulation:	± 2%
Output Tolerance:	± 5% at full load condition
Turn-on Delay Time:	< 0.5s at 50~100% load, input 120V
Overshoot:	< 10% at full load condition
No Load Power Consumption:	< 1W
Ripple & Noise (pk-pk):	< 10%
Withstand voltage:	Input to output, 4,000Vdc, 2mA
Surge rating:	2.5KV for Combination Wave / Ring Wave
Leakage current:	Maximum 0.5mA at 277Vac, 60Hz input
Protection:	Over voltage protection: Hiccup mode. Protection will trigger when load voltage exceed specified output voltage and will auto recover after the fault mode is removed. Over current protection: Hiccup mode. Protection will trigger when load current exceed specified output current and will auto recover after the fault mode is removed. Short circuit protection: Hiccup mode. Protection will trigger when short circuit and will auto recover after the fault mode is removed.

ENVIRONMENTAL SPECIFICATIONS

Operating temperature:	-40 to 60°C
Storage temperature:	-40 to 85°C
Humidity:	5% to 95%
MTBF:	355,000 hours at 40°C ambient (~70°C Case temp)
Life rating:	85,000 hours at 120Vac input, 100% load and 60°C case temperature
Maximum case Temperature :	90°C

SAFETY AND EMC COMPLIANCE

UL/cUL	UL 8750, Class P, Type HL
CE	EN61347-1, EN61347-2-13
FCC, 47CFR Part 15	ANSI C63.4:2009 Class B (Consumer Limit)
EN61000-3-2	Harmonic Current Emissions Class C

*Available via Special Order. Call 1-800-624-4488.

PRODUCT SPECIFICATIONS

Model Number	Max output power	Output Current	Output Voltage	OCV	Efficiency at 120V (Typ.)	Efficiency at 240V (Typ.)	Efficiency at 277V (Typ.)	Remote mounting distance (#18 AWG)	Class 2
NPS-00305*	25W	300mA	28 - 83V	99V	88%	88%	88%	124 ft	
NPS-00306*	25W	350mA	24 - 72V	80V	88%	88%	88%	109 ft	
NPS-00307*	25W	400mA	21 - 63V	70V	87%	88%	88%	96 ft	
NPS-00308*	25W	450mA	21 - 56V	60V	87%	88%	88%	85 ft	✓
NPS-00309*	25W	500mA	17 - 50V	54V	87%	88%	88%	76 ft	✓
NPS-00310*	25W	580mA	14 - 43V	47V	86%	87%	87%	66 ft	✓
NPS-00311*	25W	600mA	14 - 42V	46V	86%	87%	87%	64 ft	✓
PLT-13207	25W	700mA	12 - 36V	40V	86%	87%	87%	54 ft	✓
NPS-00312*	25W	800mA	10 - 32V	36V	86%	87%	87%	48 ft	✓
NPS-00313*	25W	900mA	9 - 28V	32V	86%	87%	87%	42 ft	✓
NPS-00314*	25W	1000mA	8 - 25V	29V	85%	86%	86%	38 ft	✓
NPS-00315*	25W	1040mA	8 - 24V	28V	85%	86%	86%	36 ft	✓
NPS-00316*	25W	1100mA	8 - 23V	27V	85%	86%	86%	34 ft	✓
NPS-00317*	25W	1200mA	8 - 21V	25V	85%	86%	86%	32 ft	✓
NPS-00318*	25W	1400mA	6 - 18V	22V	85%	86%	86%	27 ft	✓

PHYSICAL DIMENSIONS

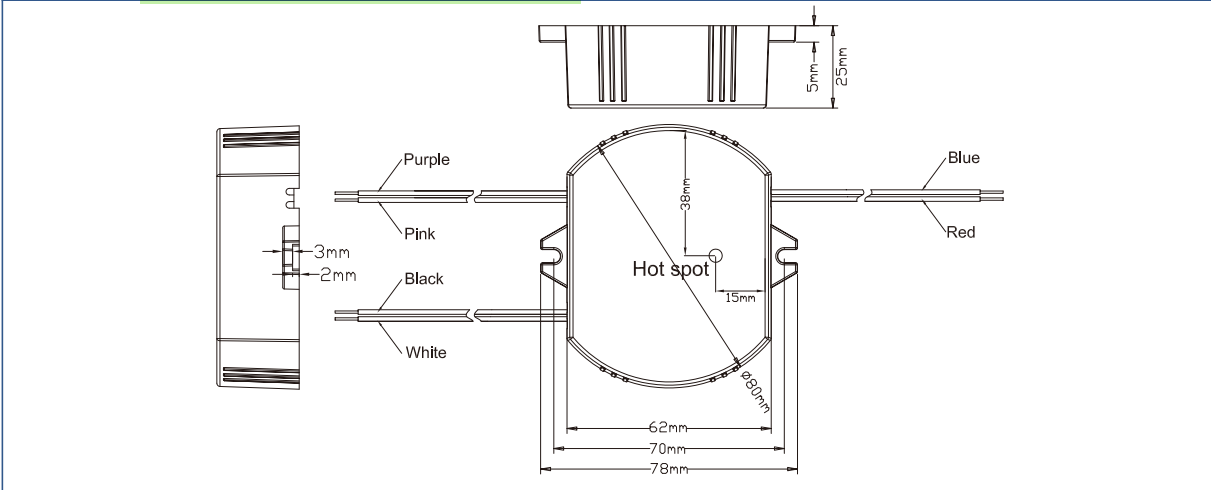
Length (L):	3.15" (80mm)
Width (W):	3.07" (78mm)
Height (H):	1.00" (25mm)
Mounting (M):	2.76" (70mm)

PACKAGING

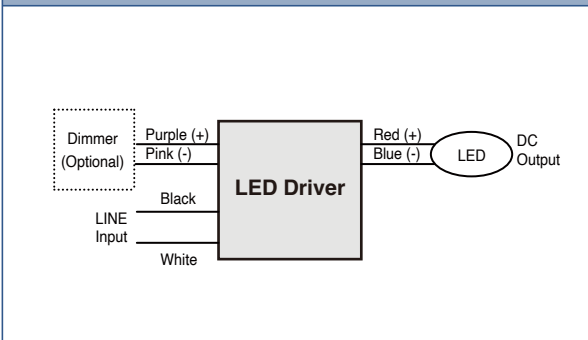
0.19kg / unit ; 50pcs / carton ; 2,000pcs / pallet	
Carton size:	450 x 235 x 155 mm
Carton weight:	10 kg
Case Material:	Plastic

WIRE SPECIFICATIONS

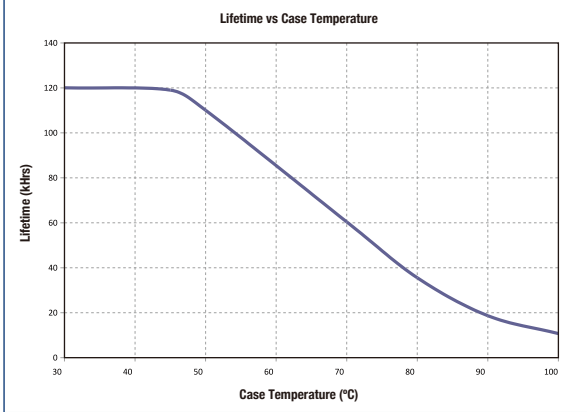
Input:	12", UL 1316 #18AWG (Black and White)
Output:	12", UL 1316 #18AWG (With Non-Class 2 Output) 12", UL 1316/1430 #22AWG (With Class 2 Output) (Red and Blue)
Dimming:	12", UL 1316/1430 #22AWG (Purple and Pink)



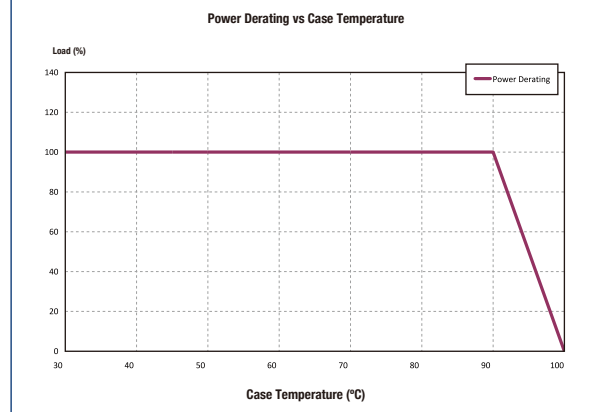
WIRING DIAGRAM



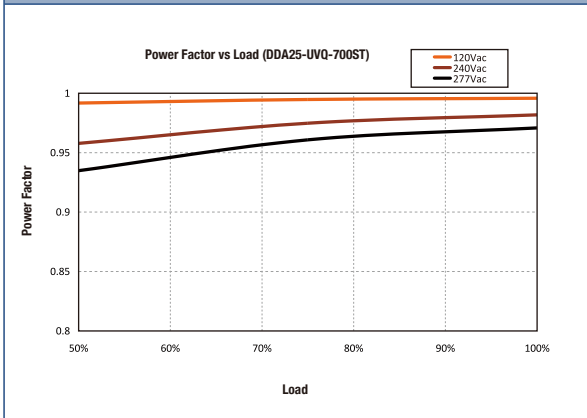
LIFETIME vs CASE TEMPERATURE



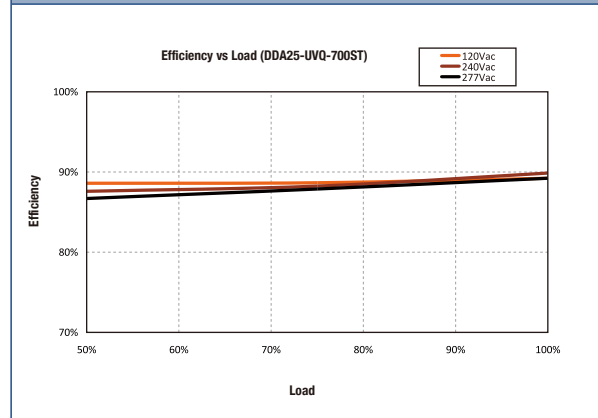
POWER DERATING vs CASE TEMPERATURE



POWER FACTOR vs LOAD



EFFICIENCY vs LOAD



DIMMING CURVE

