

 Please read **all the instructions** before attempting installation

- Please read the product specification carefully first to confirm that the working environment is in line with the condition on the specification before it is used.
- Please confirm the input voltage and frequency before use.
- The light must be installed by professional personnel
- If the power cord and case of the products are damaged, it will be regarded as disqualified product and should not be used.
- If external soft cable or wire of the product is damaged, the wire should be replaced by manufacturer or service agent or personnel with similar qualification to avoid danger.
- This luminaire is designed to operate in ambient temperatures ranging from -22°F to 158°F and to be horizontally mounted facing down.
- This product must be installed in accordance with the applicable installation code by a person familiar with the construction and operation of the product and the hazards involved.
- This product is not available for several special environments, such as places with corrosive gas liquids or high pressure water vapor.
- CONSULT A QUALIFIED ELECTRICIAN TO ENSURE CORRECT BRANCH CIRCUIT CONDUCTOR
- CAUTION - RISK OF FIRE

 Wiring Diagram & Instruction

3 dimming functions are available in this high bay light:

1. Constant current can be achieved by 0/1-10VDC dimming.
2. PWM signal dimming.
3. Variation of resistance unit dimming.

Wiring Instructions:

L: Black

N: White

 Green/Yellow

Dim +

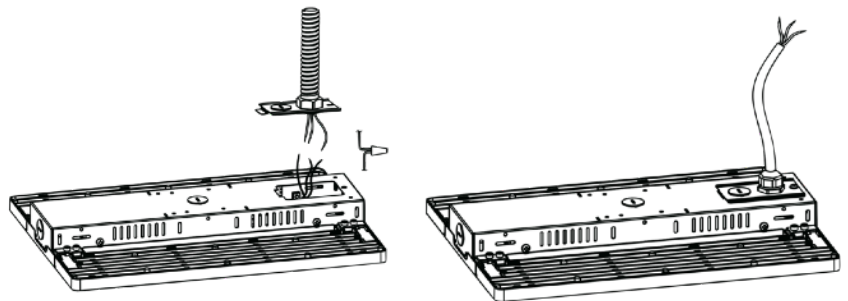
Dim -

Note: For wire color of DIM+ and DIM - please check the light label.

**Description:**

This product is 0/1-10V dimming, below dimmers are recommended:

Brand	Model
LUTRON	NTSTV-DV
LEVITON	DS710-10Z/IP710
LEGRAND	RH4FBL3PW

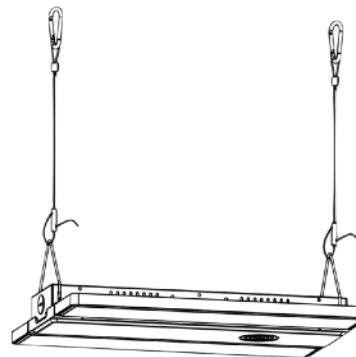




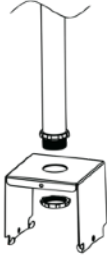
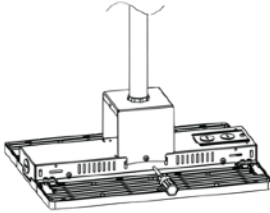
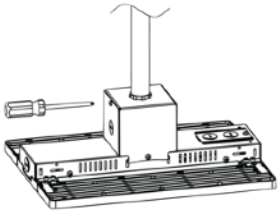
 Installation Instructions



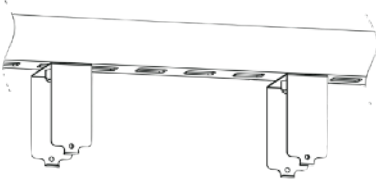
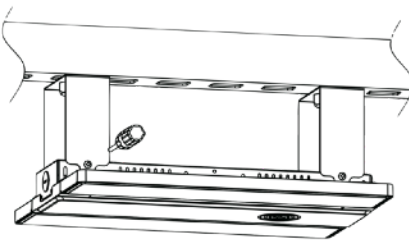
1. Hook up the cable.
2. Connect the cable with fixture.
3. Fix the cable on the rail, adjust the cable length as needed.
4. After fixed, choose suitable wiring knock out, connect the wires according to local standard and code.



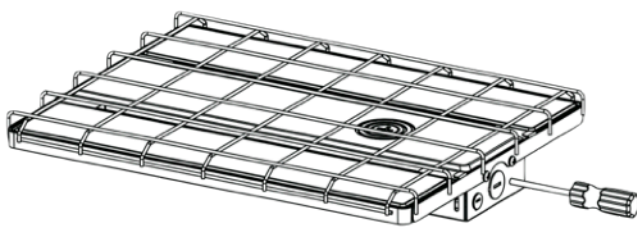
 Suspension Mount (Standard)

Fig. 1



 Installation Instructions	 Conduit Pendant Mount		
<ol style="list-style-type: none"> <li>1. Mount the bracket on 3/4" NPT (Fig. 2)</li> <li>2. Lock the fixture on the bracket (Fig. 3).</li> <li>3. Connect the wires according to local standard and code.</li> <li>4. Lock side brackets with screw driver (Fig. 4)</li> </ol>	<p>Fig. 2</p> 	<p>Fig. 3</p> 	<p>Fig. 4</p> 

 Installation Instructions	 Surface Bracket Mount	
<p>Note: If this bracket is used the backup driver solution cannot be use.</p> <ol style="list-style-type: none"> <li>1. Mount the bracket on the rail or ceiling (Fig. 5).</li> <li>2. Assemble the lamp on the bracket and fix it with screws (Fig. 6).</li> <li>3. After mounting, choose suitable wring knock out and connect the wires according to local standard and code.</li> </ol>	<p>Fig. 5</p> 	<p>Fig. 6</p> 

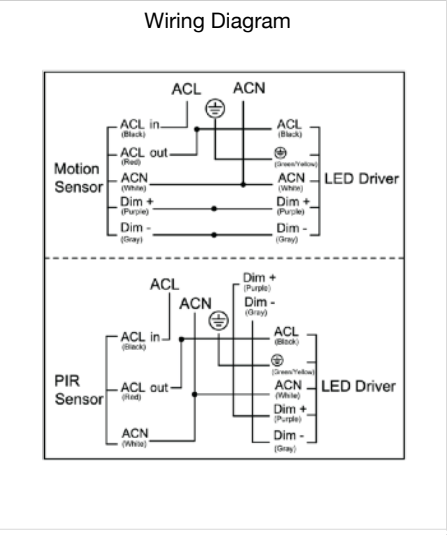
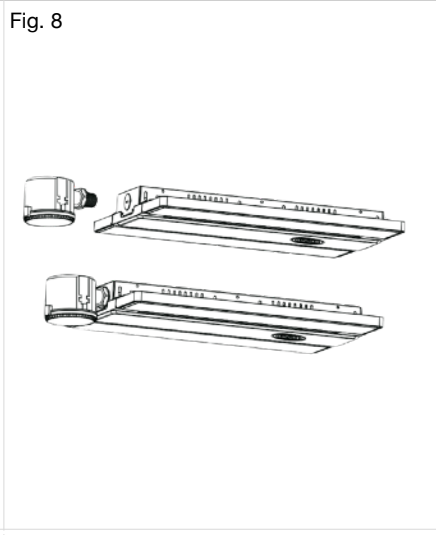
 Installation Instructions	 Wire Guard
<p>Note: Purchase the correct size wire guard from manufacturer.</p> <ol style="list-style-type: none"> <li>1. Place the wire guard on the lamp and fix it with screws (Fig. 7).</li> </ol>	<p>Fig. 7</p> 

**Installation Instructions**

Note: Both sensors are with the same installation.

1. Connect the wires according to the wiring diagram (Fig. 8).

**Motion Sensor / PIR Sensor**



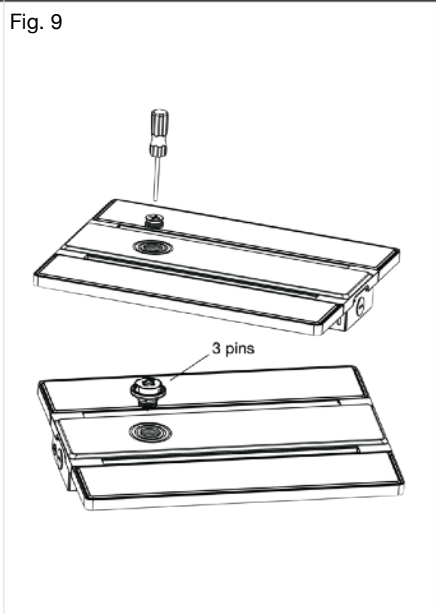
**Installation Instructions**

Note: Both sensors are with the same installation.

1. Use a screwdriver to remove the 1/2 plug from the sensor (Fig. 9).

2. Twist-lock the DC sensor to the base to make it work properly, use a remote control to adjust the working mode as per demand (Fig. 10)

**DC Motion Sensor / PIR Sensor**



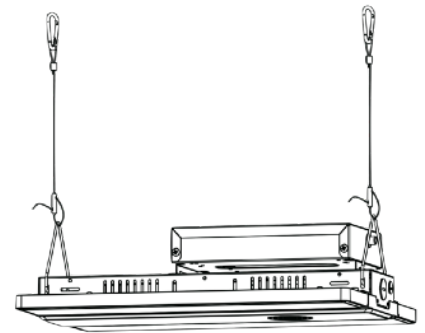
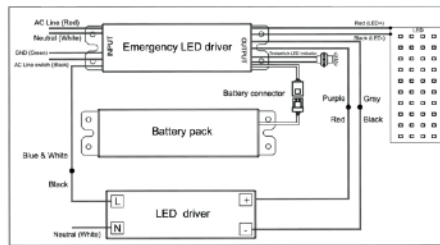
**Installation Instructions**

**Backup Diver**

**Part 1**

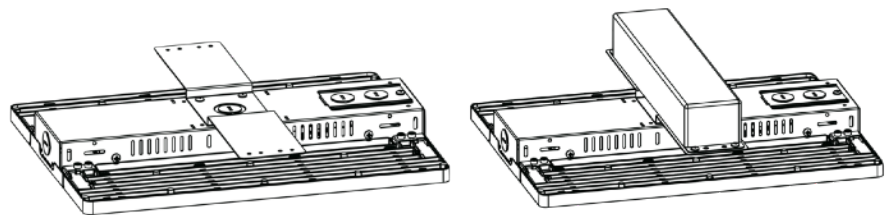
1. Open junction box with screw driver.
2. Connect the input wires on each backup driver and fixture driver via suitable knockout, then complete the junction.

**Wiring Diagram (Maintained)**

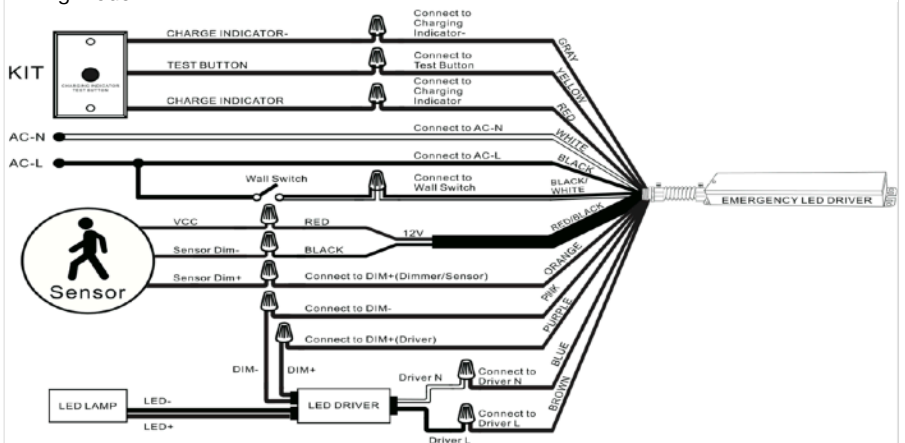


**Part 2**

1. Assemble the bracket onto the back of the light fixture.
2. Assemble the emergency power supply to the bracket, and then connect according to the wiring mode.



**Wiring Mode**



**CCT & Wattage Adjustment**  
Wattage adjustment switch + CCT tunable switch

