



DESCRIPTION

Providing a one-for-one replacement of 250 Watt metal halide fixtures, these LED high bay fixtures come with a pre-installed motion sensor that turns the fixture on, off, and adjusts the light level depending on the amount of ambient light and room occupancy.

FEATURES

- Up to 136 LPW ultra-high efficiency delivers superior performance over legacy HID high bays
- Pre-installed PIR motion sensor allows fixture to turn on or off automatically depending on the amount of light or activity detected in the area; see Motion Sensor Specifications for information on factory settings
- Optional remote control available to adjust motion sensor settings including light levels and daylight harvesting; remote must be less than 40 feet from the sensor/fixture that is being controlled; see PLT-90311 for more information

LISTINGS

- UL rated for damp locations
- IP20
- FCC
- RoHS
- DesignLights Consortium® 5.1 Premium - meets the requirements for the highest DLC qualification for efficacy and lumen maintenance; DLC PN: PLTM15A512

PERFORMANCE

- CRI: 80
- CCT: 5000K
- LED L70 Life Hours @ 25°C: >100,000 hours

THERMAL

- -4°F to 122°F (-20°C to 50°C) operating temperature

ELECTRICAL

- THD: 20%
- Power Factor: 0.9
- Input Voltage: 120-277V
- Dimmable power supply (0-10V)
- Surge Protection: 2kV

INSTALLATION

- Designed for suspended mounting with included V-hooks and 3.4 ft. chains; see installation instructions for more information

CONSTRUCTION

- Stamped sheet metal housing with white finish
- Frosted PMMA lens protects LEDs while evenly distributing light

Project name	Type
Catalog number	
Comments	Voltage
Approved by	Date



WARRANTY

- 5-year limited warranty; see pltsolutions.com for warranty details

APPLICATIONS

- Warehouses
- Manufacturing Plants
- Distribution Centers
- Grocery Stores
- Gymnasiums
- Indoor Recreational Facilities
- Cold Storage
- Big Box Retail
- Service Repair Centers

PERFORMANCE SUMMARY

Item #	Model	Watts	Lumens	LPW	CCT	CRI	Voltage	Replaces	Length	DLC #	DLC Listing
PLT-80063	Linear	130	17,680	136	5000K	80	120-277V	MH250	1.3'	PLTM15A512	5.1 Premium

MOTION SENSOR SPECIFICATIONS

Input Voltage	12V DC
Power Consumption	0.1 Watt
Dimming	0-10V
Mounting Height	35' Max.
Sensor Range	80' Max. (40' on all sides of fixture)
Default Setting*	<ul style="list-style-type: none"> • Trim Level - 100% • Hold Time - 10mins • Standby Dim -50% • Standby Time - 1min • Photocell - OFF
Dimming Level Setting**	0%, 10%, 30%, 50%, 75%, 100%
Delay Time Setting**	10s, 5min, 15min, 30min, 60 minutes, or ∞
Certification	UL

* Reset button returns sensor settings to preset mode, see PLT-90311 for more information

** Adjustable only with remote, see PLT-90311 for more information

FIXTURE DIMENSIONS

DIMENSIONS:

Length: 16.3"

Height: 1.8"

Width: 11.8"

Weight: 4.9 lbs

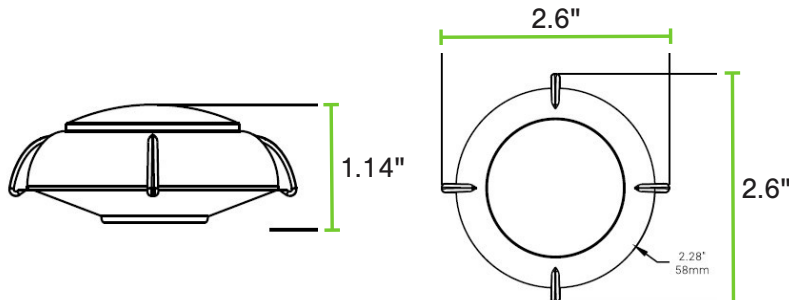


MOTION SENSOR DIMENSIONS

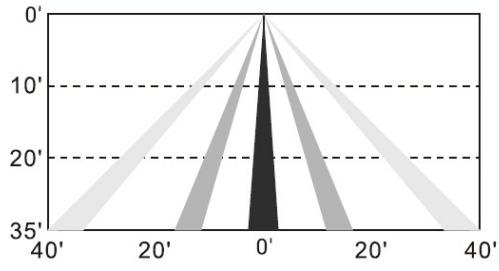
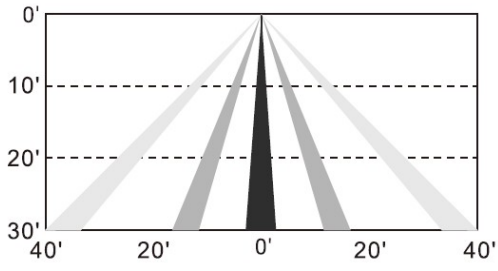
DIMENSIONS:

Diameter: 2.6"

Depth - 1.14"



MOTION SENSOR COVERAGE



Coverage Top View

