



WARNING

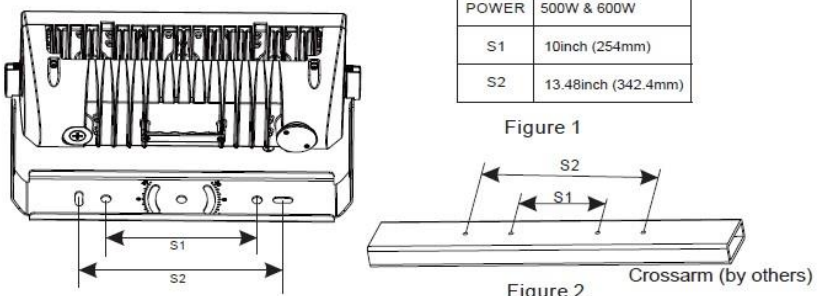
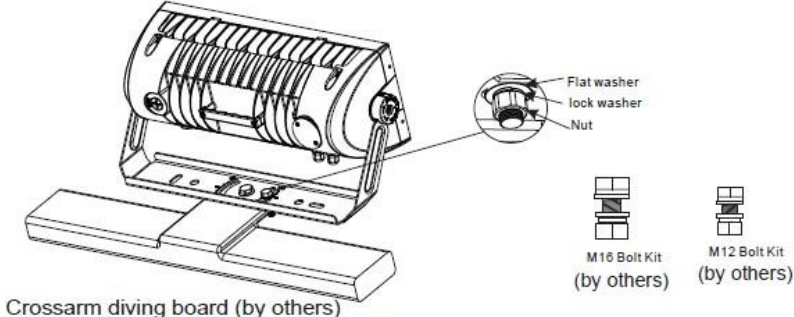
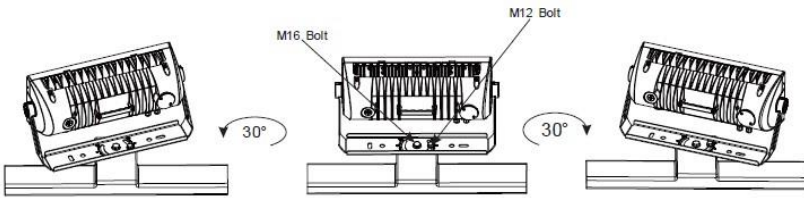
- Installation, service, and maintenance of luminaries should be performed by a qualified licensed electrician.

CAUTION

- Ensure that the voltage used falls within the fixture's voltage range.
- Use wires that comply with UL or other local standards. 120-277V installation should be wired with no less than 16 AWG wire. 220-480V installations should be wired with no less than 18 AWG wire.
- Do not install fixture in a hazardous environment. The ambient temperature must not exceed the rated operating temperature of the fixture.
- Use a listed waterproof strain relief bushing when connecting the power supply cord to the outlet box.
- Do not use or test fixture with an electric generator.
- Only use with an external 0-10V passible dimmer.

Installation Instructions

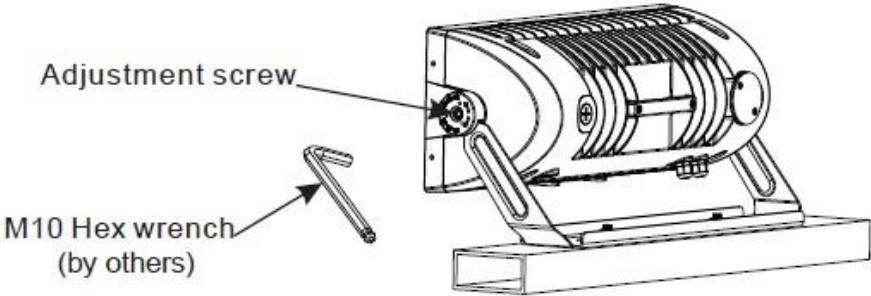
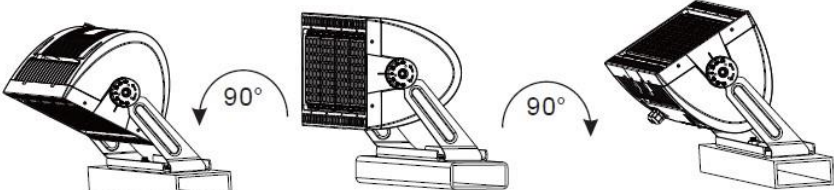
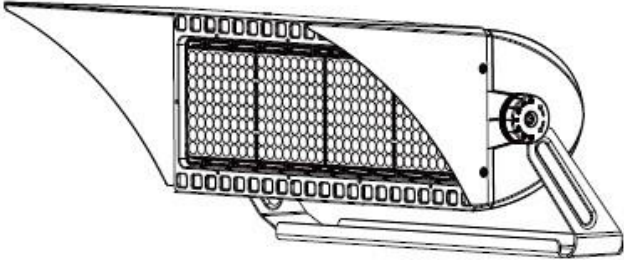
Flood Mounting Method (Pole Mounting)

<ol style="list-style-type: none"> 1. Mark the S1 and S2 mounting holes for the bracket on the mounting bar. Spacing measurements can be referenced on Figure 1. 2. Drill the holes (Figure 2). 	 <table border="1" data-bbox="1162 947 1398 1062"> <tr> <td>POWER</td> <td>500W & 600W</td> </tr> <tr> <td>S1</td> <td>10inch (254mm)</td> </tr> <tr> <td>S2</td> <td>13.48inch (342.4mm)</td> </tr> </table> <p>Figure 1</p> <p>Figure 2 Crossarm (by others)</p>	POWER	500W & 600W	S1	10inch (254mm)	S2	13.48inch (342.4mm)
POWER	500W & 600W						
S1	10inch (254mm)						
S2	13.48inch (342.4mm)						
<ol style="list-style-type: none"> 3. Install the fixture to the pole and secure it with (Figure 3): <ol style="list-style-type: none"> a. M16 diameter blot/nut, flat washers, and lock washer kit b. M12 aiming lock bolt/nut, flat washers, and lock washer kit 	 <p>Figure 3</p>						
<ol style="list-style-type: none"> 4. Set the left/right orientation by loosening the M16 & M12 bolts in the base of the yoke mount bracket, turning the fixture to the desired direction, then retightening the bolts (Figure 4) 	 <p>Figure 4</p>						

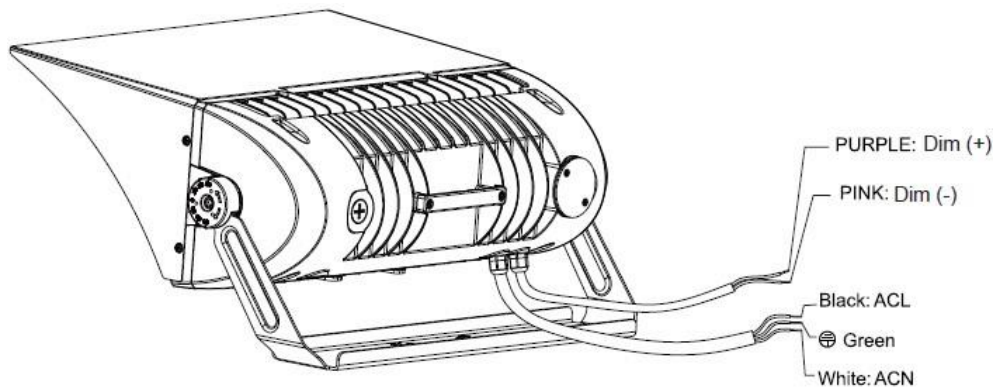


LED INDUSTRIAL FLOOD & SPORT LIGHT FIXTURE

WARNING, CAUTION, SAFETY AND INSTALLATION INSTRUCTIONS

<p>5. Use M10 hex wrench to loosen the adjustment screw used to adjust the angle (Figure 5).</p>	 <p>Adjustment screw</p> <p>M10 Hex wrench (by others)</p> <p>Figure 5</p>
<p>6. Adjust the fixture to the desired angle (Figure 6).</p> <p>7. Once the angle is set, lock the adjustment screw.</p> <p>Note: Use a UL listed waterproof strain relief bushing when connecting the fixture's power cord to the J-box.</p>	 <p>90°</p> <p>90°</p> <p>Figure 6</p>
<p>Attaching the Light Visor</p> <p>Attach the visor to the luminaire using a M6 hex wrench (Figure 7).</p>	 <p>Figure 7</p>

Wiring Diagram



Notice: Use the leads marked Dim (+) and Dim (-) to connect to an outside dimmer. Use Class 1 wiring only. If the AUX cables are not being used, do not remove or damage the protective tubes.



⚠ WARNING

- Before installing, servicing, or performing routine maintenance upon this equipment, follow these general precautions.
- To reduce the risk of death, personal injury, or property damage from fire, electric shock, falling parts, cuts/abrasions, and other hazards, read all warnings and instructions included with and on the fixture box and all fixture labels.
- Proper grounding is required to ensure safety.
- Power must be turned off at the breaker before installation or maintenance.
- This product must be installed in accordance with the applicable installation code by a person familiar with the construction and operation of the product and the hazards involved.
- Wear gloves and eye protection at all times while installing, servicing, or performing maintenance on the luminaire, and avoid direct eye exposure to the light source while it is on.
- To prevent wiring damage or abrasion, do not expose wiring to edges of sheet metal or other sharp objects.
- Do not install damaged product. Inspect luminaire for damage that may have occurred during transit. If damaged, contact the manufacturer immediately.
- These instructions do not purport to cover all details or variations in equipment nor to provide every possible contingency to meet in connection with installation, operation, or maintenance. Should further information be desired or should particular problems arise which are not covered sufficiently for the purchaser's or owner's purposes, contact the manufacturer.

⚠ ADVERTENCIA

- Antes de instalar, reparar o realizar el mantenimiento de rutina de este equipo, siga estas precauciones generales.
- Para reducir el riesgo de muerte, lesiones personales o daños a la propiedad por fuego, descarga eléctrica, caída de piezas, cortes / abrasiones y otros peligros, lea todas las advertencias y instrucciones incluidas con y en la caja del dispositivo y todas las etiquetas del dispositivo.
- Se requiere una conexión a tierra adecuada para garantizar la seguridad.
- Se debe apagar la energía en el disyuntor antes de la instalación o el mantenimiento.
- Este producto debe ser instalado de acuerdo con el código de instalación aplicable por una persona familiarizada con la construcción y operación del producto y los peligros involucrados.
- Utilice guantes y protección para los ojos en todo momento durante la instalación, el servicio o el mantenimiento de la luminaria, y evite la exposición directa de los ojos a la fuente de luz mientras está encendida.
- Para evitar daños o abrasiones en el cableado, no exponga el cableado a bordes de láminas de metal u otros objetos afilados.
- No instale un producto dañado. Inspeccione la luminaria en busca de daños que puedan haber ocurrido durante el tránsito. Si está dañado, comuníquese con el fabricante de inmediato.
- Estas instrucciones no pretenden cubrir todos los detalles o variaciones en el equipo ni proporcionar todas las posibles contingencias a cumplir en relación con la instalación, operación o mantenimiento. Si desea obtener más información o si surgen problemas particulares que no están suficientemente cubiertos para los propósitos del comprador o propietario, comuníquese con el fabricante.