



SELECTABLE ULTRA-THIN LED DOWNLIGHT

WARNING, CAUTION, SAFETY AND INSTALLATION INSTRUCTIONS

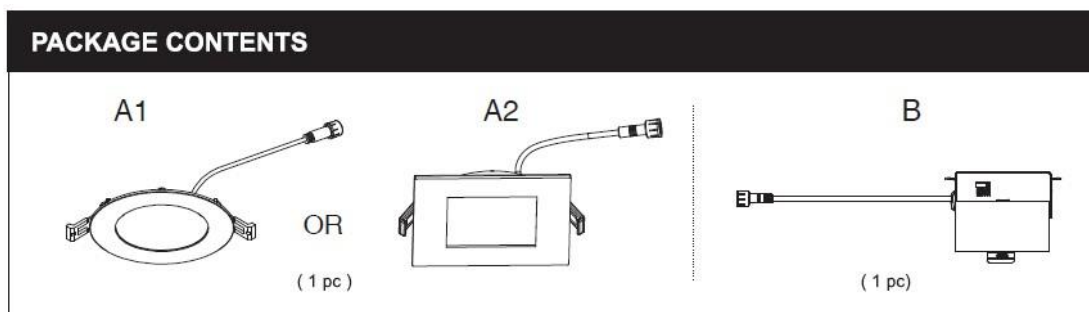
WARNING

- Installation, service, and maintenance of luminaires should be performed by a qualified licensed electrician.
- Install this product in accordance with country, regional, and local laws and regulations.

CAUTION

- Verify the supply voltage is correct by comparing it with the luminaire label.
- All wiring connections should be capped with UL approved wire connectors.

Package Contents



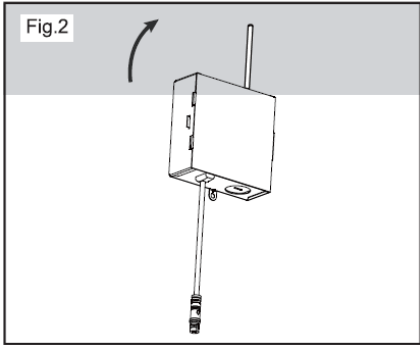
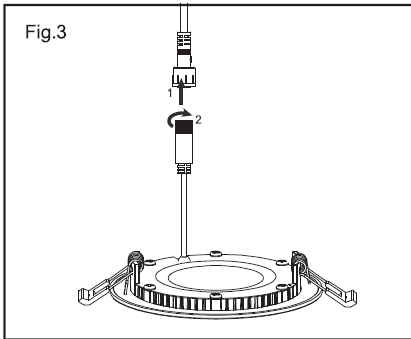
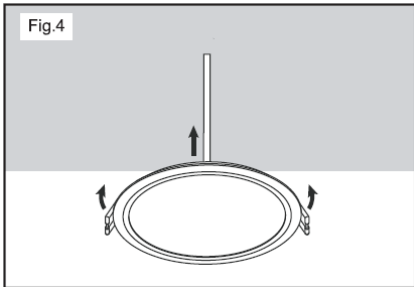
Installation Instructions

<ol style="list-style-type: none">1. Turn power off from the electrical panel before starting installation.2. Locate a suitable position to place the fixture and make a cut for mounting the fixture in accordance to the Cut Hole Size chart.	<p>Cut Hole Size</p> <table><tr><td>3 inch round</td><td>Ø3"(78mm)</td></tr><tr><td>3 inch square</td><td>Ø3"(82mm)</td></tr><tr><td>4 inch round</td><td>Ø4-1/4"(108mm)</td></tr><tr><td>4 inch square</td><td>Ø4-1/4"(108mm)</td></tr><tr><td>6 inch round</td><td>Ø6-1/4"(158mm)</td></tr><tr><td>6 inch square</td><td>Ø6-1/4"(158mm)</td></tr><tr><td>8 inch round</td><td>Ø8-1/4"(210mm)</td></tr><tr><td>8 inch square</td><td>Ø8-1/4"(210mm)</td></tr></table>	3 inch round	Ø3"(78mm)	3 inch square	Ø3"(82mm)	4 inch round	Ø4-1/4"(108mm)	4 inch square	Ø4-1/4"(108mm)	6 inch round	Ø6-1/4"(158mm)	6 inch square	Ø6-1/4"(158mm)	8 inch round	Ø8-1/4"(210mm)	8 inch square	Ø8-1/4"(210mm)
3 inch round	Ø3"(78mm)																
3 inch square	Ø3"(82mm)																
4 inch round	Ø4-1/4"(108mm)																
4 inch square	Ø4-1/4"(108mm)																
6 inch round	Ø6-1/4"(158mm)																
6 inch square	Ø6-1/4"(158mm)																
8 inch round	Ø8-1/4"(210mm)																
8 inch square	Ø8-1/4"(210mm)																
<ol style="list-style-type: none">3. Run wire in accordance to the local electric code from the power supply through the cut mounting hole.4. Open the hardwire box (Package Content B) swing cover and remove the appropriate knockout(s).5. Insert the power supply wires through the knockout and secure with a cable connector (not included).6. Make the appropriate wire connections according to all applicable electric codes (Fig. 1).	<p>Fig.1</p> <p>Black wire White wire Cable to fixture Green wire Power supply</p> <p>Adjustable S/CCT 2700K 3000K 3500K 4000K 5000K</p>																



SELECTABLE ULTRA-THIN LED DOWNLIGHT

WARNING, CAUTION, SAFETY AND INSTALLATION INSTRUCTIONS

<p>7. Place all wiring and connections back into the box and close the cover.</p> <p>8. Select the desired color temperature by sliding the CCT selector switch to the appropriate setting (Fig. 1).</p> <p>9. Insert the hardwire box through the cut mounting hole (Fig. 2).</p> <ul style="list-style-type: none">a. For new construction applications, the hardwire box should be secured to studs, joists, or similar structural units.b. For remodel applications, the hardwire box is not required to be secured after the mounting plates, studs, joists or structural units.	
<p>10. Connect the fixture to the hardwire box by inserting and twisting the male/female connectors (Fig. 3).</p>	
<p>11. Push the spring loaded clips on the fixture upwards and insert the fixture into the mounting hole. Release the clips to pull the fixture flush to the mounting surface. (Fig. 4)</p> <p>12. Turn on the power to confirm that the fixture is working properly.</p>	

Compatible Dimmers

COOPER	LEVITON	LUTRON
SI06P	6621	PD-6WCL
	6672	DVCL-153P
	IPL06-10Z	SFTU-5A3P
		DMD-LE3-D
		CTCL-153P
		DV-600P



⚠ WARNING

- Before installing, servicing, or performing routine maintenance upon this equipment, follow these general precautions.
- To reduce the risk of death, personal injury, or property damage from fire, electric shock, falling parts, cuts/abrasions, and other hazards, read all warnings and instructions included with and on the fixture box and all fixture labels.
- Proper grounding is required to ensure safety.
- Power must be turned off at the breaker before installation or maintenance.
- This product must be installed in accordance with the applicable installation code by a person familiar with the construction and operation of the product and the hazards involved.
- Wear gloves and eye protection at all times while installing, servicing, or performing maintenance on the luminaire, and avoid direct eye exposure to the light source while it is on.
- To prevent wiring damage or abrasion, do not expose wiring to edges of sheet metal or other sharp objects.
- Do not install damaged product. Inspect luminaire for damage that may have occurred during transit. If damaged, contact the manufacturer immediately.
- These instructions do not purport to cover all details or variations in equipment nor to provide every possible contingency to meet in connection with installation, operation, or maintenance. Should further information be desired or should particular problems arise which are not covered sufficiently for the purchaser's or owner's purposes, contact the manufacturer.

⚠ ADVERTENCIA

- Antes de instalar, reparar o realizar el mantenimiento de rutina de este equipo, siga estas precauciones generales.
- Para reducir el riesgo de muerte, lesiones personales o daños a la propiedad por fuego, descarga eléctrica, caída de piezas, cortes / abrasiones y otros peligros, lea todas las advertencias y instrucciones incluidas con y en la caja del dispositivo y todas las etiquetas del dispositivo.
- Se requiere una conexión a tierra adecuada para garantizar la seguridad.
- Se debe apagar la energía en el disyuntor antes de la instalación o el mantenimiento.
- Este producto debe ser instalado de acuerdo con el código de instalación aplicable por una persona familiarizada con la construcción y operación del producto y los peligros involucrados.
- Utilice guantes y protección para los ojos en todo momento durante la instalación, el servicio o el mantenimiento de la luminaria, y evite la exposición directa de los ojos a la fuente de luz mientras está encendida.
- Para evitar daños o abrasiones en el cableado, no exponga el cableado a bordes de láminas de metal u otros objetos afilados.
- No instale un producto dañado. Inspeccione la luminaria en busca de daños que puedan haber ocurrido durante el tránsito. Si está dañado, comuníquese con el fabricante de inmediato.
- Estas instrucciones no pretenden cubrir todos los detalles o variaciones en el equipo ni proporcionar todas las posibles contingencias a cumplir en relación con la instalación, operación o mantenimiento. Si desea obtener más información o si surgen problemas particulares que no están suficientemente cubiertos para los propósitos del comprador o propietario, comuníquese con el fabricante.