

INSTALLATION INSTRUCTIONS / DIRECTIVES D'INSTALLATION / INSTRUCCIONES

STAKS LED Recessed LED Center Element Troffer / Élément central LED encastré Troffer / Elemento central LED empotrado Troffer

*Model Number / Numéro des modèle / Número de Modelo

MODELS:

STAKS 1X4 ALO6 SWW7 IE10WCP
STAKS 2X2 ALO3 SWW7 IE10WCP
STAKS 2X4 ALO6 SWW7 IE10WCP

MODELS:

STAKS 1X4 ALO6 SWW7 CP
STAKS 2X2 ALO3 SWW7 CP
STAKS 2X4 ALO6 SWW7 CP

5-YEAR LIMITED PRODUCT WARRANTY

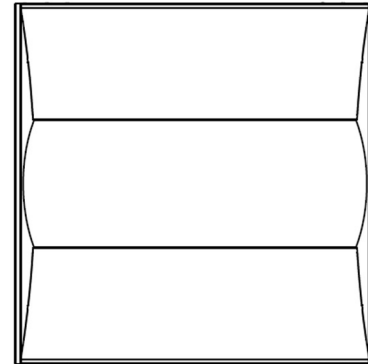
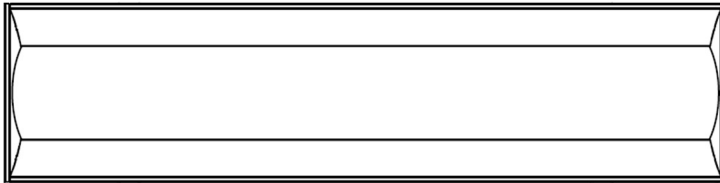
Visit www.acuitybrands.com to view the terms and conditions of your Acuity Brands Lighting, Inc. limited warranty.

PRODUIT À GARANTIE LIMITÉE DE 5 ANS

Consulter le www.acuitybrands.com pour voir les conditions générales de votre garantie Acuity Brands Lighting, Inc. limitée.

GARANTÍA DEL PRODUCTO LIMITADA DURANTE 5 AÑOS

Visite www.acuitybrands.com para ver los términos y las condiciones de la garantía limitada de Acuity Brands Lighting, Inc.



***SAVE THESE INSTRUCTIONS**
***CONSERVEZ CES INSTRUCTIONS**
***GUARDE ESTAS INSTRUCCIONES**

AcuityBrands.

ACUITY BRANDS LIGHTING, INC.
ONE LITHONIA WAY, CONYERS, GA 30012
www.AcuityBrands.com

1-800-705-SERV (7378)

Protect yourself. Before installing, read these instructions carefully and save them for future reference.

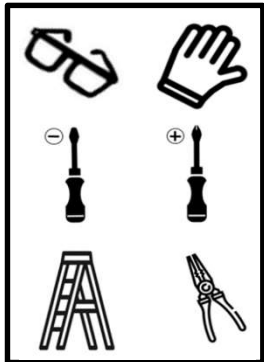
Date Installed: _____

Pour votre propre protection. Avant de procéder à l'installation, veuillez lire attentivement ces directives et les conserver pour référence ultérieure.

Date de l'installation : _____

Protégase. Antes de instalar, lea estas instrucciones cuidadosamente y guárdelas para futura referencia.

Fecha Instalada: _____



TOOLS REQUIRED FOR INSTALLATION

- Safety Glasses
- Protective Gloves
- Flat Blade Screwdriver
- Philips Screwdriver
- Ladder
- Wire Strippers

OUTILS REQUIS POUR L'INSTALLATION

- Lunettes de Sécurité
- Gants de Protection
- Tournevis Plat
- Tournevis Philips
- Échelle
- Pince à Dénuder

HERRAMIENTAS NECESARIAS PARA LA INSTALACIÓN

- Lentes de Seguridad
- Guantes Protectores
- Destornillador Plano
- Destornillador Philips
- Escalera
- Pelacables

THIS PRODUCT MUST BE INSTALLED IN ACCORDANCE WITH THE APPLICABLE INSTALLATION CODE BY A PERSON FAMILIAR WITH THE CONSTRUCTION AND OPERATION OF THE PRODUCT AND THE HAZARDS INVOLVED

CE PRODUIT DOIT ÊTRE INSTALLÉ SELON LE CODE D'INSTALLATION PERTINENT, PAR UNE PERSONNE QUI CONNAÎT BIEN LE PRODUIT ET SON FONCTIONNEMENT AINSI QUE LES RISQUES INHÉRENTS

Installation Instructions

****Caution: MAKE SURE LUMINAIRE IS MOUNTED TO A SECURE STRUCTURE. USE APPROPRIATE MOUNTING HARDWARE TO INSTALL FIXTURE RATED FOR YOUR APPLICATION. FAILURE TO MOUNT FIXTURE CORRECTLY COULD RESULT IN SERIOUS INJURY.**

ABOVE CEILING ACCESS REQUIRED

PRODUCT OVERVIEW:

NOTE: Illustrations are used for reference only and can differ slightly from the actual fixture being installed. Key components are represented as accurately as possible. Please see the specification sheet for description of orderable options.

FIG 1: BACK OF EMERGENCY FIXTURE

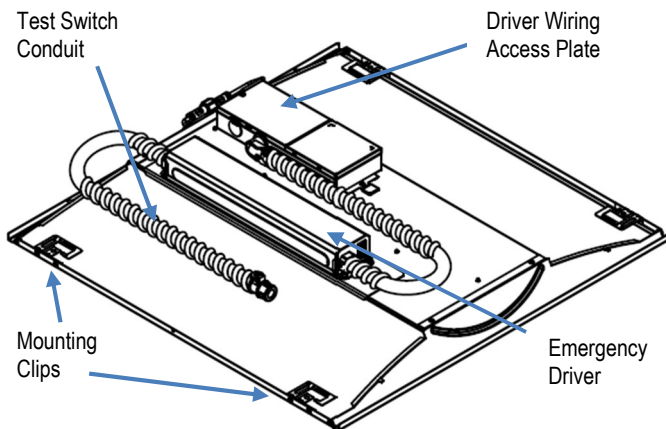
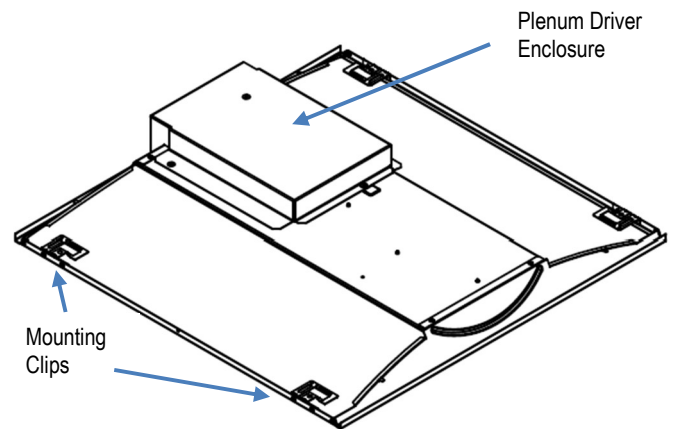


FIG 2: BACK OF CHICAGO PLENUM FIXTURE



WIRE ACCESS ZONES:

FIG 3: EMERGENCY WIRING ACCESS

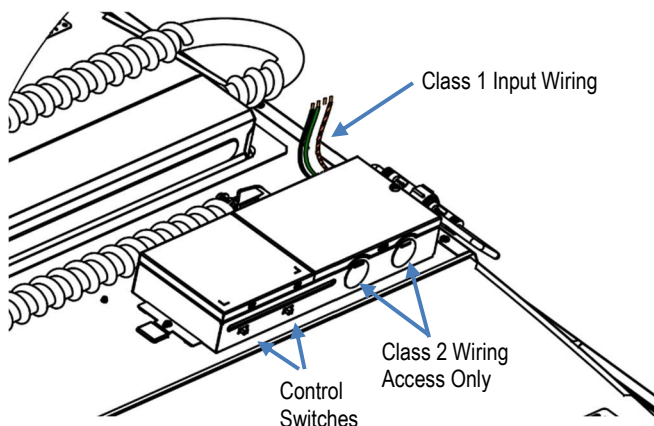
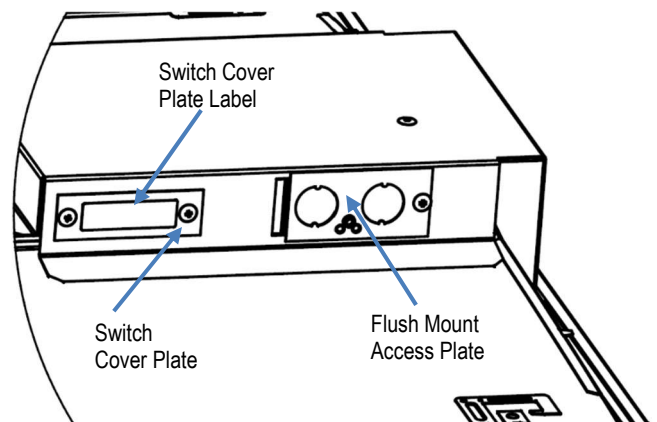


FIG 4: CHICAGO PLENUM ACCESS



WIRING:

1. Using a screwdriver (not supplied), remove access plate as shown in Figures 3 & 4, with grid power OFF make electrical connections from supply and properly ground as local codes dictate. See Figure 5.
 - a. GREEN wire – Ground
 - b. WHITE wire – Neutral line in
 - c. BLACK wire – Hot line in
2. If the dimming leads (purple & pink) aren't being used, cap them off (if not already done).
Dimming leads are for low voltage dimming only.
 - a. PURPLE wire – 0-10V (+) (can be capped off if not in use)
 - b. PINK wire – 0-10V (-) (can be capped off if not in use)
3. Reinstall access plate with screwdriver.

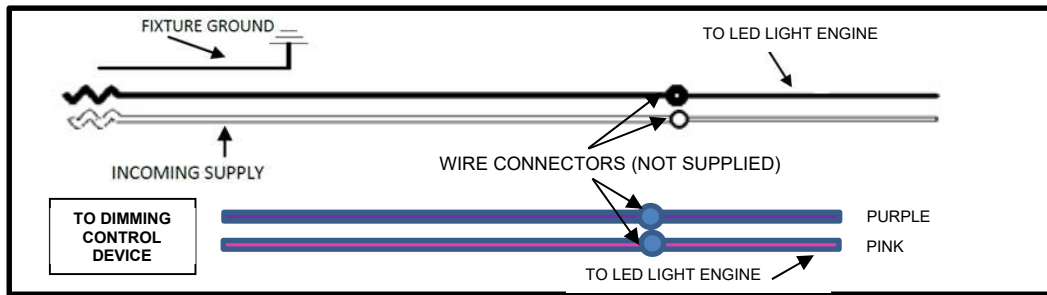


FIG 5: WIRING DIAGRAM

4. (OPTION) Set the adjustable lumen and selectable white switches (ALO SWW) to desired setting (SEE CONTROLS SECTION)

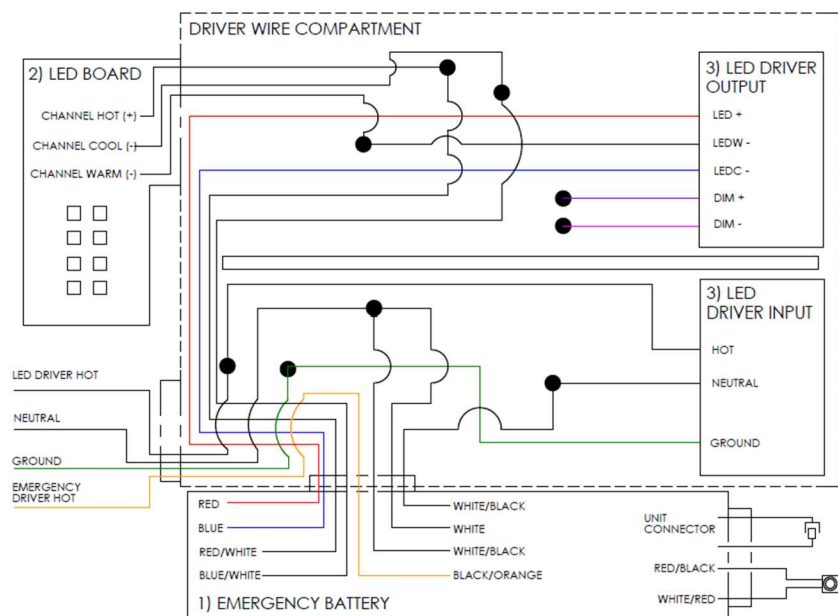
WIRING, CONTINUED:

5. (BATTERY WITH ALO SWW OPTION) If fixture includes **factory installed emergency battery** and ALO SWW control option. See Figure 6.

- a. GREEN wire – Ground
- b. WHITE wire – Shared Neutral line in
- c. BLACK wire – Switched Hot line in
- d. Labeled BLACK wire – Unswitched Hot line in to charge emergency battery
- e. TEST SWITCH – Can be mounted in adjacent ceiling tile with included face plate and junction box (not included)

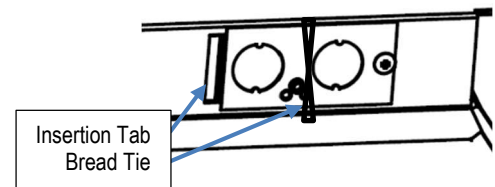
FIG 6: FACTORY BATTERY WIRING DIAGRAM WITH ALO SWW

Note: The emergency battery will only energize the higher color LEDs when in emergency mode (normal power removed). It will not be possible to control the dimming or color when in emergency mode.



6. (ACCESSORY BATTERY OPTION) Refer to the wiring diagram included with battery unit if the fixture is ordered **with an accessory externally mounted battery**.
7. (CHICAGO PLENUM WITH ALO SWW OPTION) If fixture includes **chicago plenum enclosure, flush mounted access plate** and ALO SWW control option. See Figure 7.
- Flush mounted access plate must be utilized in compliance with CCEA guidelines. Aluminum tape must be replaced around insertion tab of the access plate See figure 7.
 - All non-metallic items, including bread tie provided, must be removed after install is completed to be compliant with CCEA guidelines.

FIG 5: CHICAGO PLENUM ACCESS PLATE



MOUNTING:

NOTE: Refrain from bending the T-Grid clips multiple times prior to installation to prevent damage to clip.

- For mounting to T-Grid structure:
 - Place the fixture in the appropriate T-Grid ceiling structure. See Figure 8.
 - From above ceiling, bend the attached T-Grid clips over the T-Grid ceiling on all 4 corners to secure the fixture to the T-Grid. See Figure 9.
- For suspension mounting (or additional T-Grid support):
 - Use hanger wire holes at all 4 corners and appropriately rated hanging cables (not included) to suspend fixture. See figure 10.

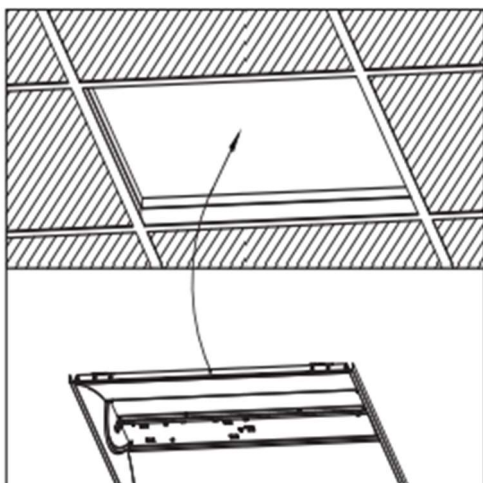


FIG. 8: CEILING INSTALLATION

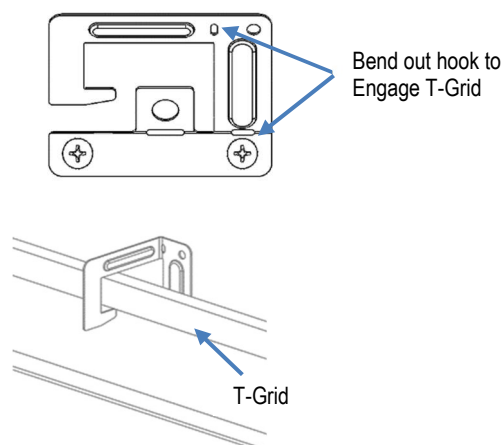


FIG. 9: T-GRID MOUNTING

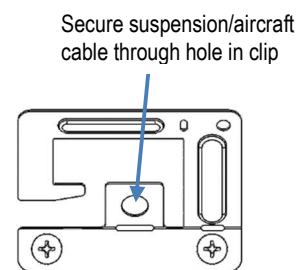


FIG. 10: SUSPENSION MOUNTING

CONTROLS / OPTIONS:

1) (STANDARD) 0-10V DIMMING

- a. See WIRING section (page 4) for connection details
- b. For use with low voltage 0-10V controls (wall dimmers, remote occupancy sensors, or other devices) – not supplied.

2) (OPTION) ALO SWW (ADJUSTABLE LUMEN, SWITCHABLE WHITE)

- a. Two switches located on the side of the Main Driver Enclosure allow for adjustment of the light output and the color of light (CCT) produced. See Figure 11 and 12.
- b. The switch on the left can be used to set lumens to low (left position), medium (center), or high (right position).
- c. Similarly, the switch on the right can be used to set the CCT to 3500K (left position), 4000K (center), or 5000K (right position).
- d. Once installed, the switches will not be accessible to adjust without access above the ceiling. Please confirm the switches are in the desired position before completing installation. Fixture ships set to highest lumens and 4000K color.

NOTE: If using 0-10V low voltage dimming with ALO SWW fixtures, connect fixtures to low voltage dimming controls per WIRING section (page 4). Please make sure that all the Adjustable Lumen Output switches are set to their highest setting. If the ALO switch of any fixture is set in the medium or low position, then all fixtures that are on that control circuit will be limited in their maximum output to the lowest switch setting.

NOTE FOR USE WITH BACKUP POWER: Any **non-powered** ALO SWW fixture connected to a group by 0-10V controls will create a load on the dimming circuit and will dim all attached fixtures. If using fixtures with a backup power device (like a generator) where only a few of the fixtures in a group will be powered when normal power is lost, then a means of disconnecting the backup powered fixtures from the 0-10V circuit will be required to insure they will operate at full output (still limited by Adjustable Lumen Output switch setting).

FIG. 11: STAKS 1x4 AND 2x4 ALO SWW SELECTION SWITCH



FIG. 12: STAKS 2x2 ALO SWW SELECTION SWITCH



SAVE THESE INSTRUCTIONS / CONSERVEZ CES INSTRUCTIONS / GUARDE ESTAS INSTRUCCIONES



Contractor Resources

Check out helpful programs, tools, installation videos and more!

Ressources de l'entrepreneur

Découvrez des programmes utiles, des outils, des vidéos d'installation et plus encore !

Recursos del Contratista

¡Vea programas útiles, herramientas, videos de instalación y más!





Importado por:
Holophane, S.A. de C.V.

Av, La Silla #7711
Parque Industrial La Silla
Guadalupe, N.L. C.P. 67193
Tel: 52-81-8318-0460

LUMINARIOS

Marcas: Lithonia Lighting

PRECAUCION: Por su seguridad y el funcionamiento adecuado del luminario, **lea cuidadosamente las siguientes instrucciones antes de empezar la instalación.**

Este instructivo aplica a todos los luminarios de Lithonia Lighting para uso interior y/o exterior. El número de catálogo específico, y sus características eléctricas, se encuentran en la etiqueta del producto.

1. Desconecte la alimentación eléctrica de la caja de fusibles antes de instalar el luminario.
2. Abra el luminario para tener acceso a los cables de conexión.
3. Monte el luminario en la ubicación deseada, y asegúrela utilizando dispositivos mecánicos adecuados.
4. Utilizando capuchones aislantes, conecte los cables del luminario. Si el luminario tiene un cable blanco y uno negro, conecte el blanco al neutro del circuito de alimentación y el negro a la "línea", aterrice el luminario. En el caso de equipos con mas cables de conexión, identifique el adecuado a la línea de alimentación (todas vienen marcadas con etiquetas) y conéctela a la "línea" de la alimentación, conecte la punta marcada con "com" al neutro de la alimentación. Asegúrese de aislar perfectamente los cables que no utilizo.
5. En los casos en que aplique, reinstale la cubierta del balastro o controlador.
6. Reestablezca la alimentación eléctrica en la caja de fusibles y verifique la operación del luminario.

GUARDE ESTAS INSTRUCCIONES