



Wattage/Color Selectable LED Canopy Light PLT-12694B



Electrical Information					
Model No.	NPS-00358*	PLT-12694B	NPS-00359*	NPS-00360*	NPS-00361*
Power Consumption(W)	25/19/13/7.5 (Selectable)	40/30/20/12 (Selectable)	60/45/30/18 (Selectable)	80/60/40/24 (Selectable)	100/75/50/30 (Selectable)
Power Supply	Becky				
Input Voltage	120-277Vac, 50/60 Hz				
Power Factor	>0.9				
Surge Protection	4kV line-line, 6kV line-earth				
Driver Type	Constant current (CC)				
Control	Dimming*, Microwave sensor*, PIR sensor*				
Note	NA				

¹ The tolerance for power is ±5%. *Alternate fixtures and control options available via Special Order. Call 1-800-624-4488

Optic Information					
LED Type	LED 2835				
Luminous Flux@4000K Ra70 (lm)**	4000	6400	9600	12800	16000
Efficacy@3000K Ra70(lm/W)	140				
Efficacy@4000K Ra70(lm/W)	160				
Efficacy@5000K Ra70(lm/W)	150				
Correlated Color Temperature	3000K, 4000K, 5000K Selectable				
Color Rendering Index	Ra70 (Ra80 optional)				
Beam Angle	U00C09 (Type V)			U00C07 (Type V)	

² The tolerance for luminous flux is ±10%. **See Selectable Table for full breakdown.

Dimensions and Mount		
Product Dimension (mm/inch)	φ272x78/φ10.7x3	φ322x84/φ12.7x3.3
Luminaire Net Weight (kg/lbs)	2.1/4.63	2.6/5.73
Export Carton Size (mm/inch)	330x330x130/13x13x5.12	375x375x140/14.76x14.76x5.51
Gross Weight (kg/lbs)	2.8/6.1	3.8/8.4
Mounting Option	Surface mounting, Conduit mounting	
Material	Aluminum alloy Polycarbonate optical lens	
Finish	Powder coating	
Fixture Color	White (RAL9016)	
EPA	NA	
IK Rating	IK08	
IP Rating	IP65	

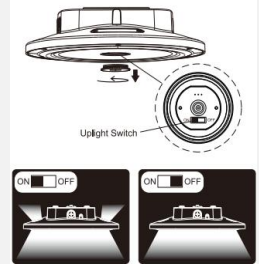
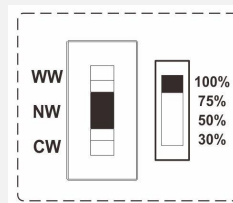
³ The tolerance for weight is ±6%.

***Optional sensors available via Special Order. Call 1-800-624-4488

Lifespan and Warranty		
Operating Temperature(°C/°F)	-30 to + 50 / (-22 to +122)	-30 to + 45/ (-22 to +113)
Operating Temperature of Emergency Solution(°C/°F)	0 to + 40 / (32 to +104)	
Lifespan of LED @Ta=25°C(hours)	L80-91000 L70-153000	
Warranty (years)	5	

New Features

- Up light on/off switch
- 3 CCTs & power selectable (30%, 50%, 75%, 100%)
- External emergency back up optional***
- PIR / microwave sensor*** (only works with 100% output)



Description

Terse design of appearance, simple and light structure, more in line with the modern aesthetic. Uplight is a standard design feature, which eliminates the "cave effect" often caused by traditional parking garage light, making them ideal for applications that require more attention to the ambiance.

Key Features

- Has on/off switch for up light, allowing you to turn it off
- ADC12 die-casting aluminum, which has excellent heat dissipation effect.
- High output efficiency up to 165lm/W.
- PIR/microwave sensor are optional***
- 3CCT & 4 power adjustable.
- Up light switch as standard.
- The uplight flux accounts for 5%-10% of the total fixture light flux.
- 3/4"NPT mount and ceiling mount are available.
- IP65 &IK08.

Applications

- Indoor parking area
- Garage
- Basement

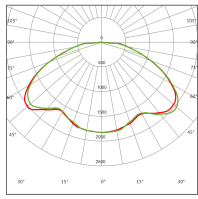
Selectable Table

Wattage	CCT	Total Lumens	Efficacy
12W	3000K	1700	141
	4000K	1751	145
	5000K	1839	153
20W	3000K	3070	153
	4000K	3255	162
	5000K	3309	165
30W	3000K	4392	146
	4000K	4731	157
	5000K	4713	157
40W	3000K	5911	147
	4000K	6360	159
	5000K	6318	157

Wattage/Color Selectable LED Canopy Light PLT-12694B

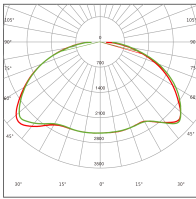
Photometry

25W/40W/60W beam angle



U00C09

80W/100W beam angle*



U00C07

*Available via Special Order. Call 1-800-624-4488

Mounting Options



Surface mounting

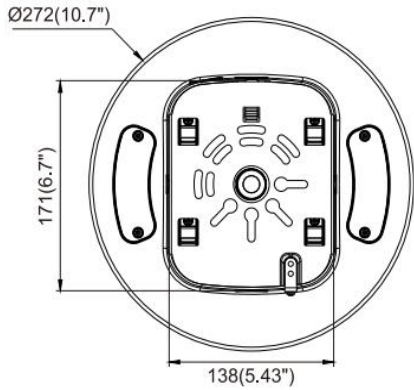
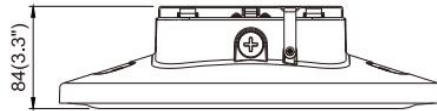
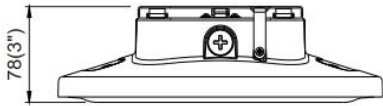


Conduit mounting*

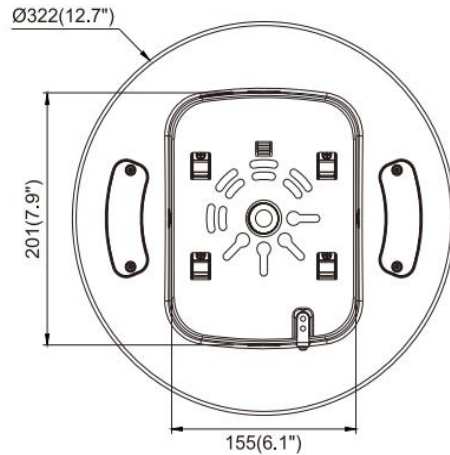
*Available via Special Order. Call 1-800-624-4488

Dimensions

Unit:mm/inch



12W/20W/30W/40W



80W/100W*

*Available via Special Order. Call 1-800-624-4488

Accessories



Motion sensor
PC
Φ52*20mm
Code: NPS-00362*



PIR sensor
PC
Φ61*28mm
Code: NPS-00363*

*Available via Special Order. Call 1-800-624-4488