

LED Luminaires

Commercial Slim Downlight

- Select from Five Color Temperatures
- IC, Air Tight and Wet Location Rated
- Triac/ELV or 0-10V Dimmable with the Same Driver

Specifications

Description

The Commercial Slim Downlight family of fixtures are designed with the installer and end user in mind. Spring clips with remote mounted driver box eliminate the need for additional housings. Selectable color temperature and multiple technologies mean one fixture can fulfill the lighting needs for many different applications from residential to hospitality to commercial spaces.

Performance

- Field Selectable CCT (2700K, 3000K, 3500K, 4000K, 5000K)
- Field Selectable lumen output
- 120-277V, 50/60 Hz Triac/ELV and 0-10V dimming driver to 10%
- 90 CRI
- L70 Lumen maintenance > 50,000 hours
- Up to 109 lumens per watt
- 5 Year Limited Warranty

Certifications

- cETLus rated for wet locations
- Air tight certified per ASTM E283-2004
- IC rated for direct contact with insulation
- Energy Star rated
- Complies with California T24 standards
- RoHS compliant
- FCC Part 15 compliant



Construction

- Aluminum housing
- Canless design with spring retention clips and remote mounted driver box
- Edge Lit LED design with frosted PMMA diffuser
- Field selectable CCT switch
- Field selectable lumen output switch
- Remote driver box with plenum rated quick connect cord

Commercial Slim Downlight

Ordering Logic:

Series	Product Size	Lumen Output	CRI/CCT	Trim	Voltage/Dimming
CDSL = Commercial Slim Downlight	4 = 4" 6 = 6" 8 = 8"	LS = Lumen Selectable 4": 500/700/900 6": 700/900/1100 8": 900/1100/1500	CS = 90 CRI, Color Selectable (27K/30K/35K/40K/50K)	ST = Smooth Trim BT = Baffle Trim	DDV = Dual Dimming Universal 120-277V 0-10V Dimming OR 120V TRIAC/ELV

Ordering Information

Product SKU	Product Code	Product Description
89168	CSDL-4-LS-CS-ST-DDV	Commercial Slim Downlight 4in 13W Lumen Select 500/700/900lm 2700-5000K Color Selectable Smooth Trim 120-277V Dimmable TRIAC/ELV & 0-10V
89169	CSDL-6-LS-CS-ST-DDV	Commercial Slim Downlight 6in 15W Lumen Select 700/900/1100lm 2700-5000K Color Selectable Smooth Trim 120-277V Dimmable TRIAC/ELV & 0-10V
89170	CSDL-8-LS-CS-ST-DDV	Commercial Slim Downlight 8in 18W Lumen Select 900/1100/1500lm 2700-5000K Color Selectable Smooth Trim 120-277V Dimmable TRIAC/ELV & 0-10V
89171	CSDL-4-LS-CS-BT-DDV	Commercial Slim Downlight 4in 13W Lumen Select 500/700/900lm 2700-5000K Color Selectable Baffle Trim 120-277V Dimmable TRIAC/ELV & 0-10V
89172	CSDL-6-LS-CS-BT-DDV	Commercial Slim Downlight 6in 15W Lumen Select 700/900/1100lm 2700-5000K Color Selectable Baffle Trim 120-277V Dimmable TRIAC/ELV & 0-10V
89173	CSDL-8-LS-CS-BT-DDV	Commercial Slim Downlight 8in 18W Lumen Select 900/1100/1500lm 2700-5000K Color Selectable Baffle Trim 120-277V Dimmable TRIAC/ELV & 0-10V
Accessories		
89166	FSDLS/RP3RD	ProLED Select Direct Fit Slim Downlight Rough In Pan 3"
89104	FSDLS/RP4RD	ProLED Select Direct Fit Slim Downlight Rough In Pan 4"
89105	FSDLS/RP6RD	ProLED Select Direct Fit Slim Downlight Rough In Pan 6"
89129	DFDLS-RP-468-RD	ProLED Select Direct Fit Slim Downlight Adjustable Rough In Pan 4", 6", 8"
89142	ACC-NCP-ABH-4R	4" Round New Construction Pan w/Adjustable Bar Hangers
89143	ACC-NCP-ABH-6R	6" Round New Construction Pan w/Adjustable Bar Hangers
89102	FSDLS/EXT12	ProLED Select Direct Fit Slim Downlight Extension Cable 12"
89120	DFDLS4-RT-RD-BK	ProLED Select Direct Fit Slim Downlight 4" Round Replaceable Trim Black
89121	DFDLS6-RT-RD-BK	ProLED Select Direct Fit Slim Downlight 6" Round Replaceable Trim Black
89122	DFDLS8-RT-RD-BK	ProLED Select Direct Fit Slim Downlight 8" Round Replaceable Trim Black
89123	DFDLS4-RT-RD-SN	ProLED Select Direct Fit Slim Downlight 4" Round Replaceable Trim Satin Nickel
89124	DFDLS6-RT-RD-SN	ProLED Select Direct Fit Slim Downlight 6" Round Replaceable Trim Satin Nickel
89125	DFDLS8-RT-RD-SN	ProLED Select Direct Fit Slim Downlight 8" Round Replaceable Trim Satin Nickel
89126	DFDLS4-RT-RD-BZ	ProLED Select Direct Fit Slim Downlight 4" Round Replaceable Trim Bronze
89127	DFDLS6-RT-RD-BZ	ProLED Select Direct Fit Slim Downlight 6" Round Replaceable Trim Bronze
89128	DFDLS8-RT-RD-BZ	ProLED Select Direct Fit Slim Downlight 8" Round Replaceable Trim Bronze

Commercial Slim Downlight

Performance Table

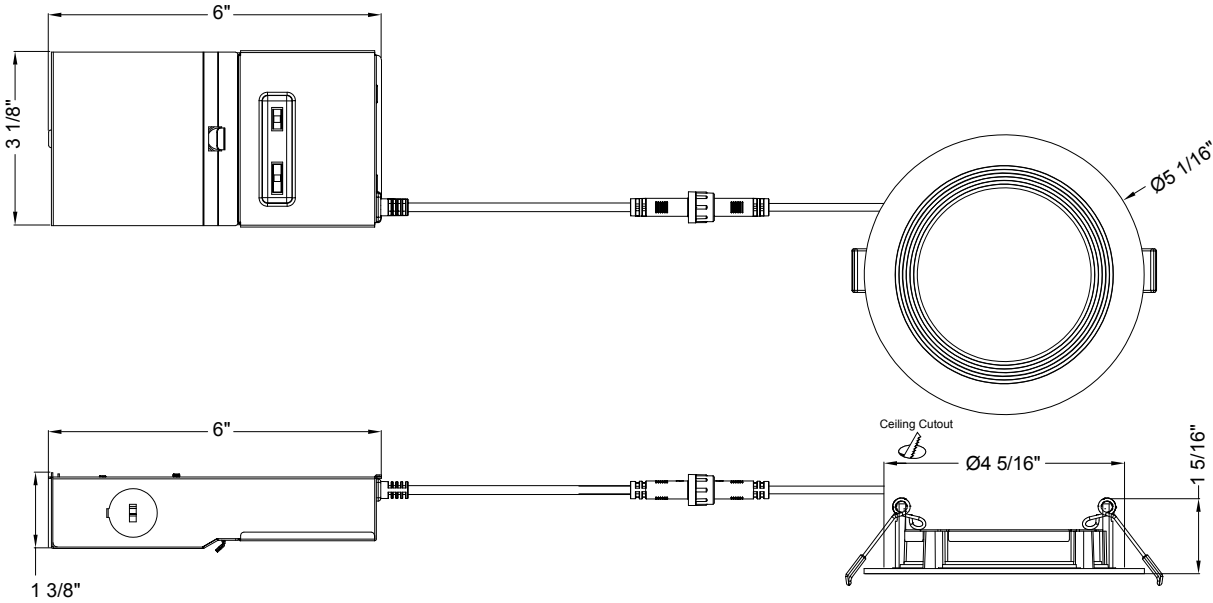
Product Code	Wattage	2700K		3000K		3500K		4000K		5000K	
		Lumen (lm)	Efficacy (lm/W)	Lumen (lm)	Efficacy (lm/W)	Lumen (lm)	Efficacy (lm/W)	Lumen (lm)	Efficacy (lm/W)	Lumen (lm)	Efficacy (lm/W)
CSDL-4-LS-CS-ST-DDV	13	1007	76	1099	86	1136	88	1137	88	1126	87
CSDL-6-LS-CS-ST-DDV	15	1182	80	1226	84	1254	86	1272	88	1249	86
CSDL-8-LS-CS-ST-DDV	18	1579	91	1706	101	1754	103	1776	105	1745	102
CSDL-4-LS-CS-BT-DDV	13	964	75	998	77	1037	80	1050	82	1026	78
CSDL-6-LS-CS-BT-DDV	15	1104	75	1152	78	1184	81	1210	83	1173	81
CSDL-8-LS-CS-BT-DDV	18	1562	90	1646	94	1704	97	1721	99	1681	96

Specifications Table

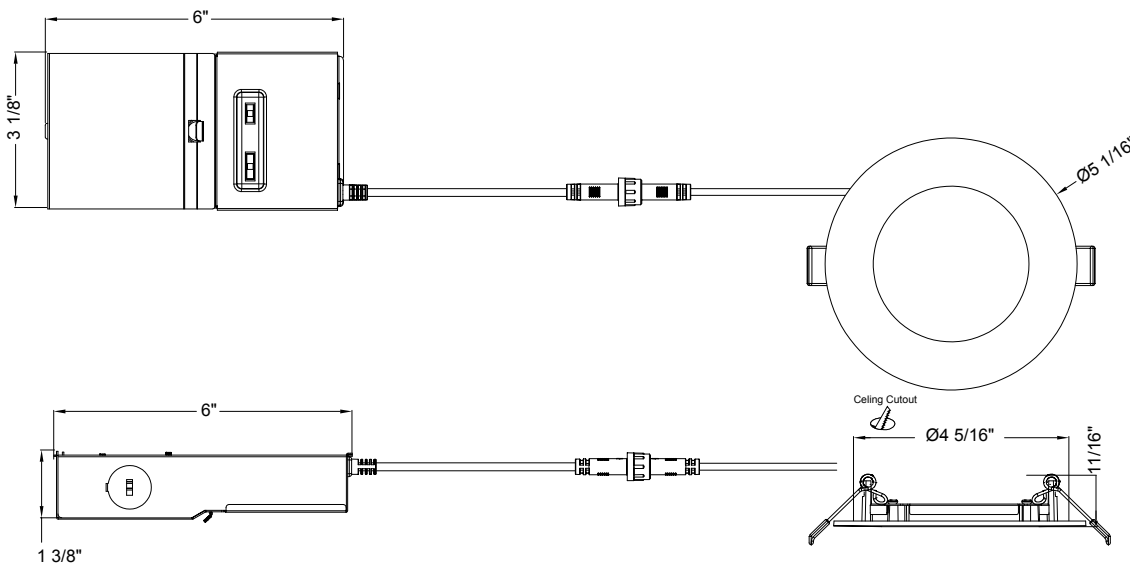
	CSDL-4-LS-CS-XX-DDV	CSDL-6-LS-CS-XX-DDV	CSDL-8-LS-CS-XX-DDV
Nominal Wattage	13W	15W	18W
Delivered Lumens	500/700/900	700/900/1100	900/1100/1500
Efficacy (lm/W)	88	88	105
CCT	Selectable - 2700K, 3000K, 3500K, 4000K, 5000K		
CRI	90+		
Beam Angle	110°		
L70 Lifetime (hrs)	50,000		
Voltage	120V, 50/60Hz		
Power Factor	>0.9		
Dimming	Triac/ELV and 0-10V		
Housing Material	Aluminum		
Lens	PMMA		
Operating Temperature	-20°C to 40°C		
Listings	cETLus, FCC, RoHS, Wet Location, IC Rated, Air Tight, JA8, Energy Star®		
Environment	Wet Location, IC Rated, Air Tight		
Warranty	5 Years Standard		

Commercial Slim Downlight Dimensions

CSDL-4-LS-CS-BT-DDV

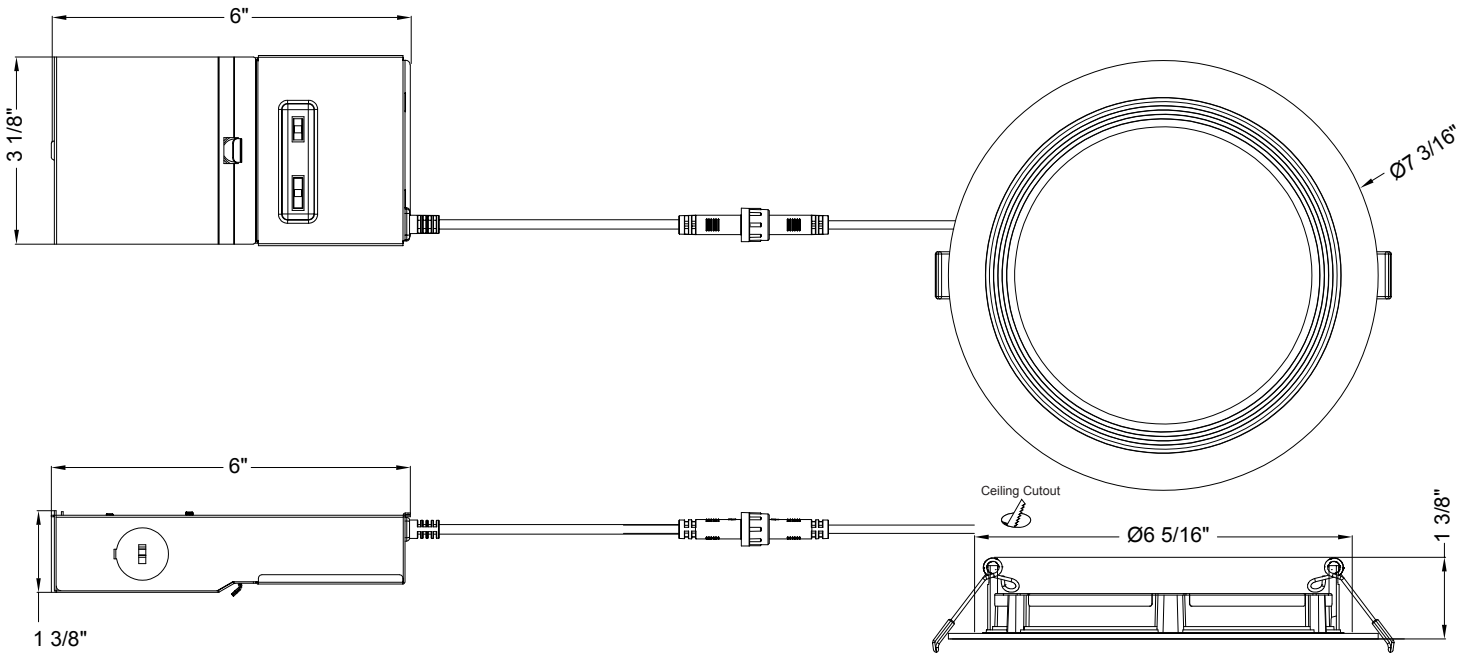


CSDL-4-LS-CS-ST-DDV

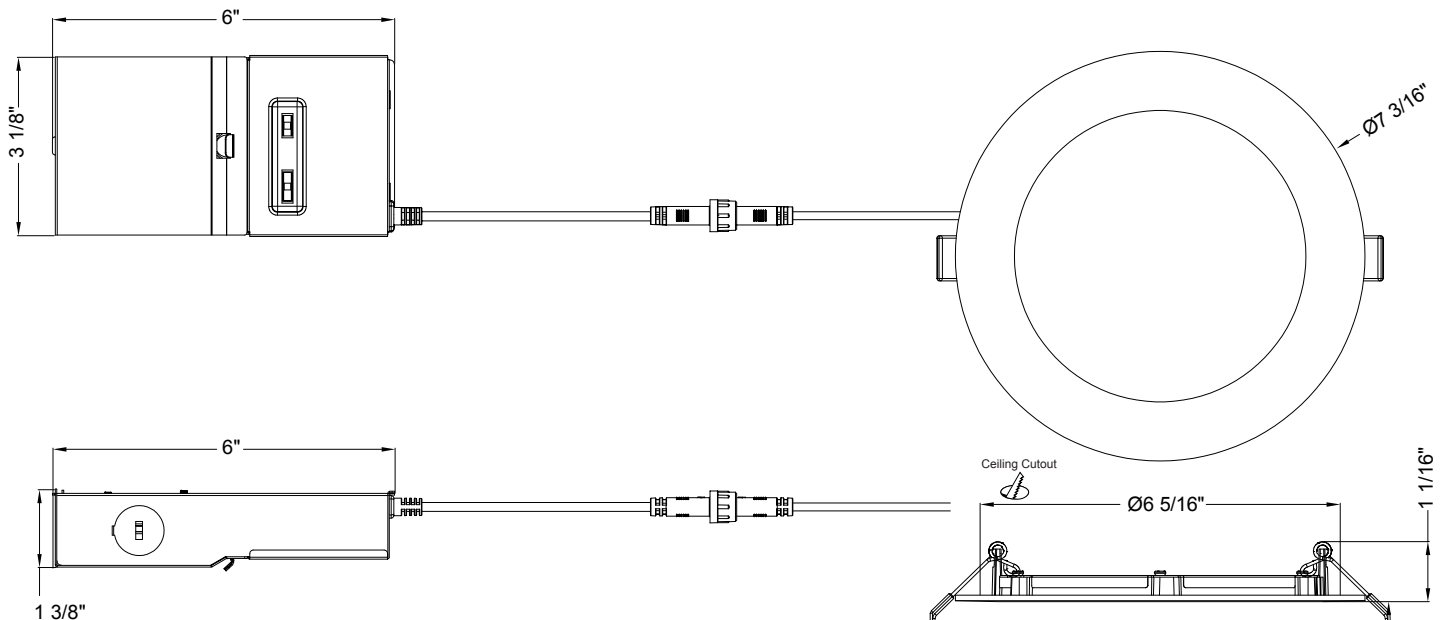


Commercial Slim Downlight Dimensions

CSDL-6-LS-CS-BT-DDV

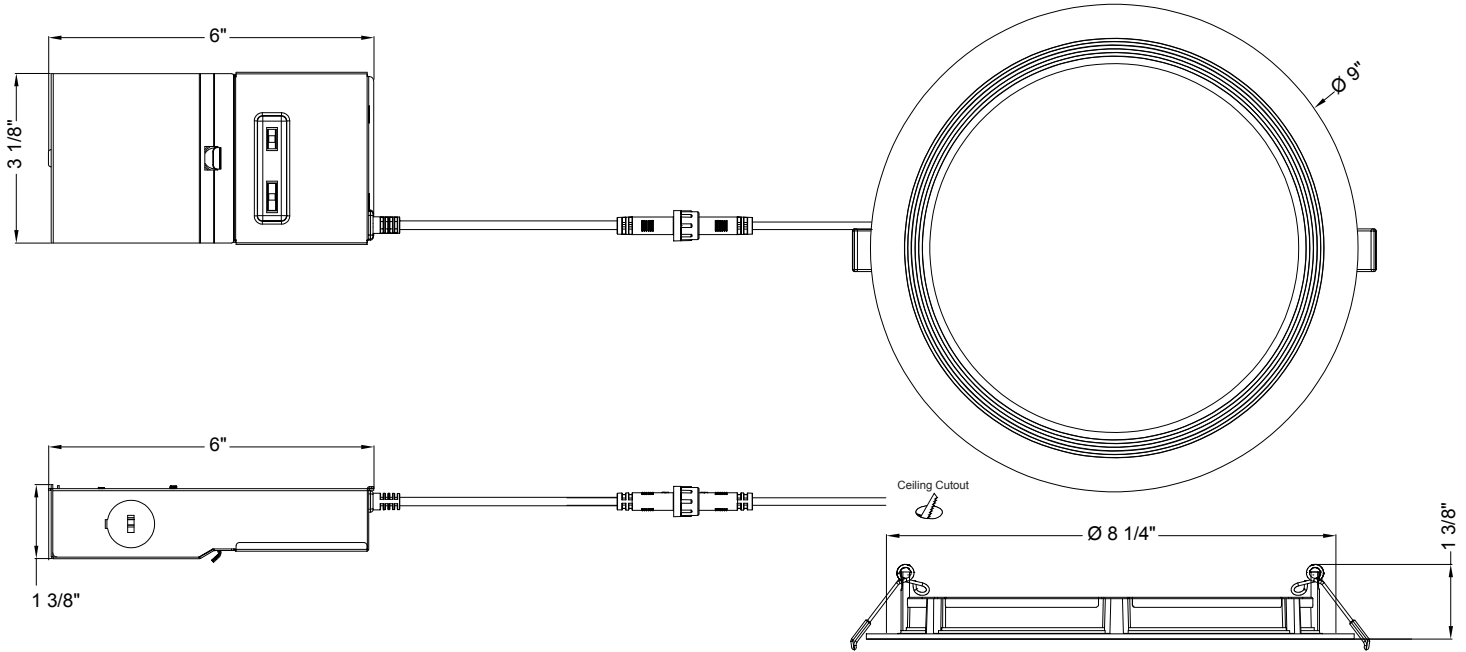


CSDL-6-LS-CS-ST-DDV

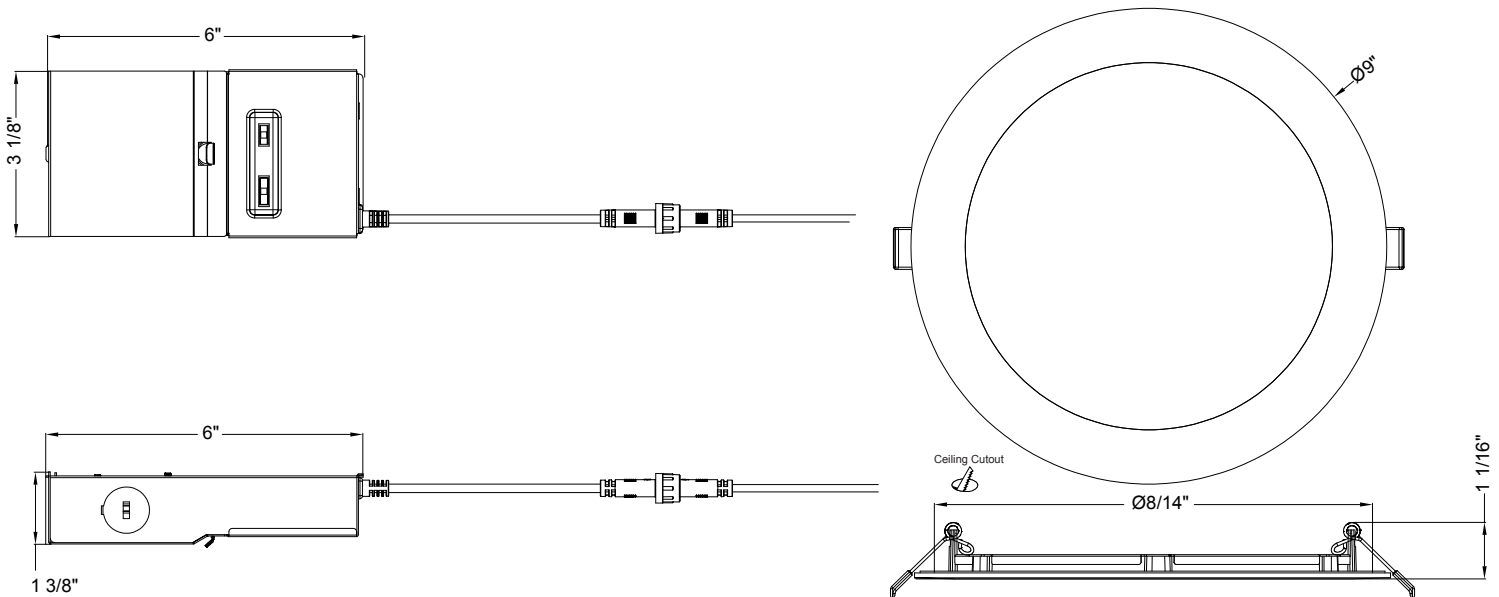


Commercial Slim Downlight Dimensions

CSDL-8-LS-CS-BT-DDV

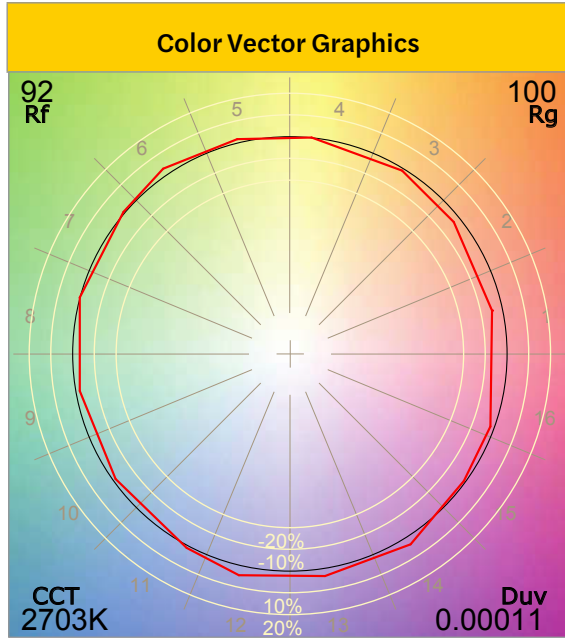
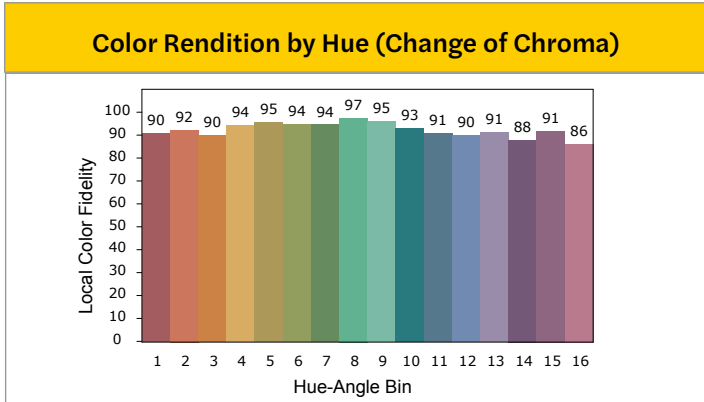


CSDL-8-LS-CS-ST-DDV



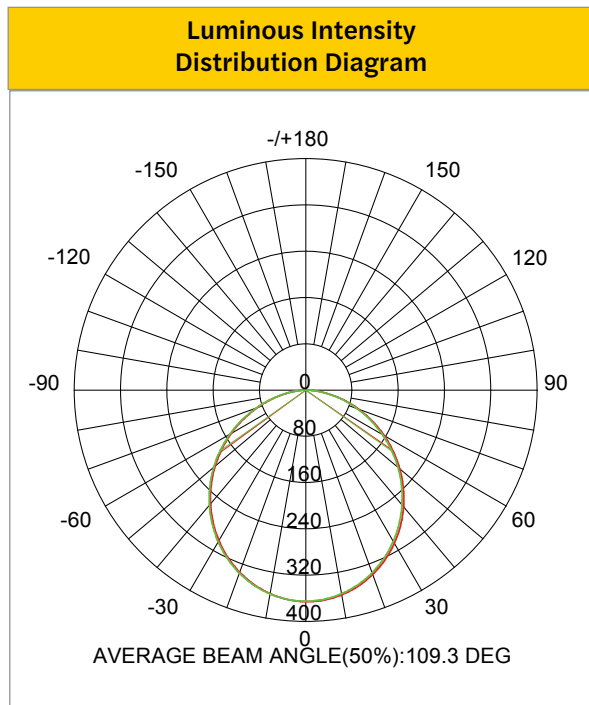
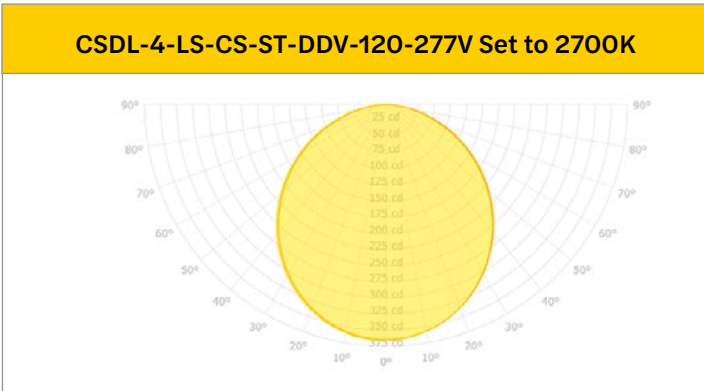
Commercial Slim Downlight Photometrics*

89168-CSDL-4-LS-CS-ST-DDV



Color Metrics

RF	92
RG	100



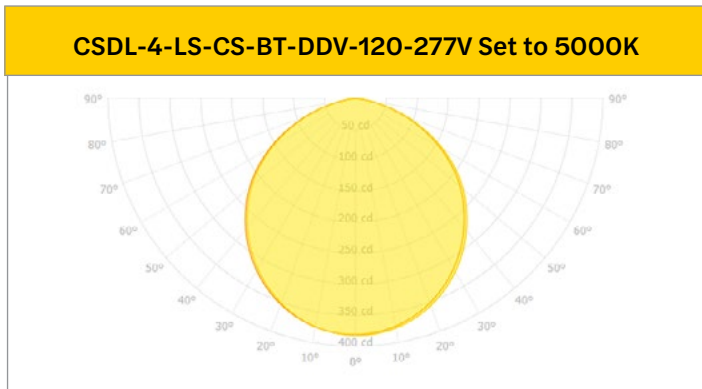
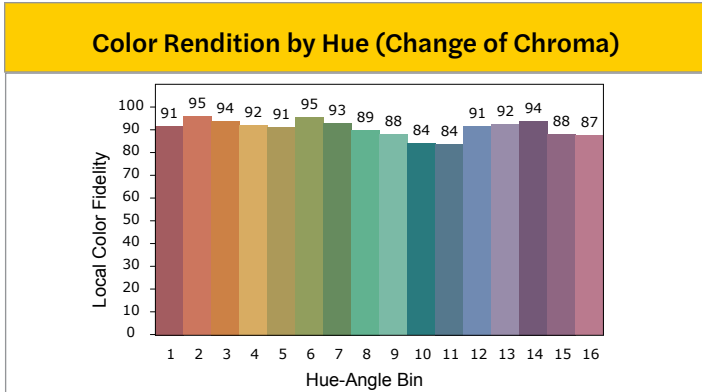
Zonal Lumen Summary

LCS Zone	Lumens	%Fixture
0° - 10°	35	3%
10° - 20°	98	10%
20° - 30°	148	15%
30° - 40°	176	18%
40° - 50°	181	18%
50° - 60°	161	16%
60° - 70°	121	12%
70° - 80°	69	7%
80° - 90°	17	2%
0° - 90°	1007	100%

*The Diagrams and zonal lumen summaries represent each fixture at highest wattage selection and at 2700K. For complete photometry/IES files, please contact Halco lighting.

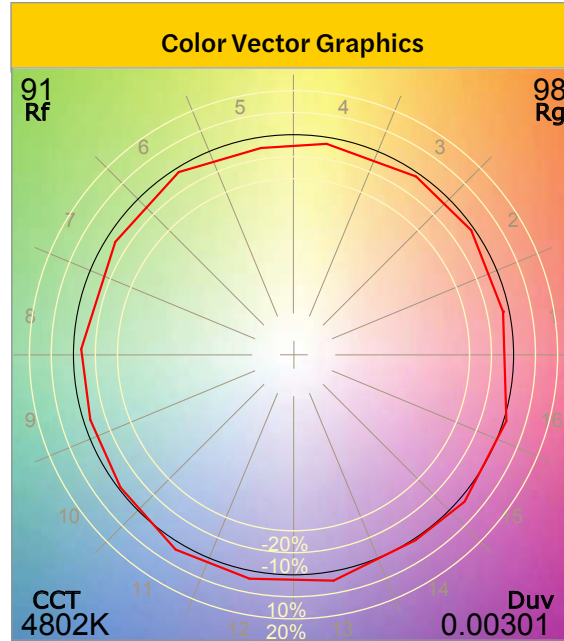
Commercial Slim Downlight Photometrics*

89171-CSDL-4-LS-CS-BT-DDV



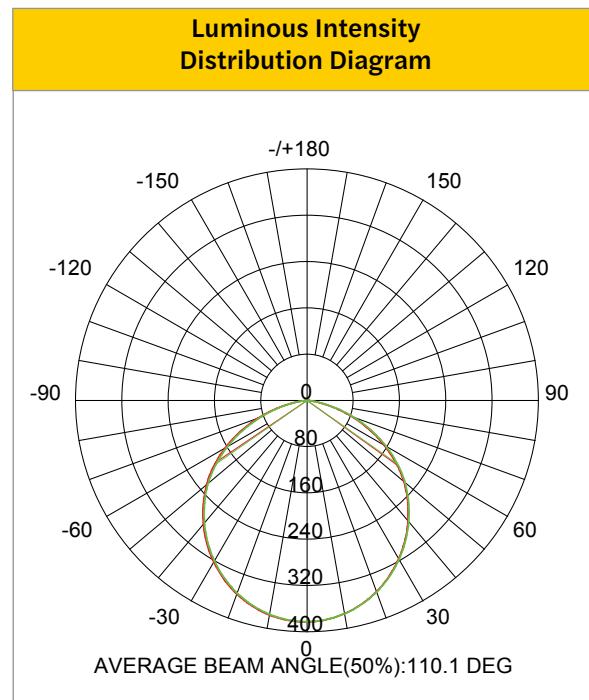
Zonal Lumen Summary

LCS Zone	Lumens	%Fixture
0° - 10°	36	4%
10° - 20°	103	10%
20° - 30°	155	15%
30° - 40°	186	18%
40° - 50°	192	19%
50° - 60°	171	17%
60° - 70°	121	12%
70° - 80°	55	5%
80° - 90°	6	1%
0° - 90°	1026	100%



Color Metrics

RF	91
RG	98

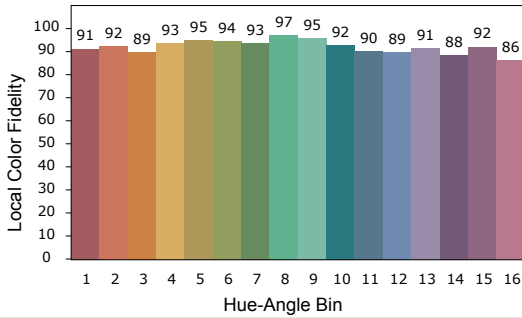


*The Diagrams and zonal lumen summaries represent each fixture at highest wattage selection and at 2700K. For complete photometry/IES files, please contact Halco lighting.

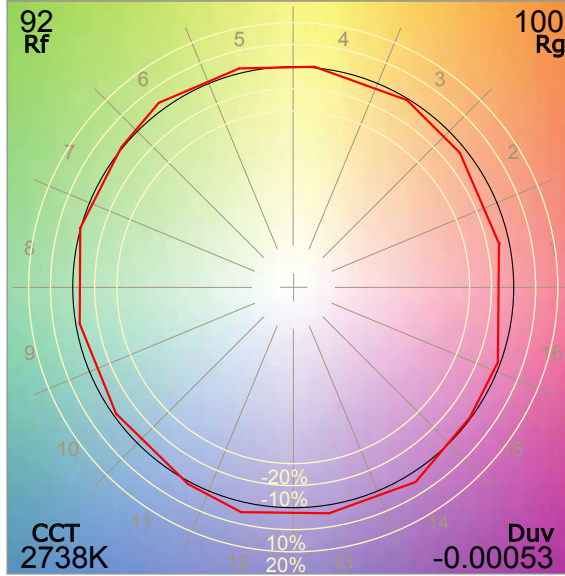
Commercial Slim Downlight Photometrics*

89169-CSDL-6-LS-CS-ST-DDV

Color Rendition by Hue (Change of Chroma)



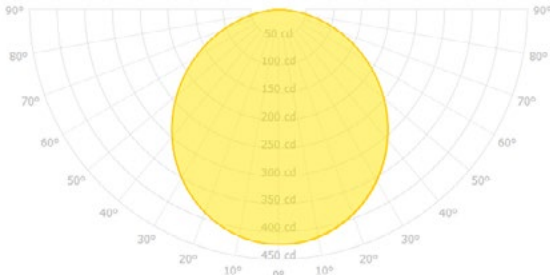
Color Vector Graphics



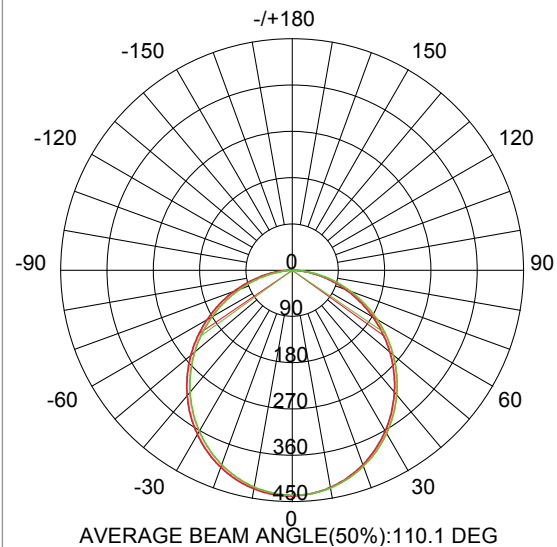
Color Metrics

RF	92
RG	100

CSDL-6-LS-CS-ST-DDV-120-277V Set to 2700K



Luminous Intensity Distribution Diagram



Zonal Lumen Summary

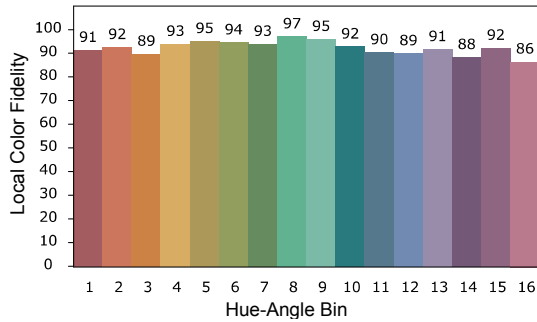
LCS Zone	Lumens	%Fixture
0° - 10°	40	3%
10° - 20°	114	10%
20° - 30°	172	15%
30° - 40°	206	17%
40° - 50°	212	18%
50° - 60°	190	16%
60° - 70°	144	12%
70° - 80°	83	7%
80° - 90°	22	2%
0° - 90°	1182	100%

*The Diagrams and zonal lumen summaries represent each fixture at highest wattage selection and at 2700K. For complete photometry/IES files, please contact Halco lighting.

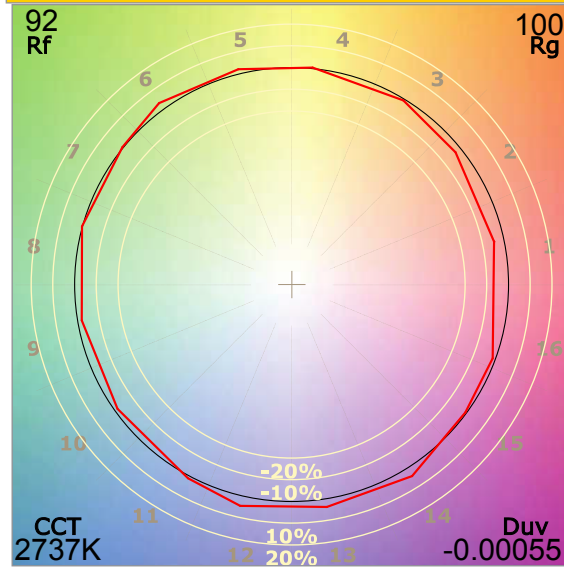
Commercial Slim Downlight Photometrics*

89172-CSDL-6-LS-CS-BT-DDV

Color Rendition by Hue (Change of Chroma)



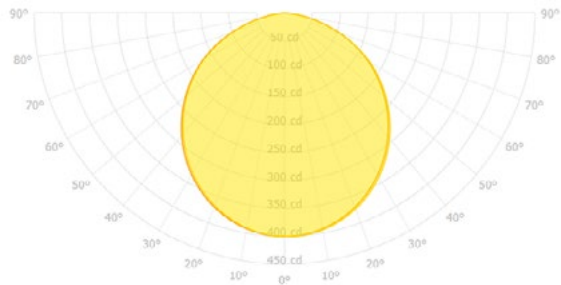
Color Vector Graphics



Color Metrics

RF	92
RG	100

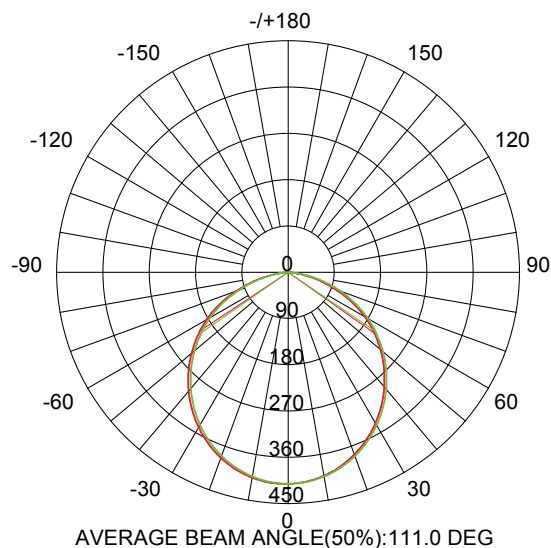
CSDL-6-LS-CS-BT-DDV-120-277V Set to 2700K



Zonal Lumen Summary

LCS Zone	Lumens	%Fixture
0° - 10°	38	3%
10° - 20°	108	10%
20° - 30°	163	15%
30° - 40°	195	18%
40° - 50°	202	18%
50° - 60°	182	16%
60° - 70°	136	12%
70° - 80°	70	6%
80° - 90°	11	1%
0° - 90°	1104	100%

Luminous Intensity Distribution Diagram

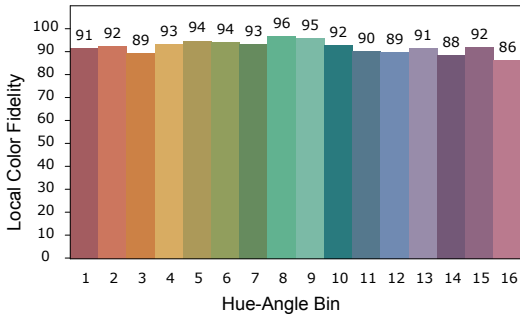


*The Diagrams and zonal lumen summaries represent each fixture at highest wattage selection and at 2700K. For complete photometry/IES files, please contact Halco lighting.

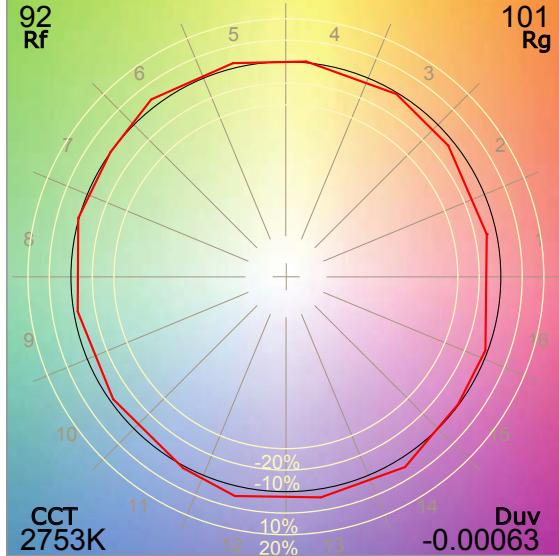
Commercial Slim Downlight Photometrics*

89170-CSDL-8-LS-CS-ST-DDV

Color Rendition by Hue (Change of Chroma)



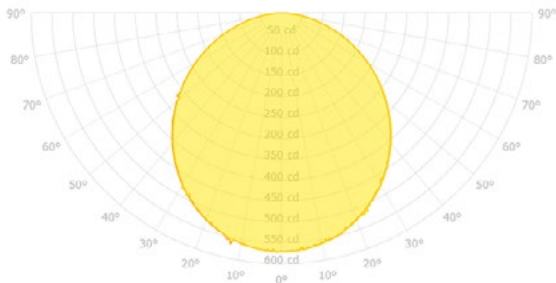
Color Rendition by Hue (Change of Chroma)



Color Metrics

RF	92
RG	101

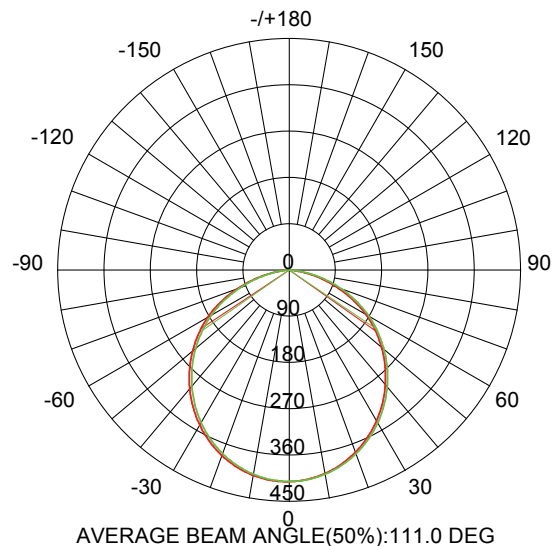
CSDL-8-LS-CS-ST-DDV-120-277V Set to 2700K



Zonal Lumen Summary

LCS Zone	Lumens	%Fixture
0° - 10°	54	3%
10° - 20°	154	10%
20° - 30°	231	15%
30° - 40°	276	17%
40° - 50°	283	18%
50° - 60°	252	16%
60° - 70°	190	12%
70° - 80°	109	7%
80° - 90°	29	2%
0° - 90°	1579	100%

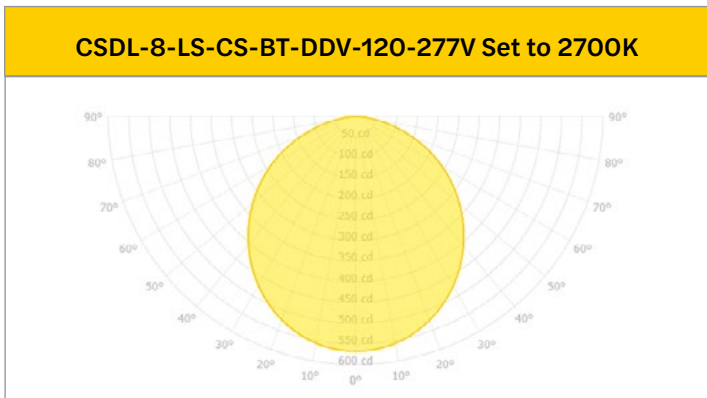
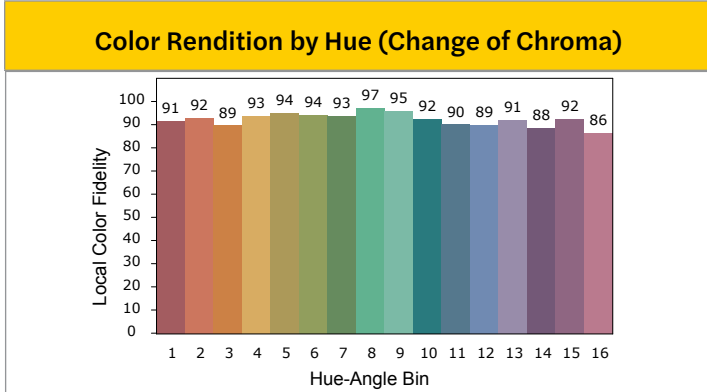
Luminous Intensity Distribution Diagram



*The Diagrams and zonal lumen summaries represent each fixture at highest wattage selection and at 2700K. For complete photometry/IES files, please contact Halco lighting.

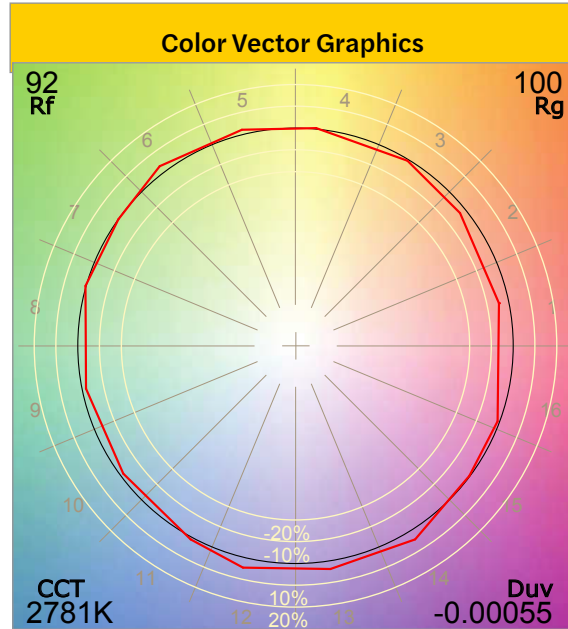
Commercial Slim Downlight Photometrics*

89173-CSDL-8-LS-CS-BT-DDV



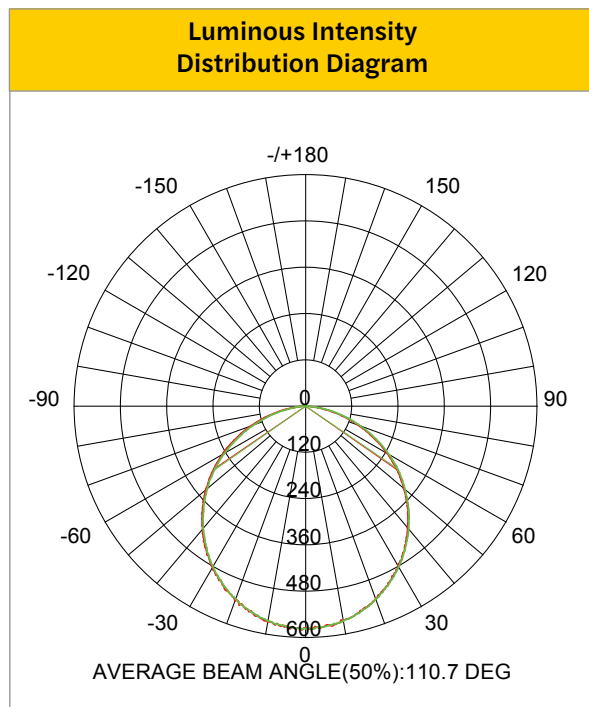
Zonal Lumen Summary

LCS Zone	Lumens	%Fixture
0° - 10°	54	3%
10° - 20°	153	10%
20° - 30°	230	15%
30° - 40°	276	18%
40° - 50°	283	18%
50° - 60°	254	16%
60° - 70°	190	12%
70° - 80°	102	7%
80° - 90°	19	1%
0° - 90°	1562	100%



Color Metrics

RF	92
RG	100



*The Diagrams and zonal lumen summaries represent each fixture at highest wattage selection and at 2700K. For complete photometry/IES files, please contact Halco lighting.