

## LED Luminaires

### Fire Rated Slim Downlight

- Fire Resistant
- Select from Five Color Temperatures
- IC, Air Tight and Wet Location Rated
- Triac Dimmable



### Specifications

#### Description

The Fire Rated Slim Downlight family is designed to provide a cost effective solution for use in fire rated ceiling systems. The low profile fixture design provides smooth or baffled trim options, easy installation with a spring clip mounting and is rated to withstand heat and fire of up to 1100°C for 2 hours. It is the clean, modern way to light residential, multi-family and healthcare facilities requiring fire protection.

#### Performance

- Field Selectable CCT (2700K, 3000K, 3500K, 4000K, 5000K)
- 90 CRI
- 120V, 50/70 Hz Triac Dimming Driver to 10%
- L70 Lumen Maintenance > 60,000 Hours
- Up to 109 lumens per Watt
- 5 Year Limited Warranty

#### Construction

- Powder Coated steel housing
- Canless design with spring retention clips and remote mounted driver box
- Edge Lit LED design with frosted polycarbonate diffuser
- Field selectable CCT switch

#### Certifications

- cULus Rated for Wet Locations
- 2 Hour Fire Rating per UL263/ASTM E119/CAN ULC-S101-07
- IC Rated for direct contact with insulation
- Air Tight Certified per ASTM E283-2004
- Energy Star Rated
- TAA Compliant
- Complies with California T24 standards
- RoHS compliant
- FCC Part 15 compliant

## Fire Rated Slim Downlight

### Ordering Logic:

Series	Product Size	CRI/CCT	Trim	Voltage/Dimming
FRSDL = Fire Rated Slim Downlight	3 = 3" 4 = 4" 6 = 6" 8 = 8"	CS = 90 CRI, Selectable 2700K, 3000K, 3500K, 4000K, 5000K	ST = SMOOTH TRIM BT = BAFFLE TRIM	120V = 120V, Triac Dimming

### Ordering Information

Product SKU	Product Code	Product Description
89200	FRSDL-3-CS-ST-120V	Fire Rated 3in Slim Downlight Color Selectable 6.5W 500 Lumen Smooth Trim 120V Triac Dimmable T2
89201	FRSDL-3-CS-BT-120V	Fire Rated 3in Slim Downlight Color Selectable 6.5W 500 Lumen Baffle Trim 120V Triac Dimmable T24
89202	FRSDL-4-CS-ST-120V	Fire Rated 4in Slim Downlight Color Selectable 11W 900 Lumen Smooth Trim 120V Triac Dimmable T24
89203	FRSDL-4-CS-BT-120V	Fire Rated 4in Slim Downlight Color Selectable 11W 900 Lumen Baffle Trim 120V Triac Dimmable T24
89204	FRSDL-6-CS-ST-120V	Fire Rated 6in Slim Downlight Color Selectable 15W 1250 Lumen Smooth Trim 120V Triac Dimmable T24
89205	FRSDL-6-CS-BT-120V	Fire Rated 6in Slim Downlight Color Selectable 15W 1250 Lumen Baffle Trim 120V Triac Dimmable T24
89206	FRSDL-8-CS-ST-120V	Fire Rated 8in Slim Downlight Color Selectable 19W 1600 Lumen Smooth Trim 120V Triac Dimmable T24
89207	FRSDL-8-CS-BT-120V	Fire Rated 8in Slim Downlight Color Selectable 19W 1600 Lumen Baffle Trim 120V Triac Dimmable T24
Accessories		
89166	FSDLS/RP3RD	ProLED Select Direct Fit Slim Downlight Rough In Pan 3"
89104	FSDLS/RP4RD	ProLED Select Direct Fit Slim Downlight Rough In Pan 4"
89105	FSDLS/RP6RD	ProLED Select Direct Fit Slim Downlight Rough In Pan 6"
89129	DFDLS-RP-468-RD	ProLED Select Direct Fit Slim Downlight Adjustable Rough In Pan 4", 6", 8"
89142	ACC-NCP-ABH-4R	4" Round New Construction Pan w/Adjustable Bar Hangers
89143	ACC-NCP-ABH-6R	6" Round New Construction Pan w/Adjustable Bar Hangers

## Fire Rated Slim Downlight Performance Table

Product Code	Wattage	2700K		3000K		3500K		4000K		5000K	
		Lumen (lm)	Efficacy (lm/W)	Lumen (lm)	Efficacy (lm/W)	Lumen (lm)	Efficacy (lm/W)	Lumen (lm)	Efficacy (lm/W)	Lumen (lm)	Efficacy (lm/W)
FRSDL-3-CS-ST-120V	6.5	513	79	530	83	544	86	543	86	528	82
FRSDL-3-CS-BT-120V	6.5	512	80	529	83	542	86	541	86	526	83
FRSDL-4-CS-ST-120V	11	920	86	958	90	993	94	990	94	930	87
FRSDL-4-CS-BT-120V	11	920	85	958	90	992	94	991	93	931	86
FRSDL-6-CS-ST-120V	15	1272	88	1315	92	1366	96	1380	97	1328	92
FRSDL-6-CS-BT-120V	15	1274	90	1314	92	1360	97	1368	98	1308	91
FRSDL-8-CS-ST-120V	19	1609	88	1666	93	1743	98	1741	98	1651	91
FRSDL-8-CS-BT-120V	19	1686	94	1739	98	1809	103	1803	103	1703	96

## Specifications Table

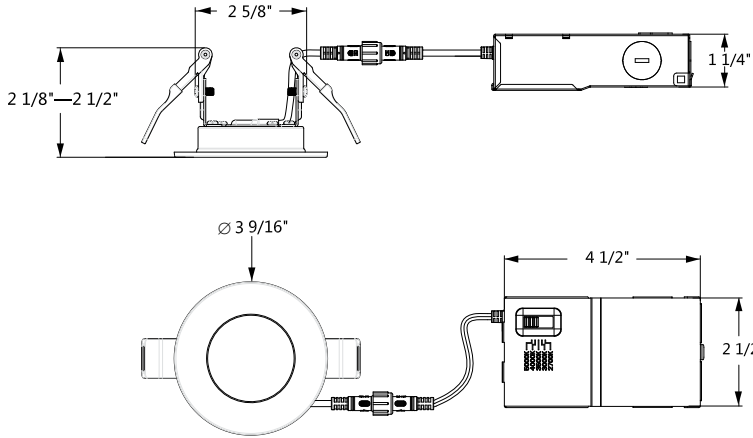
	FRSDL-3-CS-xx-120V	FRSDL-4-CS-xx-120V	FRSDL-6-CS-xx-120V	FRSDL-8-CS-xx-120V
Nominal Wattage	6.5W	11W	15W	19W
Delivered Lumens	500	900	1250	1600
Efficacy (lm/W)	80	85	88	88
CCT	Selectable - 2700K, 3000K, 3500K, 4000K, 5000K			
CRI	90+			
Voltage	110°			
L70 Lifetime (hrs)	60,000			
Voltage	120V, 50/60Hz			
Power Factor	>0.9			
Dimming	Triac Dimming			
Housing Material	Steel			
Lens	Polycarbonate			
Operating Temperature	-20°C to 40°C			
Listings	cULus,FCC, RoHS, Wet Location , IC Rated, Air Tight, Fire Rated, TAA, CA T24-JA8, Energy Star®			
Environment	Wet Location, IC Rated, Air Tight, Fire Rated			
Warranty	5 Years Standard			

## Dimmer Compatibility List

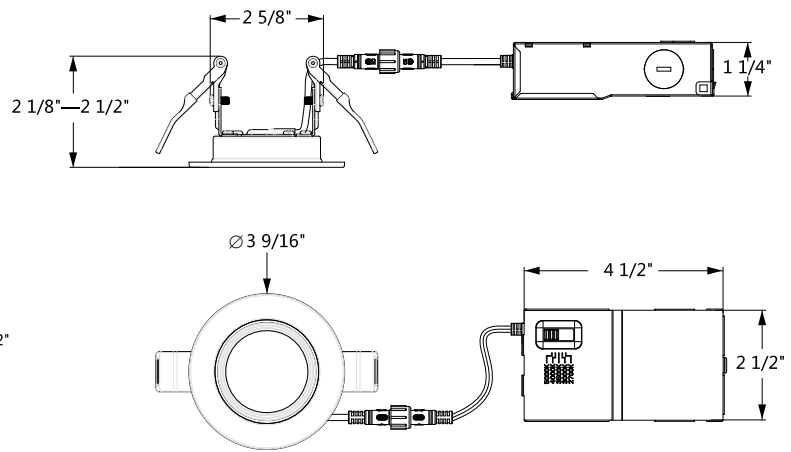
Dimmer Brand	Series	Dimmer Model
LUTRON	Maestro C-L	MACL-153M
LUTRON	Skylark C-L	SCL-153P
LEVITON	Sureslide	6674
LUTRON	Diva C-L	DVCL-153P
LEGRAND	Radiant	RHCL453PTC
LEGRAND	Harmony	DCL453PTCCCV6
LEGRAND	Harmony	HCL453PTCCCV6
LUTRON	Skylark	CTCL-153PDH-WH
LEVITON	Illumena T ech	R50-IPL06-10M
LUTRON	Diva C-L	DVWCL-153PH-WH

## Fire Rated Slim Downlight Dimensions

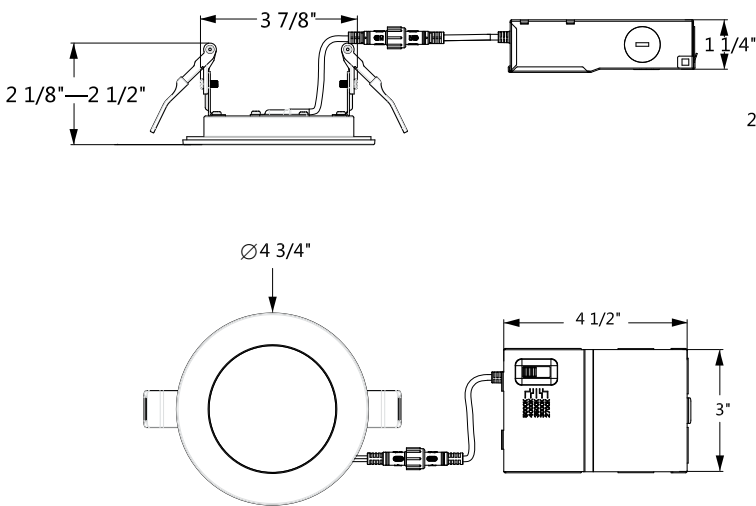
FRSDL-3-CS-ST-120V



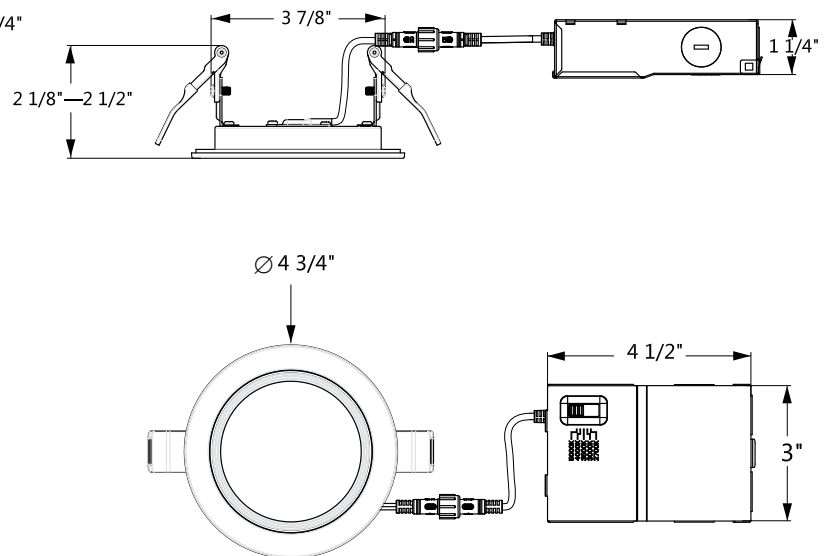
FRSDL-3-CS-BT-120V



FRSDL-4-CS-ST-120V

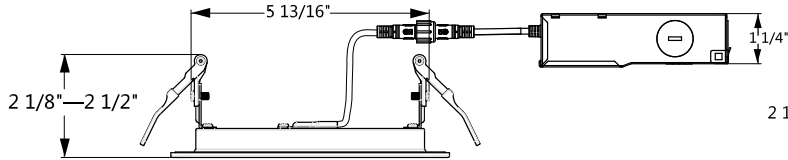


FRSDL-4-CS-BT-120V

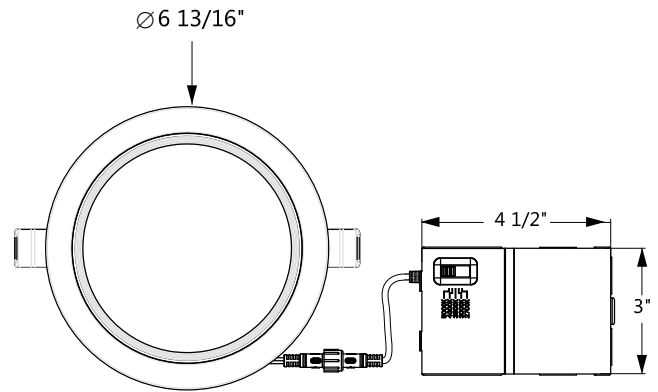
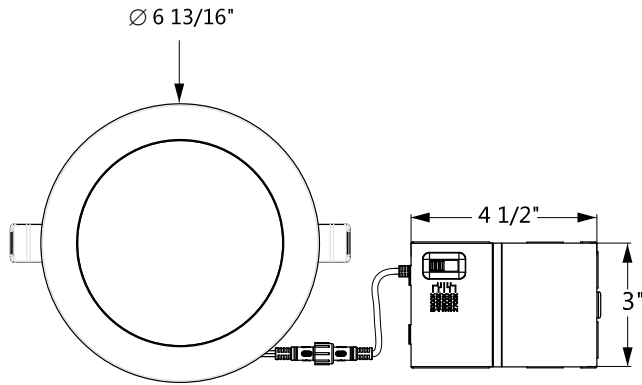
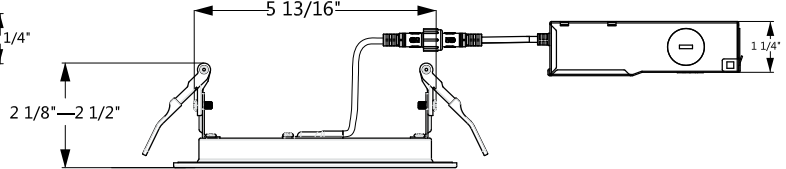


## Fire Rated Slim Downlight Dimensions

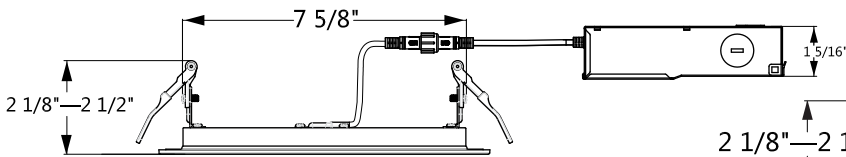
FRSDL-6-CS-ST-120V



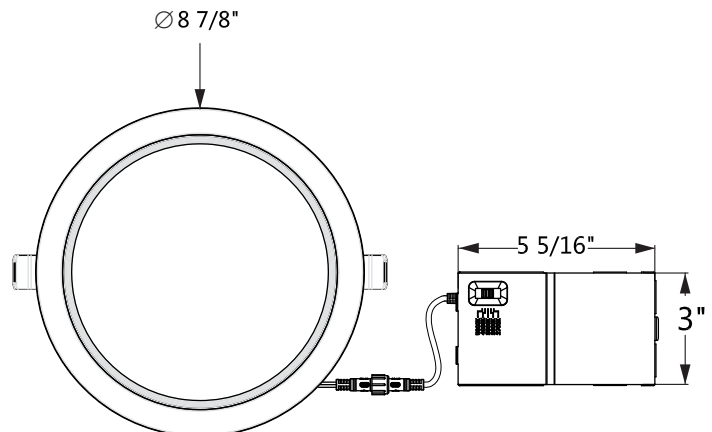
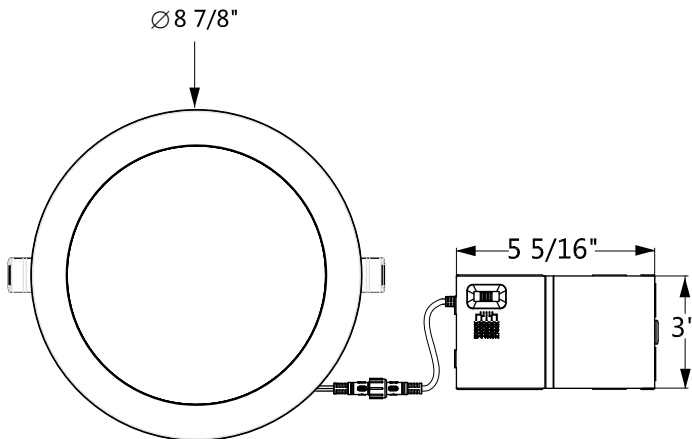
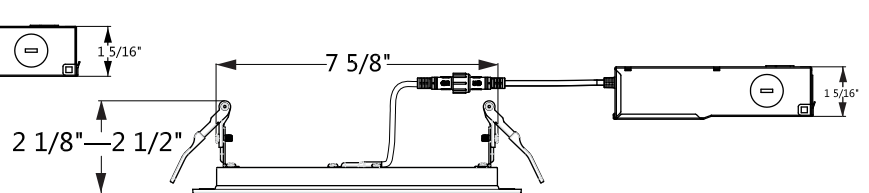
FRSDL-6-CS-BT-120V



FRSDL-8-CS-ST-120V



FRSDL-8-CS-BT-120V

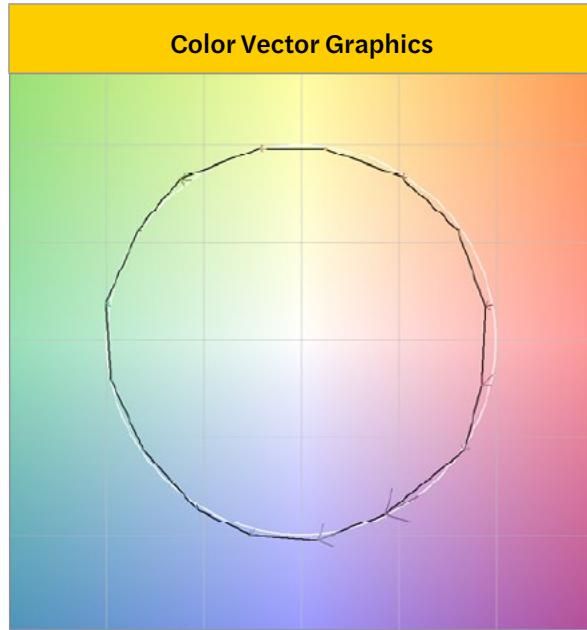
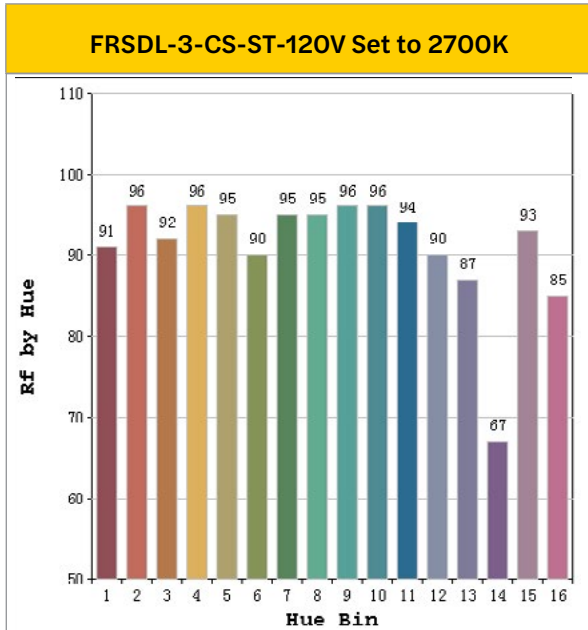


LED Luminaires

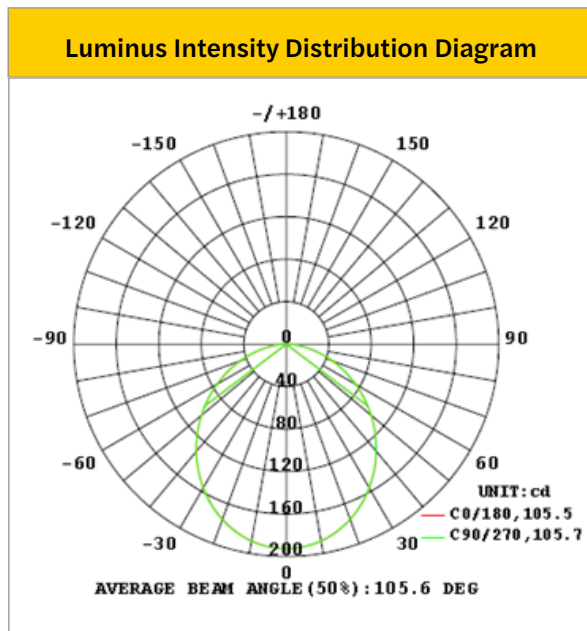
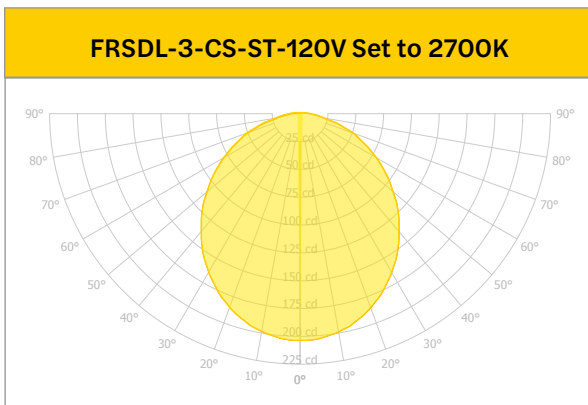
## Fire Rated Slim Downlight

### Photometric Information

89200 FRSDL-3-CS-ST-120V



Information	
RF	92
RG	101

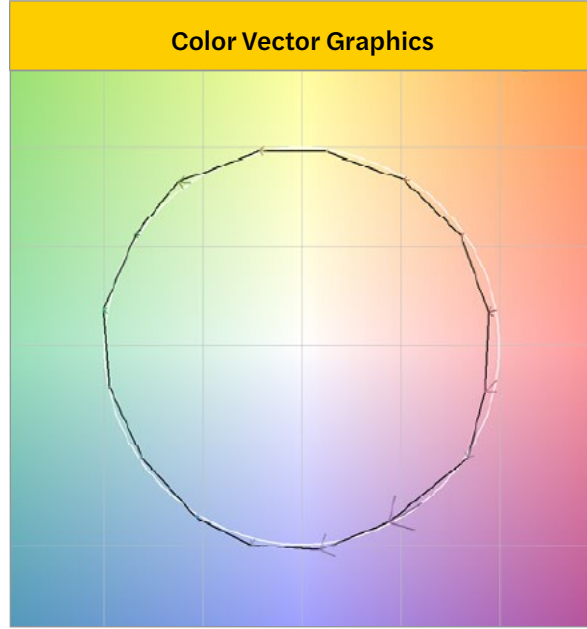
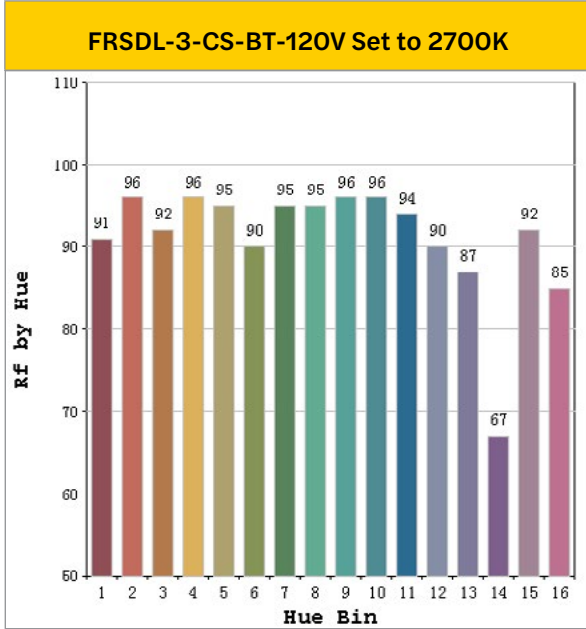


#### Zonal Lumen Summary

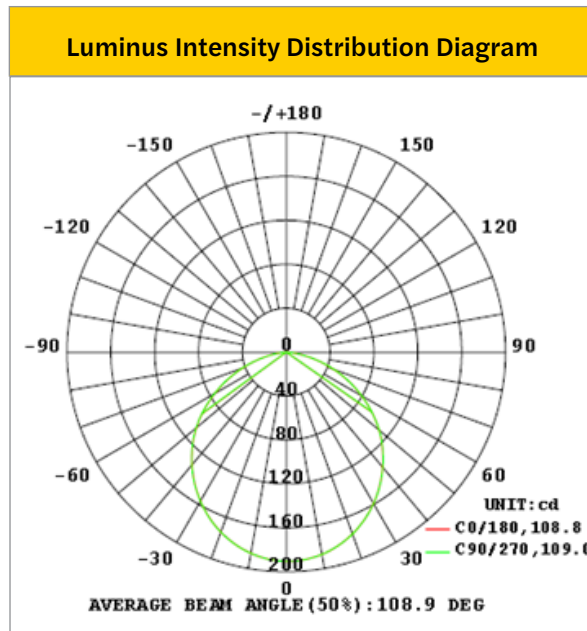
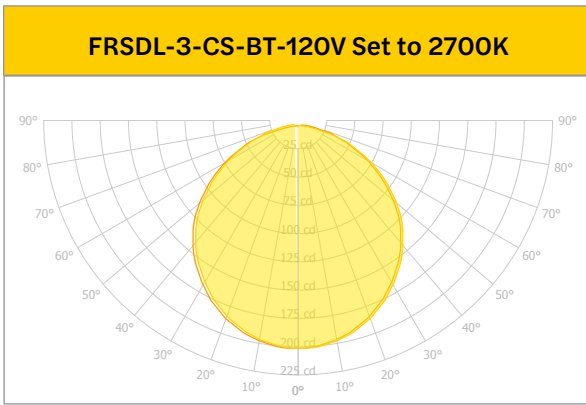
Zone	Lumens	% Luminaire
0-30	146.6	28.6%
0-60	408.7	79.8%
0-90	512.3	100.0%

## Fire Rated Slim Downlight Photometric Information

89201 FRSDL-3-CS-BT-120V



Information	
RF	92
RG	101



### Zonal Lumen Summary

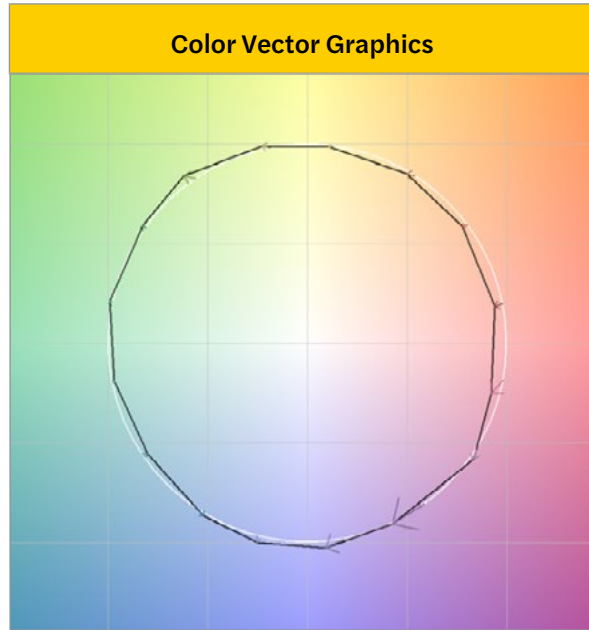
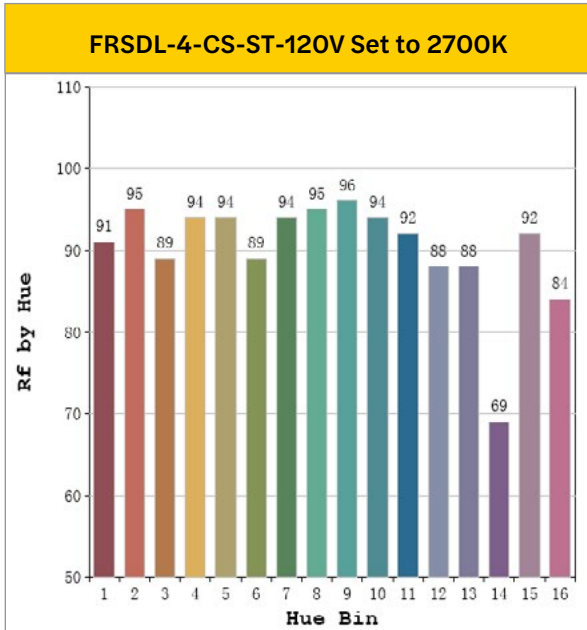
Zone	Lumens	% Luminaire
0-30	146.6	28.6%
0-60	408.7	79.8%
0-90	512.3	100.0%

LED Luminaires

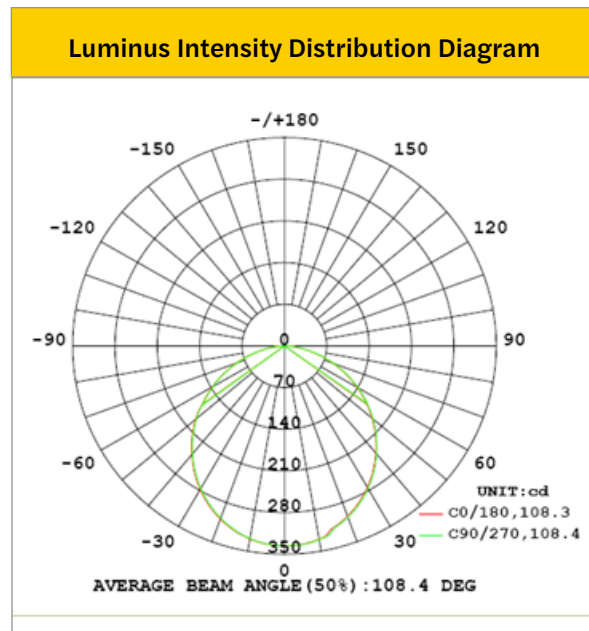
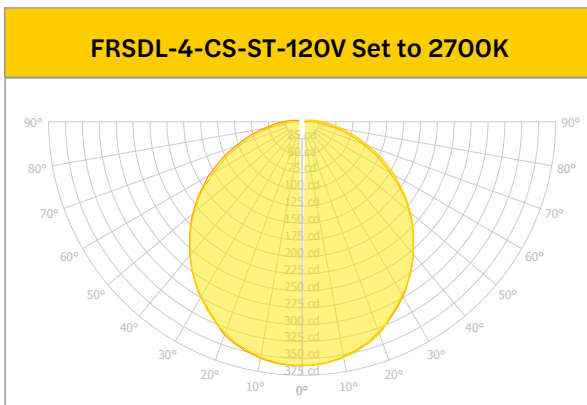
## Fire Rated Slim Downlight

### Photometric Information

89202 FRSDL-4-CS-ST-120V



Information	
RF	91
RG	101



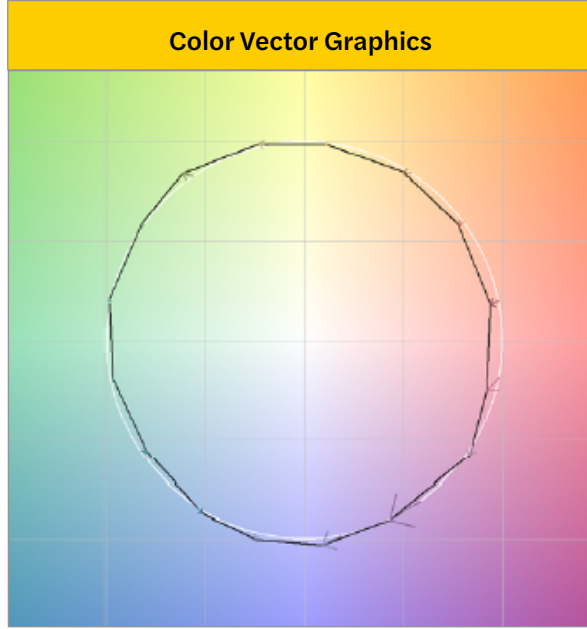
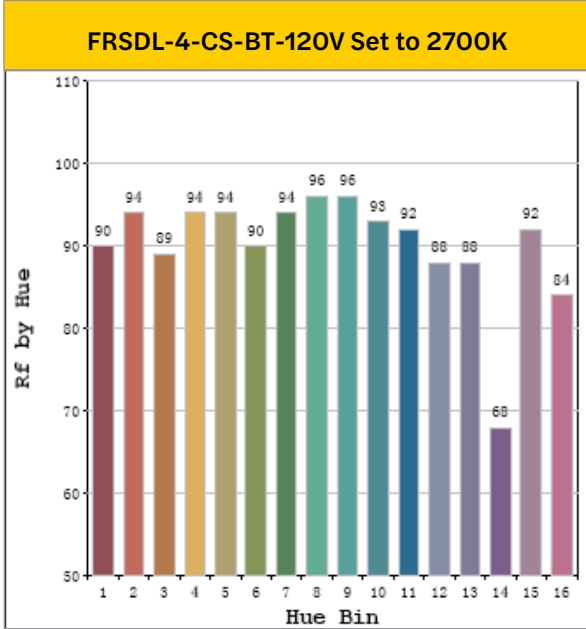
#### Zonal Lumen Summary

Zone	Lumens	% Luminaire
0-30	256.8	27.9%
60-90	188.9	20.6%
0-90	919.0	100.0%

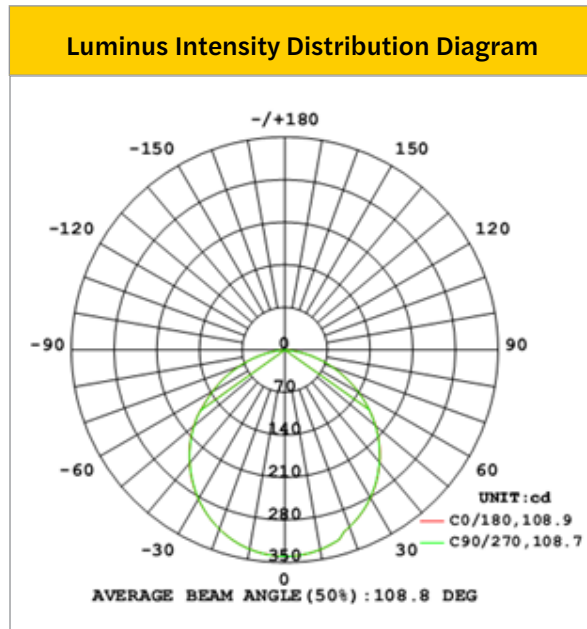
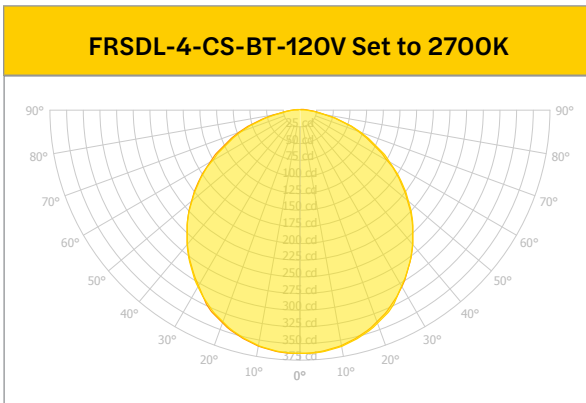


## Fire Rated Slim Downlight Photometric Information

89203 FRSDL-4-CS-BT-120V



Information	
RF	91
RG	100



**Zonal Lumen Summary**

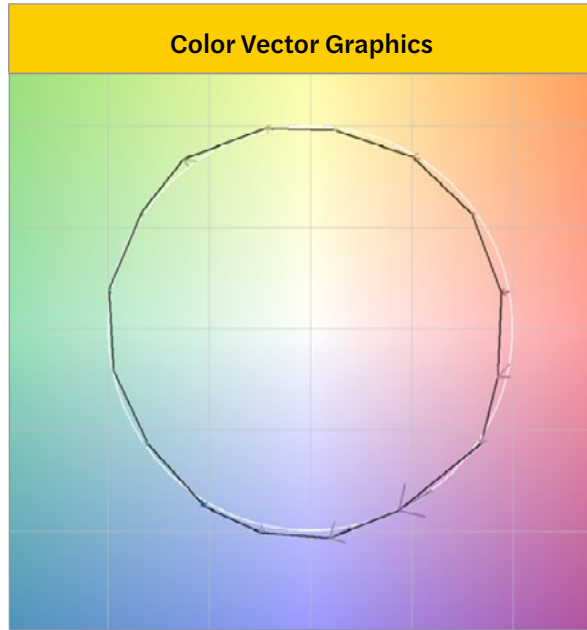
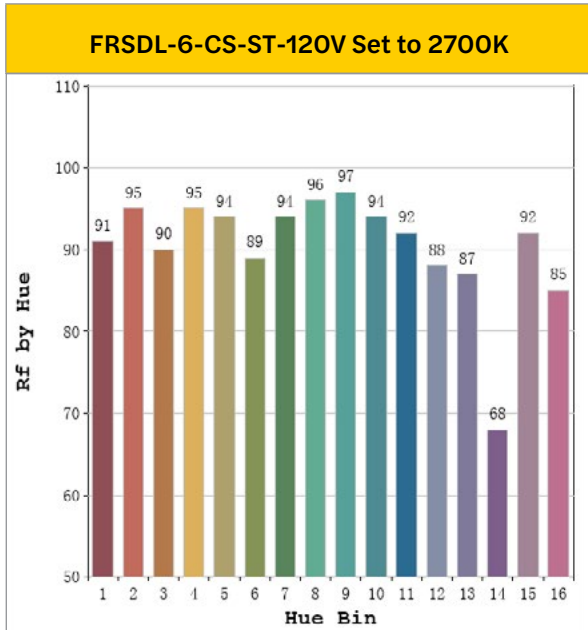
Zone	Lumens	% Luminaire
0-30	256.8	27.9%
60-90	188.9	20.6%
0-90	919.0	100.0%

LED Luminaires

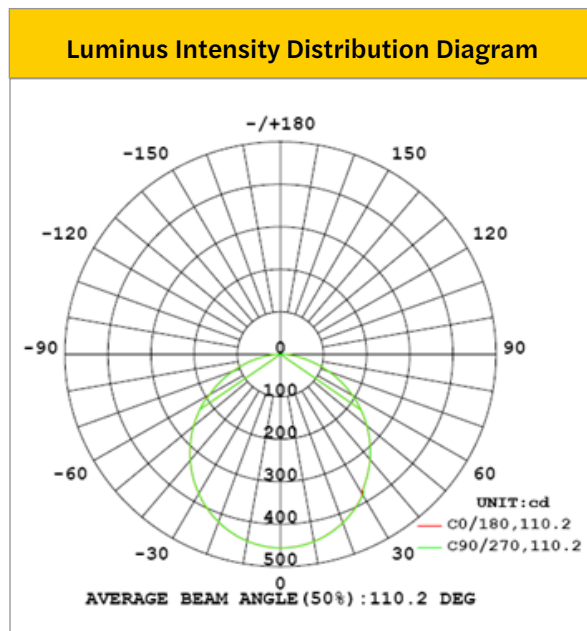
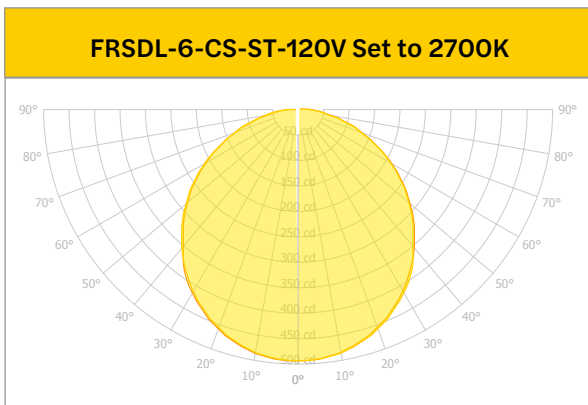
## Fire Rated Slim Downlight

### Photometric Information

89204 FRSDL-6-CS-ST-120V



Information	
RF	93
RG	103



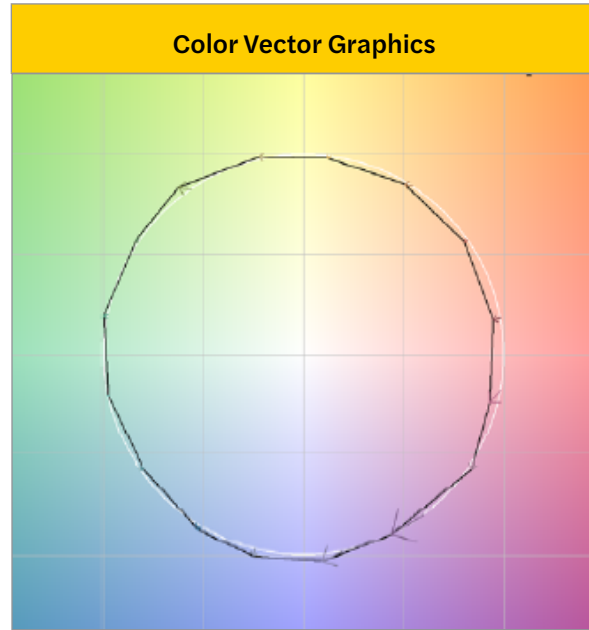
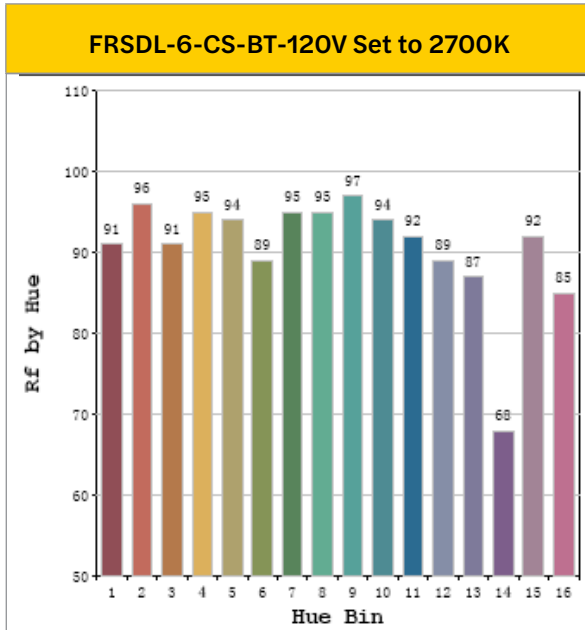
#### Zonal Lumen Summary

Zone	Lumens	% Luminaire
0-30	351.5	27.7%
0-60	1003.1	79.0%
0-90	1270.3	100.0%

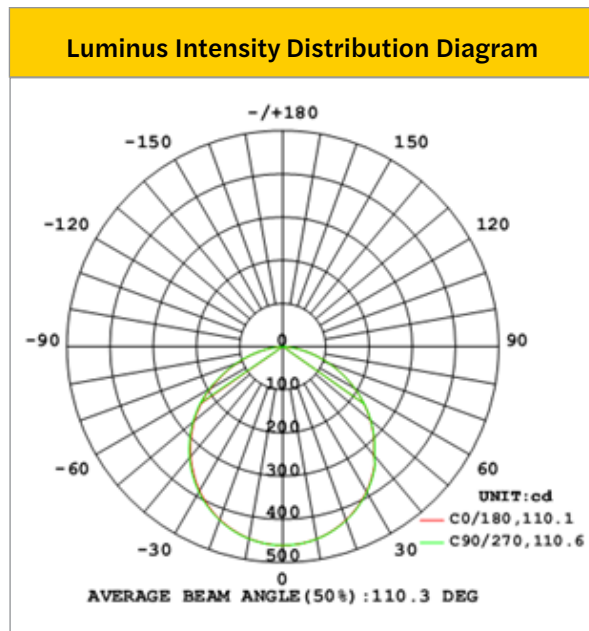
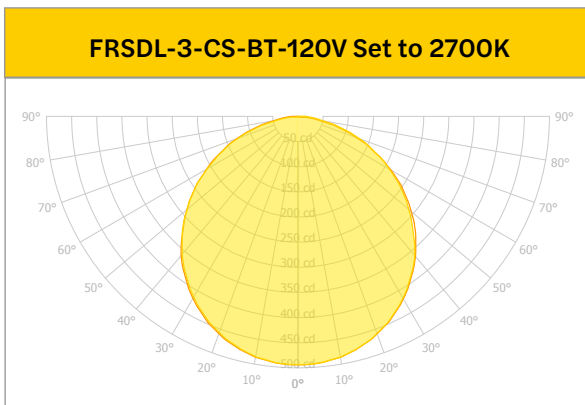
## Fire Rated Slim Downlight

### Photometric Information

89205 FRSDL-6-CS-BT-120V



Information	
RF	92
RG	101



#### Zonal Lumen Summary

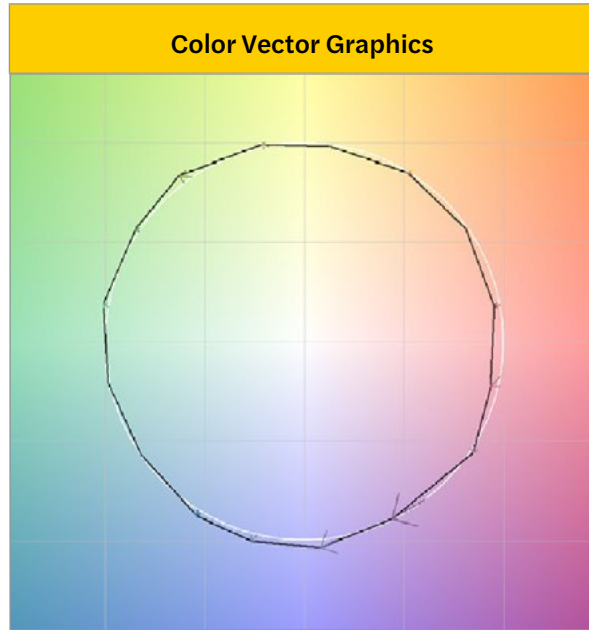
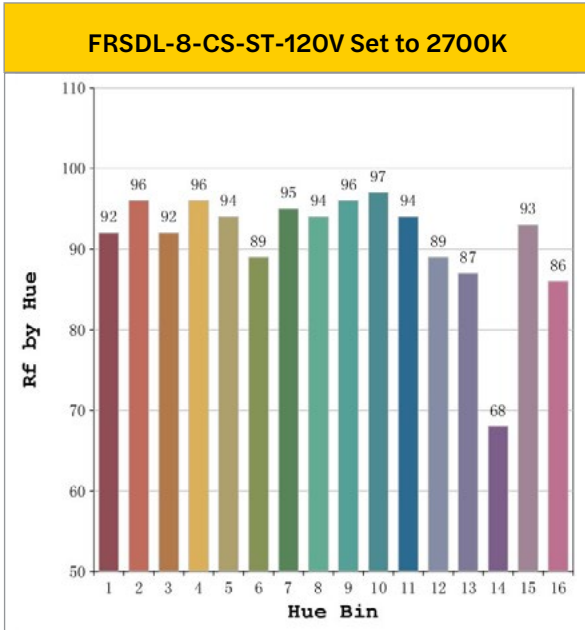
Zone	Lumens	% Luminaire
0-30	351.5	27.7%
0-60	1003.1	79.0%
0-90	1270.3	100.0%

LED Luminaires

## Fire Rated Slim Downlight

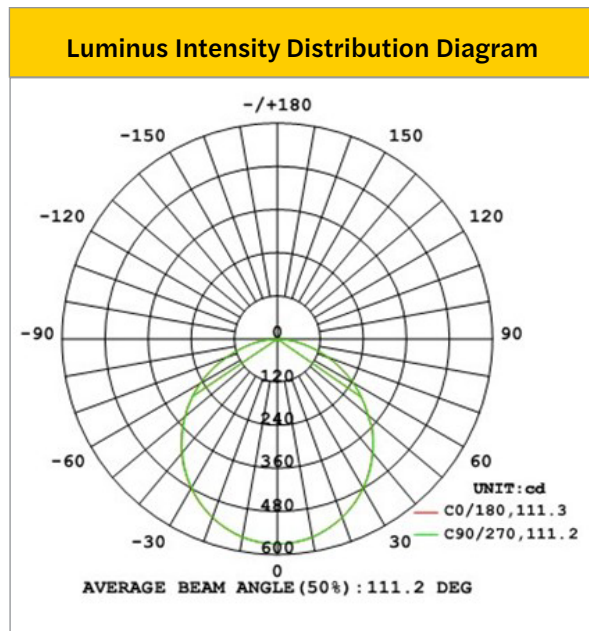
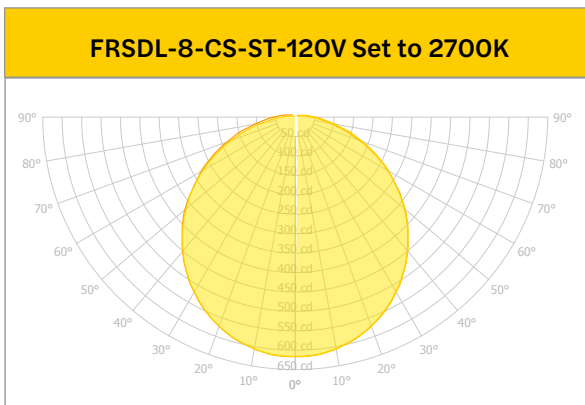
### Photometric Information

89206 FRSDL-8-CS-ST-120V



#### Information

RF	92
RG	102



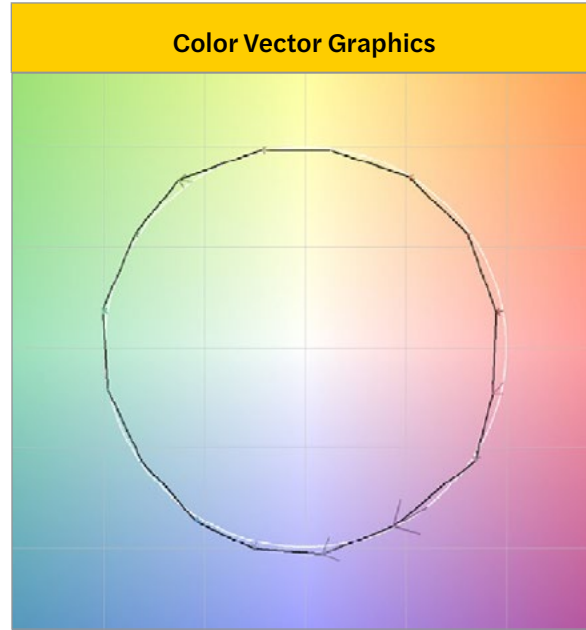
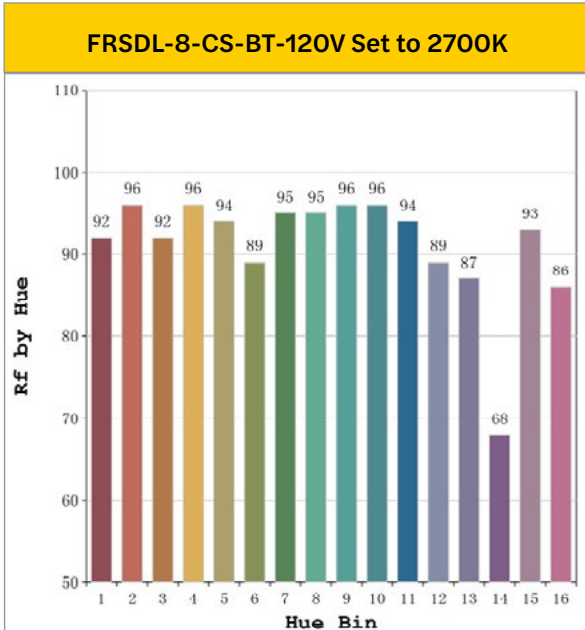
#### Zonal Lumen Summary

Zone	Lumens	% Luminaire
0-30	441.1	27.5%
0-60	1270.6	79.1%
0-90	1606.7	100.0%

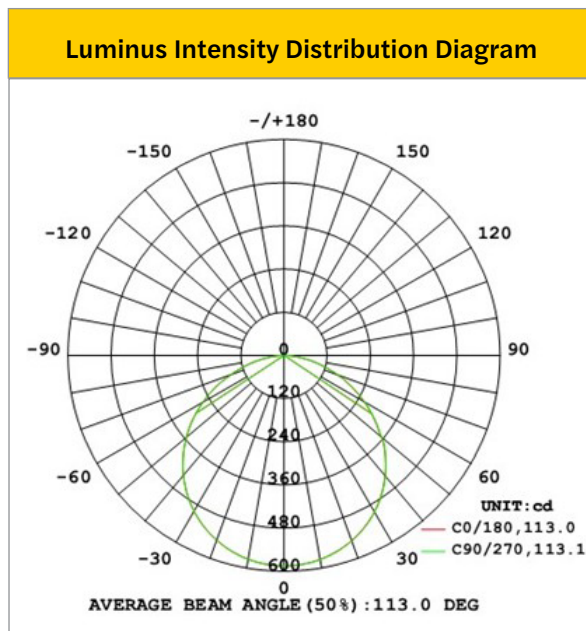
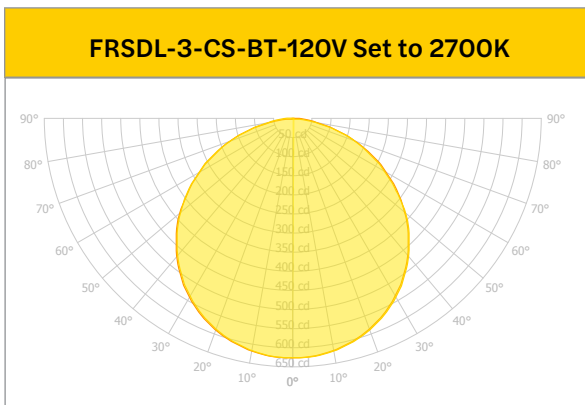
LED Luminaires

## Fire Rated Slim Downlight Photometric Information

89207 FRSDL-8-CS-BT-120V



Information	
RF	92
RG	102



### Zonal Lumen Summary

Zone	Lumens	% Luminaire
0-30	441.1	27.5%
0-60	1270.6	79.1%
0-90	1606.7	100.0%