



4" & 6" COLOR SELECTABLE FIRE RATED LED DOWNLIGHT

WARNING, CAUTION, SAFETY AND INSTALLATION INSTRUCTIONS

WARNING

- Installation, service, and maintenance of luminaries should be performed by a qualified licensed electrician.
- Read all instructions in order to ensure a safe and proper installation.

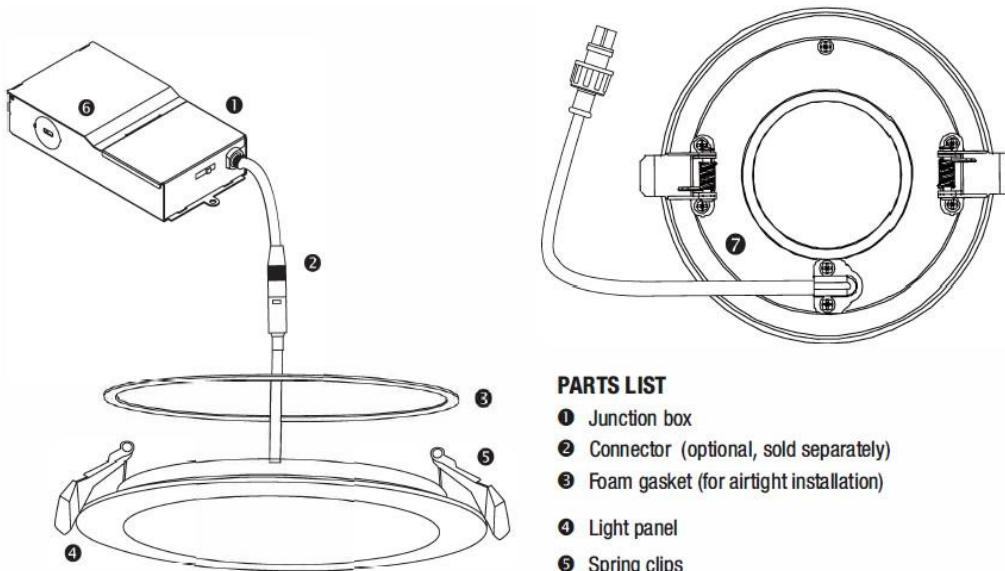
CAUTION

- Do not modify this fixture. Any modifications may render the product unsafe and void the warranty.

NOTICE

- This downlight has been tested to comply with UL 263.
- This downlight has been tested and approved for 2-Hour Fire Rating.
- Suitable for wet locations.

Parts List



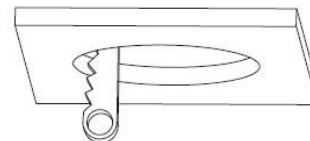
PARTS LIST

- ❶ Junction box
- ❷ Connector (optional, sold separately)
- ❸ Foam gasket (for airtight installation)
- ❹ Light panel
- ❺ Spring clips
- ❻ Correlated color temperature (CCT) selector switch
- ❼ Fire-block steel back plate

Installation Instructions

1. Turn power OFF from the electrical panel prior to installation.
2. Determine the location for installation and cut a ceiling hole in accordance with the cut-hole dimensions. Refer to the Hold Cut Diameter table for appropriate sizes. (Fig. 1)

Fig. 1

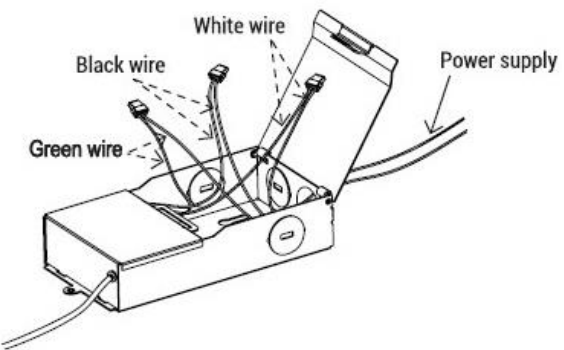
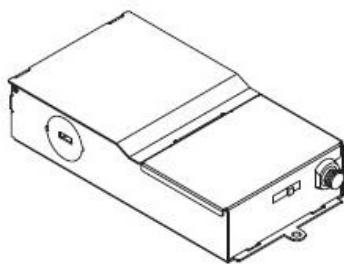
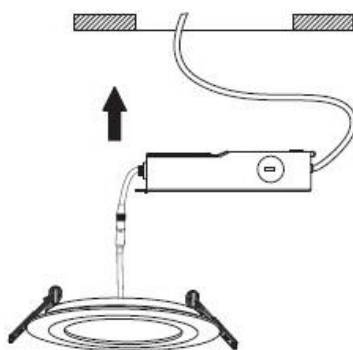
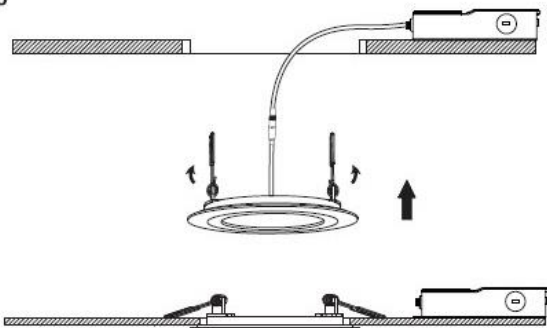


Cutting hole diameter Diamètre de perforation	
4" Round	4 ¼" (108 mm)
6" Round	6 ¼" (158 mm)



4" & 6" COLOR SELECTABLE FIRE RATED LED DOWNLIGHT

WARNING, CAUTION, SAFETY AND INSTALLATION INSTRUCTIONS

<ol style="list-style-type: none">3. Open the junction box cover and remove the appropriate knockout(s) on the side panel. (Fig. 2)4. Insert the electrical supply cable through the knockout and secure it with an optional cable connector (sold separately).5. Using the quick-connect push-in terminals, connect the green ground wire to the green wire terminal; black wire to black wire terminal; white wire to white wire terminal. (Fig. 2)	<p>Fig. 2</p> 
<ol style="list-style-type: none">6. Place all wiring and connections back in the box and close the cover. Connect the driver to the light panel.7. Choose your desired Kelvin color temperature (2700K, 3000K, 3500K, 4000K, 5000K) and slide the switch to the appropriate position (Fig. 4) before moving on to Step 8.	<p>Fig. 4</p> 
<ol style="list-style-type: none">8. Insert the junction box through the mounting hole. (Fig. 3)	<p>Fig. 3</p> 
<ol style="list-style-type: none">9. Push the spring-loaded clips on the fixture upwards and insert the fixture base into the mounting hole. Release the clips and the fixture will be pulled flush to the ceiling. (Fig. 5) <p>The spring-loaded clips are designed for a use in a double-layered 5/8" gypsum ceiling.</p> <ol style="list-style-type: none">10. For airtight requirement, ensure the foam gasket remains between the fixture and ceiling. Do not remove it.	<p>Fig. 5</p> 



4" & 6" COLOR SELECTABLE FIRE RATED LED DOWNLIGHT WARNING, CAUTION, SAFETY AND INSTALLATION INSTRUCTIONS

⚠ WARNING

- Before installing, servicing, or performing routine maintenance upon this equipment, follow these general precautions.
- To reduce the risk of death, personal injury, or property damage from fire, electric shock, falling parts, cuts/abrasions, and other hazards, read all warnings and instructions included with and on the fixture box and all fixture labels.
- Proper grounding is required to ensure safety.
- Power must be turned off at the breaker before installation or maintenance.
- This product must be installed in accordance with the applicable installation code by a person familiar with the construction and operation of the product and the hazards involved.
- Wear gloves and eye protection at all times while installing, servicing, or performing maintenance on the luminaire, and avoid direct eye exposure to the light source while it is on.
- To prevent wiring damage or abrasion, do not expose wiring to edges of sheet metal or other sharp objects.
- Do not install damaged product. Inspect luminaire for damage that may have occurred during transit. If damaged, contact the manufacturer immediately.
- These instructions do not purport to cover all details or variations in equipment nor to provide every possible contingency to meet in connection with installation, operation, or maintenance. Should further information be desired or should particular problems arise which are not covered sufficiently for the purchaser's or owner's purposes, contact the manufacturer.

⚠ ADVERTENCIA

- Antes de instalar, reparar o realizar el mantenimiento de rutina de este equipo, siga estas precauciones generales.
- Para reducir el riesgo de muerte, lesiones personales o daños a la propiedad por fuego, descarga eléctrica, caída de piezas, cortes / abrasiones y otros peligros, lea todas las advertencias y instrucciones incluidas con y en la caja del dispositivo y todas las etiquetas del dispositivo.
- Se requiere una conexión a tierra adecuada para garantizar la seguridad.
- Se debe apagar la energía en el disyuntor antes de la instalación o el mantenimiento.
- Este producto debe ser instalado de acuerdo con el código de instalación aplicable por una persona familiarizada con la construcción y operación del producto y los peligros involucrados.
- Utilice guantes y protección para los ojos en todo momento durante la instalación, el servicio o el mantenimiento de la luminaria, y evite la exposición directa de los ojos a la fuente de luz mientras está encendida.
- Para evitar daños o abrasiones en el cableado, no exponga el cableado a bordes de láminas de metal u otros objetos afilados.
- No instale un producto dañado. Inspeccione la luminaria en busca de daños que puedan haber ocurrido durante el tránsito. Si está dañado, comuníquese con el fabricante de inmediato.
- Estas instrucciones no pretenden cubrir todos los detalles o variaciones en el equipo ni proporcionar todas las posibles contingencias a cumplir en relación con la instalación, operación o mantenimiento. Si desea obtener más información o si surgen problemas particulares que no están suficientemente cubiertos para los propósitos del comprador o propietario, comuníquese con el fabricante.