

LCDL I New Construction Plate

LCDL-SE/NCP

For commercial downlight installation in new construction environments. Constructed of galvanized iron. Compatible with 4-different diameters; up to 10" downlight, for both new construction joist and T-grid applications.

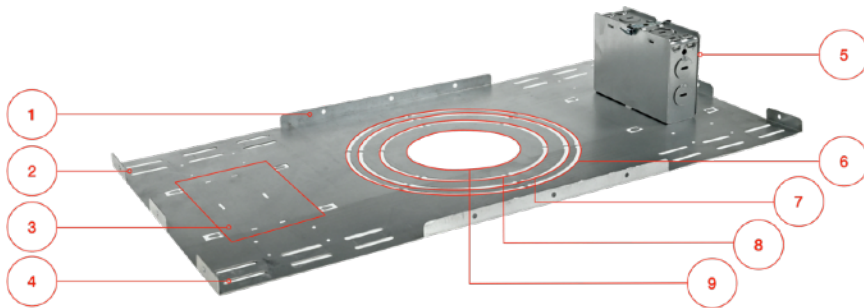
Project Details

Project Name:

Fixture Schedule:

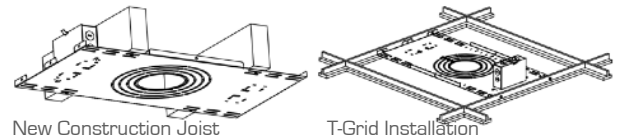
Project Number:

Notes:



Features

1. T-Grid Installation Hole
2. Scale Marker
3. Fixed Remote J-Box
4. Ceiling Joist Installation Hole
5. Soft Conduit J-Box **LCDL-SE/JCB**
6. 10" Mount **Ø10 1/16"**
7. 8" Mount **Ø8 7/64"**
8. 6" Mount **Ø6 1/2"**
9. 4" Mount **Ø4 21/64"**



Dimension

