



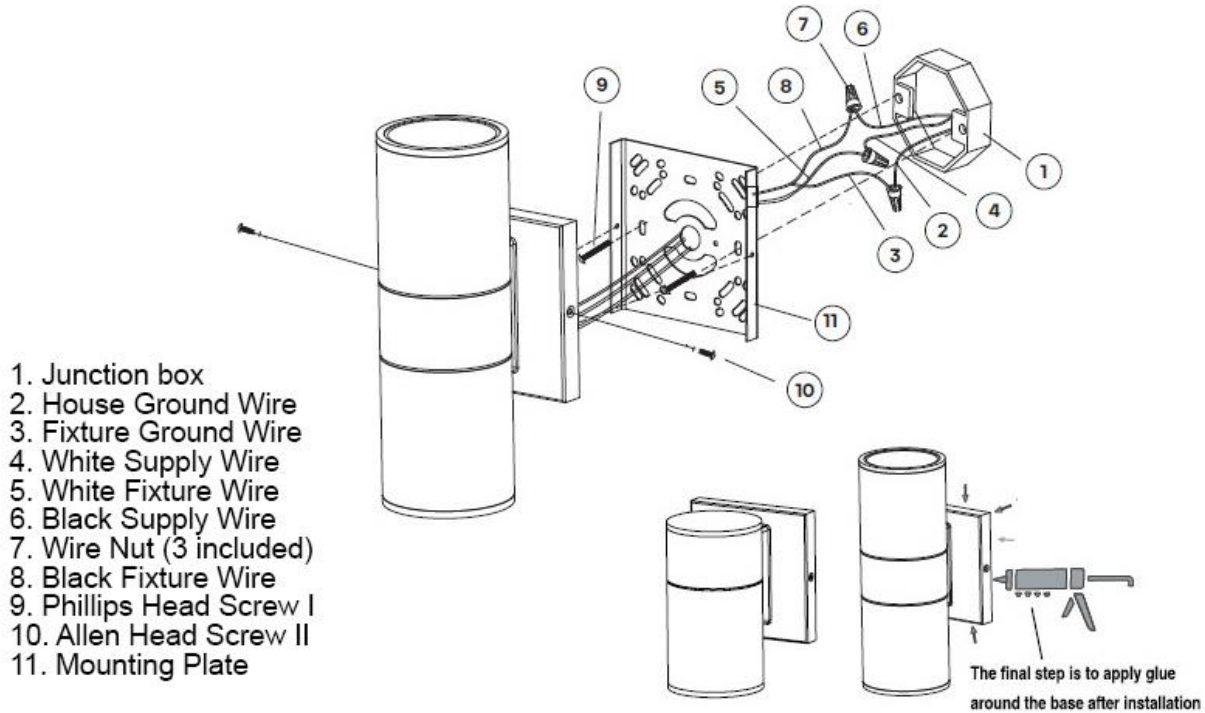
COLOR SELECTABLE LED OUTDOOR WALL SCONCE

WARNING, CAUTION, SAFETY AND INSTALLATION INSTRUCTIONS

WARNING

- Installation, service, and maintenance of luminaires should be performed by a qualified licensed electrician.
- Save these instructions as you may need them at a later date.
- Remove the fixture and mounting components from the box and make sure that there are no missing parts by referencing the illustration in the Assembly section.

Assembly



Installation Instructions

Refer to the Assembly section diagram as needed.

1. Loosen the two Phillips head mounting screws (#10 on diagram) and take the mounting plate off.
2. Secure the mounting plate (#11 on diagram) to the junction box (#1 on diagram) with the two Phillips head mounting screws.
3. Pull the black and white supply wires (#4 & #6 on diagram) and house ground wire (#2 on diagram) out from the junction box.
4. Make the wiring connections with wire nuts (#7 on diagram):
 - a. Connect the white supply wire (#4 on diagram) to the white fixture wire (#5 on diagram)
 - b. Connect the black supply wire (#6 on diagram) to the black fixture wire (#8 on diagram)
 - c. Connect the house ground wire to the fixture ground wire (#3 on diagram)
5. Carefully tuck all of the wires back into the junction box.
6. Ensure the CCT selection switch is facing down. Attach the wall sconce to the mounting plate with the two Allen head screws (#10 on diagram).



COLOR SELECTABLE LED OUTDOOR WALL SCONCE

WARNING, CAUTION, SAFETY AND INSTALLATION INSTRUCTIONS

⚠ WARNING

- Before installing, servicing, or performing routine maintenance upon this equipment, follow these general precautions.
- To reduce the risk of death, personal injury, or property damage from fire, electric shock, falling parts, cuts/abrasions, and other hazards, read all warnings and instructions included with and on the fixture box and all fixture labels.
- Proper grounding is required to ensure safety.
- Power must be turned off at the breaker before installation or maintenance.
- This product must be installed in accordance with the applicable installation code by a person familiar with the construction and operation of the product and the hazards involved.
- Wear gloves and eye protection at all times while installing, servicing, or performing maintenance on the luminaire, and avoid direct eye exposure to the light source while it is on.
- To prevent wiring damage or abrasion, do not expose wiring to edges of sheet metal or other sharp objects.
- Do not install damaged product. Inspect luminaire for damage that may have occurred during transit. If damaged, contact the manufacturer immediately.
- These instructions do not purport to cover all details or variations in equipment nor to provide every possible contingency to meet in connection with installation, operation, or maintenance. Should further information be desired or should particular problems arise which are not covered sufficiently for the purchaser's or owner's purposes, contact the manufacturer.

⚠ ADVERTENCIA

- Antes de instalar, reparar o realizar el mantenimiento de rutina de este equipo, siga estas precauciones generales.
- Para reducir el riesgo de muerte, lesiones personales o daños a la propiedad por fuego, descarga eléctrica, caída de piezas, cortes / abrasiones y otros peligros, lea todas las advertencias y instrucciones incluidas con y en la caja del dispositivo y todas las etiquetas del dispositivo.
- Se requiere una conexión a tierra adecuada para garantizar la seguridad.
- Se debe apagar la energía en el disyuntor antes de la instalación o el mantenimiento.
- Este producto debe ser instalado de acuerdo con el código de instalación aplicable por una persona familiarizada con la construcción y operación del producto y los peligros involucrados.
- Utilice guantes y protección para los ojos en todo momento durante la instalación, el servicio o el mantenimiento de la luminaria, y evite la exposición directa de los ojos a la fuente de luz mientras está encendida.
- Para evitar daños o abrasiones en el cableado, no exponga el cableado a bordes de láminas de metal u otros objetos afilados.
- No instale un producto dañado. Inspeccione la luminaria en busca de daños que puedan haber ocurrido durante el tránsito. Si está dañado, comuníquese con el fabricante de inmediato.
- Estas instrucciones no pretenden cubrir todos los detalles o variaciones en el equipo ni proporcionar todas las posibles contingencias a cumplir en relación con la instalación, operación o mantenimiento. Si desea obtener más información o si surgen problemas particulares que no están suficientemente cubiertos para los propósitos del comprador o propietario, comuníquese con el fabricante.