



LOCATION		DATE
PREPARED BY		QUANTITY
COMMENTS		FIXTURE TYPE
CATALOG NUMBER		

Outdoor LED Wall Pack TPWW700L50RB, TPWW1100L50RB

Features

All purpose wall pack is an energy saving long-lasting alternative to Incandescent. Ideal use for security and general lighting. Provides lighting in residential, commercial, retail and hospitality applications. Meets ADA requirements. Fixture mounts to a standard junction box (not included) on a wall.



Construction

Sheet metal base housing. Power supply connections must be made inside a junction box (not included).

Finish

All interior metal surface area is a white finish. Exterior is painted in Oil-Rubbed Bronze finish.

Diffuser

Clear prismatic polycarbonate diffuser attach to housing with machine screws (included).

Electrical

Input 120 VAC / 60 Hz.
Not compatible with dimmers.
Minimum starting temp -4° F/-20° C

LED

Integrated LED module capable of producing:
9W = 900 source lumens
17W = 1200 source lumens
5000K (CCT). Rated for 50,000 Hrs., 80 CRI.

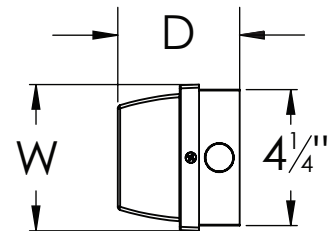
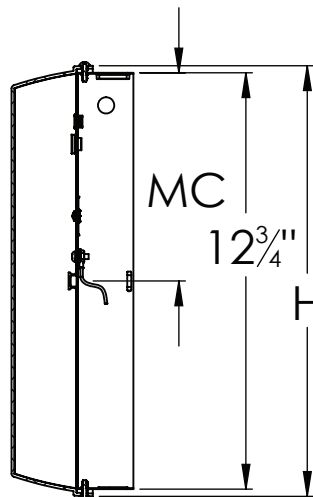
Certification

cETLus certified for outdoor damp locations.
ADA

Warranty

Limited warranty: This fixture is free from defects in materials and workmanship for a period of 5 years from date-of-purchase.

**Specifications and dimensions
subject to change without notice.**



Ordering Information:

	LED	Source Lumens	CCT	H	W	D	MC
Oil-Rubbed Bronze	9W	900	5000K	13-1/4"	4-1/2"	3-3/4"	6-3/8"
	17W	1200	5000K	13-1/4"	4-1/2"	3-3/4"	6-3/8"