

## WARNING

- Installation, service, and maintenance of luminaires should be performed by a qualified licensed electrician.
- Specifications and dimensions are subject to change without notice.
- Install this product in accordance with country, regional and local laws and regulations.
- If unsure about the installation or maintenance of this product, consult a qualified electrician and check the local electrical code.
- Avoid direct eye exposure to the light source while it is on.
- Disconnect power and allow fixture to cool before changing/handling fixture.

## CAUTION

- Do not make or alter any open holes in the enclosure.
- Verify the supply voltage is correct by comparing it with the luminaire label.
- All wiring connections should be capped with UL approved wire connectors.
- A green ground screw is provided in the proper location. Do not relocate.
- Use minimum 90° supply conductors.

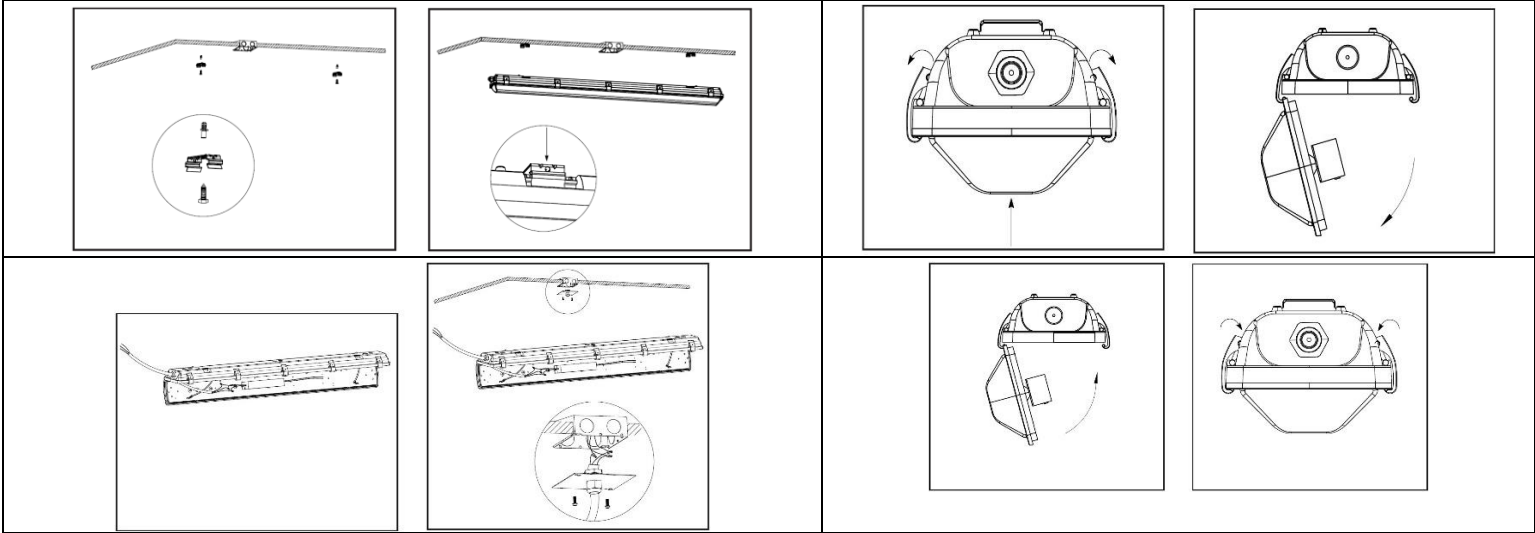
## NOTICE

- Account for small parts and destroy packing material, as these may be hazardous to children.
- Suitable for wet locations.

## Installation Instructions

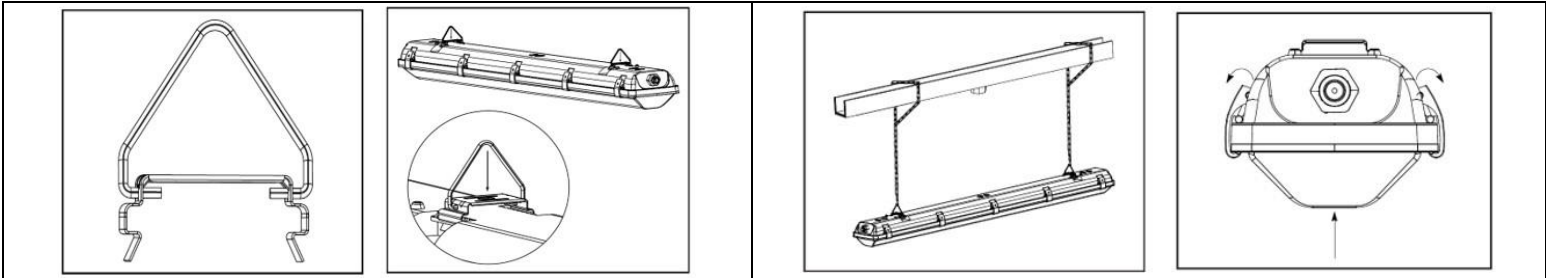
### Surface Mount

- Locate the drill holes for the mounting brackets. Use the hardware found in the hardware kit to mount the bracket to the desired surface.
- Secure the mounting clips to the recesses of the fixture housing by firmly pressing them into place until both sides of the clip are secured.
- Release the latches by pulling the top of the latch away from the fixture housing.
- Without touching the LED boards, detach the LED tray and lens assembly from the fixture.
- Locate the safety cable and verify it is connected to both the fixture housing and the LED tray with lens assembly before making the electrical connections.
- Thread the incoming power cord (supplied by others) through the liquid-tight knockout on the fixture housing.
- Connect the incoming power cord leads to the LED driver. See the Wiring Diagram section for proper wiring.
- Use the UL listed strain relief cord connector to secure the cord to the liquid-tight knockout on the fixture.
- Verify the incoming power cord is attached to the junction box with a UL listed strain relief cord connector.
- Re-attach the LED tray and lens assembly to the fixture housing and secure the assembly using the latches.
- Power on the fixture to verify proper operation.

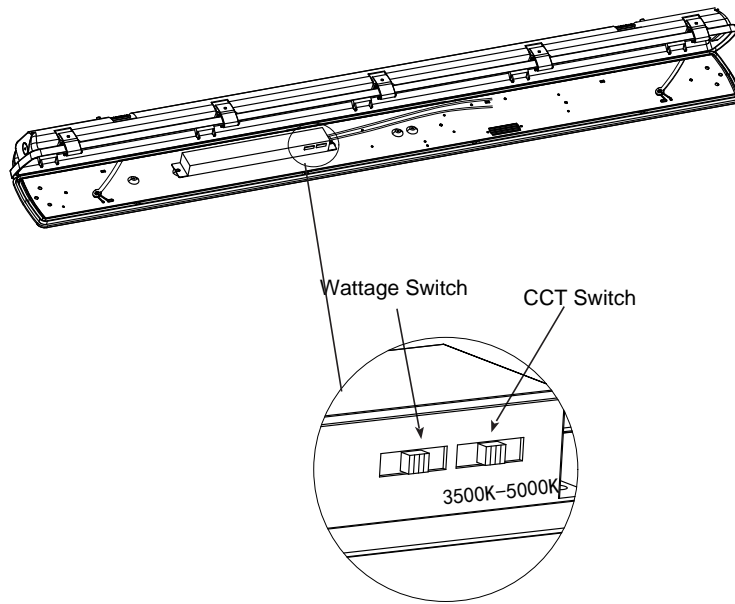
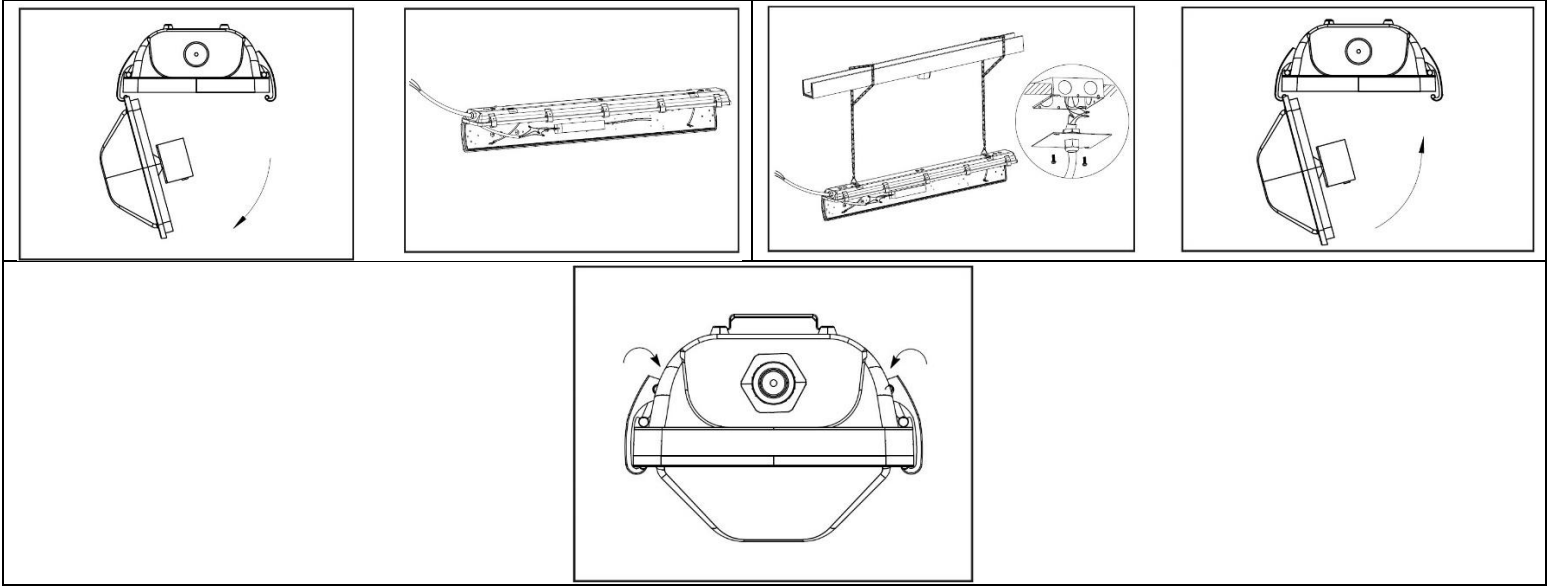


**Suspended Mount**

- Attach the V-bracket to each mounting clip by spreading the end of the V-bracket apart and then inserting the legs of the V-bracket into the holes in the side of the mounting clips.
- Secure the mounting clips to the fixture housing recesses by firmly pressing them into place until both sides of the clip are secured.
- Hang the fixture using the V-brackets and appropriate suspension hardware (supplied by others).
- Release the latches by pulling the top of the latch away from the fixture housing.
- Without touching the LED boards, detach the LED tray and lens assembly from the fixture.
- Locate the safety cable and verify it is connected to both the fixture housing and the LED tray with lens assembly before making the electrical connections.
- Thread the incoming power cord (supplied by others) through the liquid-tight knockout on the fixture housing.
- Connect the incoming power cord leads to the LED driver. See the Wiring Diagram section for proper wiring.
- Use the UL listed strain relief cord connector to secure the cord to the liquid-tight knockout.
- Verify the incoming power cord is attached with a UL listed strain relief cord connector.
- Re-attach the LED tray and lens assembly to the fixture housing and secure the assembly using the latches.
- Power on the fixture to verify proper operation.



**WATTAGE/COLOR SELECTABLE LED VAPOR TIGHT  
SAFETY AND INSTALLATION INSTRUCTIONS**



- The end users may adjust the color temperature and lumen output respectively by the DIP switches on the side of the LED driver. Each DIP switch is accommodated with 3 options (left, middle and right ), corresponding to 3 color temperatures and 3 wattages respectively, which can perform the desired color temperature and lumen output combination

1.DIP switches are located on the driver.

2.Select a wattage and color temperature by sliding switch left or right respectively to the desired value.

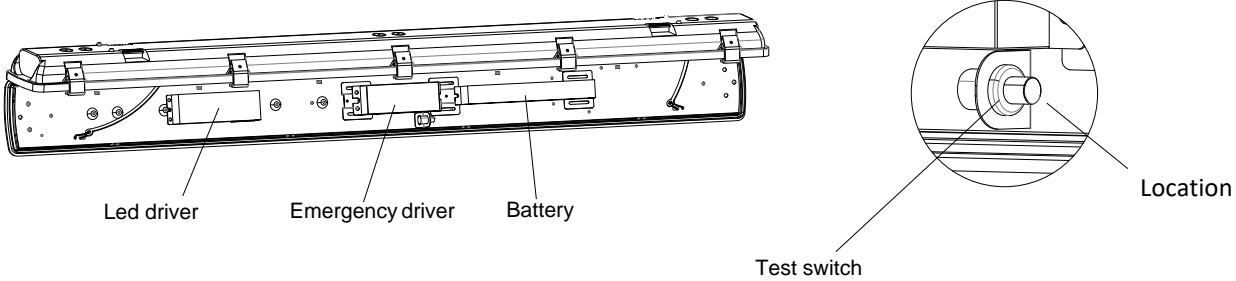
Factory Settings: CCT 5000K

75W for PLT-90355

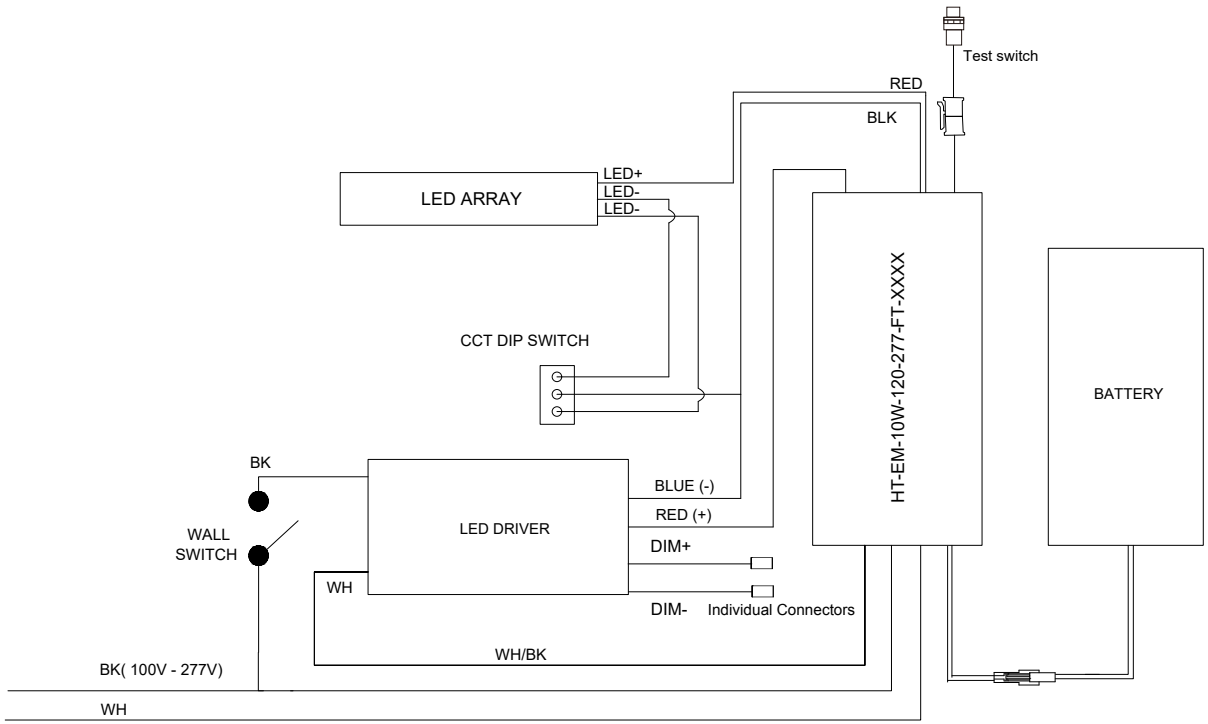
34W for PLT-90356

**Emergency Driver and Battery**

- Emergency Battery Back-up, EM Model: HT-EM-10W-120-277-FT-XXXX
- Notice: Always turn off the power supply from main circuit breaker first!



**General Wiring Diagram**



**TEST SWITCH INDICATOR STATUS:**

LED Indicators Status	EM Driver Status/Mode
• Solid Green	• System OK/AC OK
• Red indicator flashing, 4S ON, 1S OFF	• Low battery voltage, Self-Diagnostic failed
• Green indicator, 1S ON, 1S OFF	• Self-Diagnostic mode
• The indicators light OFF	• Power grid turn off, Emergency mode
• Alternate brightness of red and green, 1S RED, 1S GREEN	• Load Open
• Red indicator flashing, 1S ON, 1S OFF	• Load short, Self-Diagnostic mode
• Alternate brightness of red and green, 4S RED, 1S GREEN	• Self-Diagnostic and the output current exceeds 25% of the rated value

**Self-Diagnostic mode**

- 1.Each month auto self diagaostic
- 2.Each Year auto self diagaostic 90 mintues

**Self-Diagnostic Mode Enable and Disable operation method**

Dip Switch enable position and Learned LED load will enable Self-Diagnostic function , "ENABLE" is the default setting. Move Dip Switch to "DISABLE" if Self-Diagnostic functionality is not desired.



**Recharge time**

-12hours

**Operation time**

-90 minutes with 1000-1500 lumens output

The fixture can be switched off by connected wall switch. When emergency conditions (main power off), use wall switch to turn on the fixture which will be running in emergency mode.

PLEASE READ CAREFULLY AND FOLLOW ALL INSTRUCTIONS FOR YOUR OWN SAFETY

- IMPORTANT:** An un-switched AC power source of 100VAC to 277VAC is required for the black and white leads.
  - IMPORTANT:** A switched or un-switched AC power source of 100VAC to 277VAC is acceptable for the black lead only.
  - CAUTION:** Do not use outdoors.
  - CAUTION:** The use of accessory equipment not recommended by the manufacturer may cause an unsafe condition.
  - CAUTION:** Make sure all electrical connections conform to the National Electrical Code and all applicable local regulations.
  - CAUTION:** Do not mount near gas or electric heaters.
  - CAUTION: Do not use this emergency driver with accessory equipment other than recommended by manufacturer;** failure to follow this may cause an unsafe condition. Servicing should only be performed by qualified service personnel.
  - CAUTION:** Do not use this emergency driver for other than intended use.
  - CAUTION:** Battery is rechargeable LiFePo4 type and must be recycled or disposed of properly.
  - CAUTION:** Equipment should be mounted in locations and at heights where it will not readily be subjected to tampering by unauthorized personnel.
- SAVE THESE INSTRUCTIONS
- TESTING SYSTEM:** The emergency battery requires a minimum charge time of one (1) hour before testing the circuit. A minimum of twelve (12) hours is required for a full charge.
- IMPORTANT:** In order to maintain proper operation and warranty coverage, the battery must be recharged once per year prior to installation.

**RATED EMERGENCY OPERATION:** Ninety (90) minutes for the 10W load

**Max. mounting height:** 17.7 ft ( 5.39 m)" or the equivalent.

Model: HT-EM-10W-120-277-FT-XXXX

Associated Target Luminaire: E484679(PRECISION LIGHTING&TRANSFORMER, INC.), Model PLT-90355 and PLT-90356, with LED model STW8A2PD-XX, made by Seoul

## WARNING

- Before installing, servicing, or performing routine maintenance upon this equipment, follow these general precautions.
- To reduce the risk of death, personal injury, or property damage from fire, electric shock, falling parts, cuts/abrasions, and other hazards, read all warnings and instructions included with and on the fixture box and all fixture labels.
- Proper grounding is required to ensure safety.
- Power must be turned off at the breaker before installation or maintenance.
- This product must be installed in accordance with the applicable installation code by a person familiar with the construction and operation of the product and the hazards involved.
- Wear gloves and eye protection at all times while installing, servicing, or performing maintenance on the luminaire, and avoid direct eye exposure to the light source while it is on.
- To prevent wiring damage or abrasion, do not expose wiring to edges of sheet metal or other sharp objects.
- Do not install damaged product. Inspect luminaire for damage that may have occurred during transit. If damaged, contact the manufacturer immediately.
- These instructions do not purport to cover all details or variations in equipment nor to provide every possible contingency to meet in connection with installation, operation, or maintenance. Should further information be desired or should particular problems arise which are not covered sufficiently for the purchaser's or owner's purposes, contact the manufacturer.

## ⚠ ADVERTENCIA

- Antes de instalar, reparar o realizar el mantenimiento de rutina de este equipo, siga estas precauciones generales.
- Para reducir el riesgo de muerte, lesiones personales o daños a la propiedad por fuego, descarga eléctrica, caída de piezas, cortes / abrasiones y otros peligros, lea todas las advertencias y instrucciones incluidas con y en la caja del dispositivo y todas las etiquetas del dispositivo.
- Se requiere una conexión a tierra adecuada para garantizar la seguridad.
- Se debe apagar la energía en el disyuntor antes de la instalación o el mantenimiento.
- Este producto debe ser instalado de acuerdo con el código de instalación aplicable por una persona familiarizada con la construcción y operación del producto y los peligros involucrados.
- Utilice guantes y protección para los ojos en todo momento durante la instalación, el servicio o el mantenimiento de la luminaria, y evite la exposición directa de los ojos a la fuente de luz mientras está encendida.
- Para evitar daños o abrasiones en el cableado, no exponga el cableado a bordes de láminas de metal u otros objetos afilados.
- No instale un producto dañado. Inspeccione la luminaria en busca de daños que puedan haber ocurrido durante el tránsito. Si está dañado, comuníquese con el fabricante de inmediato.
- Estas instrucciones no pretenden cubrir todos los detalles o variaciones en el equipo ni proporcionar todas las posibles contingencias a cumplir en relación con la instalación, operación o mantenimiento. Si desea obtener más información o si surgen problemas particulares que no están suficientemente cubiertos para los propósitos del comprador o propietario, comuníquese con el fabricante.