

**WARNING**

- Installation, service, and maintenance of luminaries should be performed by a qualified licensed electrician.
- Read all instructions carefully.

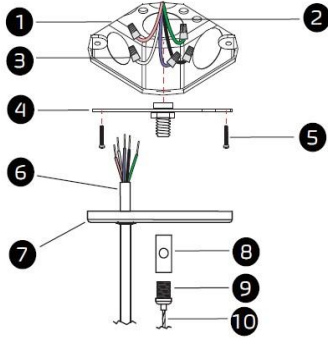
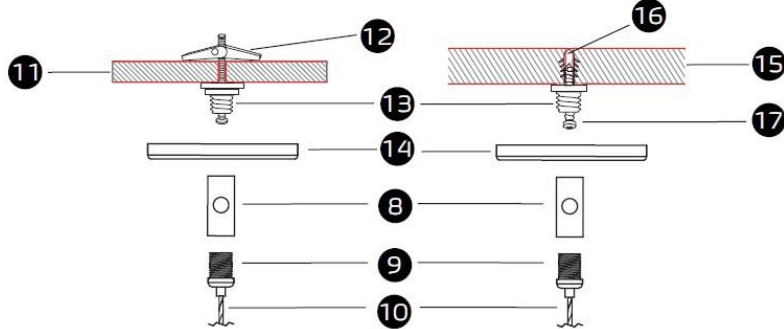

**CAUTION**

- To reduce the risk of fire and overheating, make sure all connections are tight.
- Do not cover the fixture with insulation or other materials.
- The max connection of each input line is 40FT in 120VAC, 80FT in 230VAC, and 100FT in 277VAC.

**NOTICE**

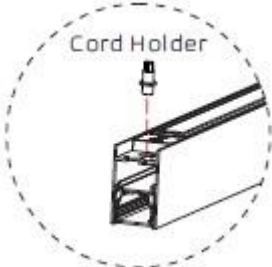

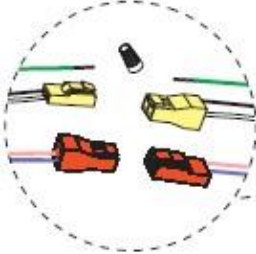
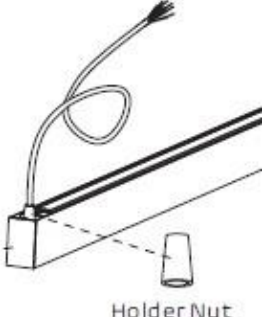
- Do not install in wet locations. For dry and damp locations only.

**Parts List**

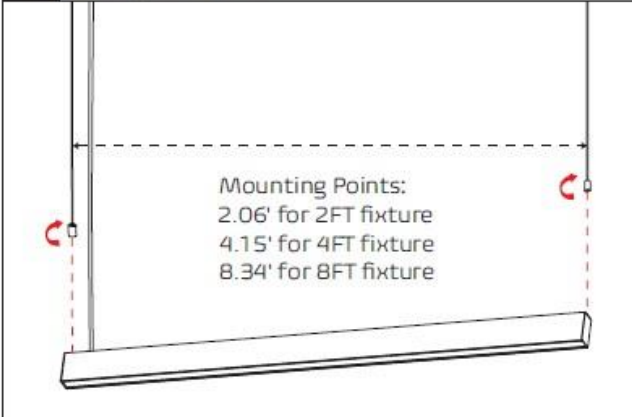
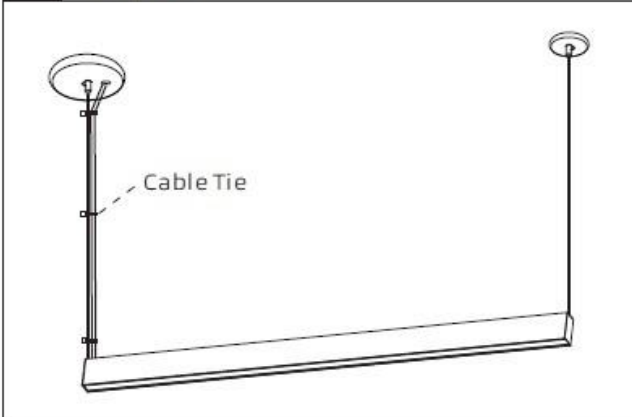
<p><b>▶ POWER FEED</b></p> 	<p><b>▶ NON POWER SUSPENSION</b></p> 
<p><b>▶ PARTS LIST</b></p> <ul style="list-style-type: none"> <li>1 4" Octagon Junction Box (By Others)</li> <li>2 Electrical Wiring (By Others)</li> <li>3 Wire Nut</li> <li>4 Junction Box Crossbar</li> <li>5 Screw PM4*22</li> <li>6 Power Cord</li> <li>7 4" Power Canopy Kit</li> <li>8 Cable Holder</li> <li>9 Strain Relief Thread Nut</li> <li>10 Aircraft Cable</li> <li>11 Drywall Ceiling (By Others)</li> <li>12 Butterfly Drywall Anchor</li> <li>13 Crimp Stud</li> <li>14 2" Canopy</li> <li>15 Solid Ceiling (By Others)</li> <li>16 Anchor</li> <li>17 Screw PA4*30</li> </ul>	

## Installation Instructions

### Pre-Installation

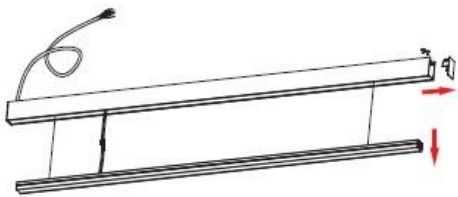
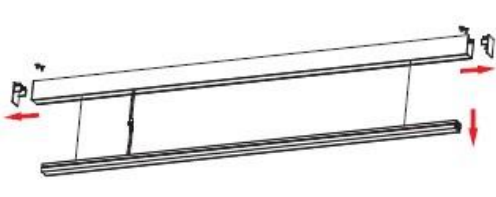
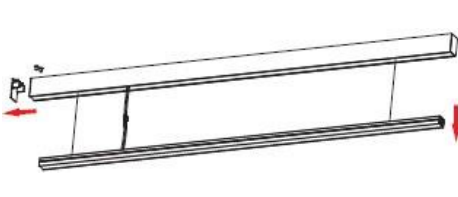
Assemble Power Cord			
 <p>Cord Holder</p>			 <p>Holder Nut</p>
<p>1. Take off the end-cap then remove the LED module, and thread the power cord through the pre-installed cord holder as shown.</p>	<p>2. Take off LED modular, thread the power cord into the cord holder as shown.</p>	<p>3. Wiring - must connect connectors with corresponding colors as shown.</p>	<p>4. Adjust the holder nut then remount the LED module and end-cap.</p>


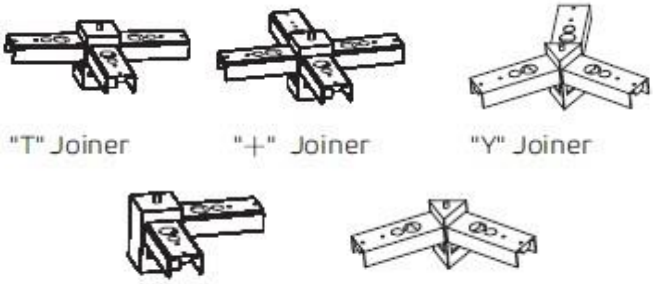
### Independent Installation

<p><b>1</b> Hang Luminaire</p>  <p>Mounting Points: 2.06' for 2FT fixture 4.15' for 4FT fixture 8.34' for 8FT fixture</p>	<p><b>2</b> Complete</p>  <p>Cable Tie</p>
<p>Securely screw the aircraft cables clockwise onto the top of the housing unit.</p> <p><b>NOTE:</b> The height of the luminaire can be adjusted with the aircraft cable gripper. Raise the luminaire by pulling the cables through the gripper. Lower the luminaire by pressing the top cylinder on the gripper, and carefully pull the luminaire down.</p>	<p>Use the cable tie to keep the power cord and aircraft cables from tangling.</p>

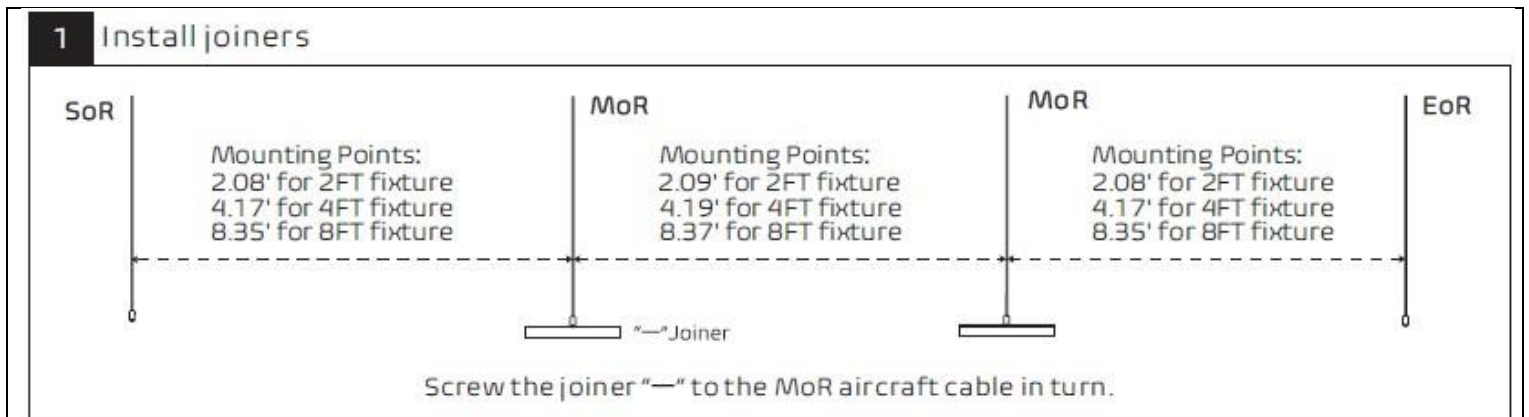
**End-to-End Connections**

Before Connecting

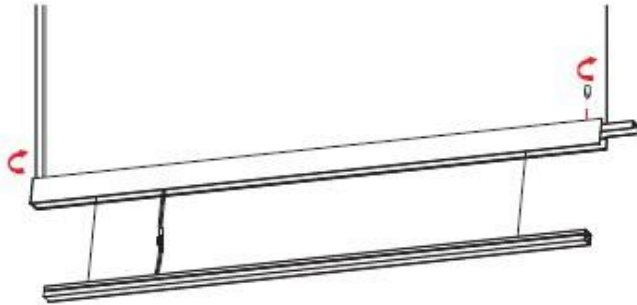
Disassemble Luminaries		
		
<p><b>Start of run (SoR):</b> Remove the end-cap without power cord and take the LED module out.</p>	<p><b>Middle of run (MoR):</b> Remove both end-caps and take the LED module out.</p>	<p><b>End of run (EoR):</b> Remove the end-cap without power cord and take the LED module out.</p>

Joiner Options	
 <p>"—" Joiner PLT-90450</p>	 <p>"T" Joiner      "+" Joiner      "Y" Joiner "L" Joiner      "V" Joiner</p> <p>Available via Special Order. Please call 1-800-624-4488. <b>NOTE:</b> Need 2 inputs if using joiners "T", "+", and "Y".</p>

Installation



**2** Hang luminaire and wiring - SoR



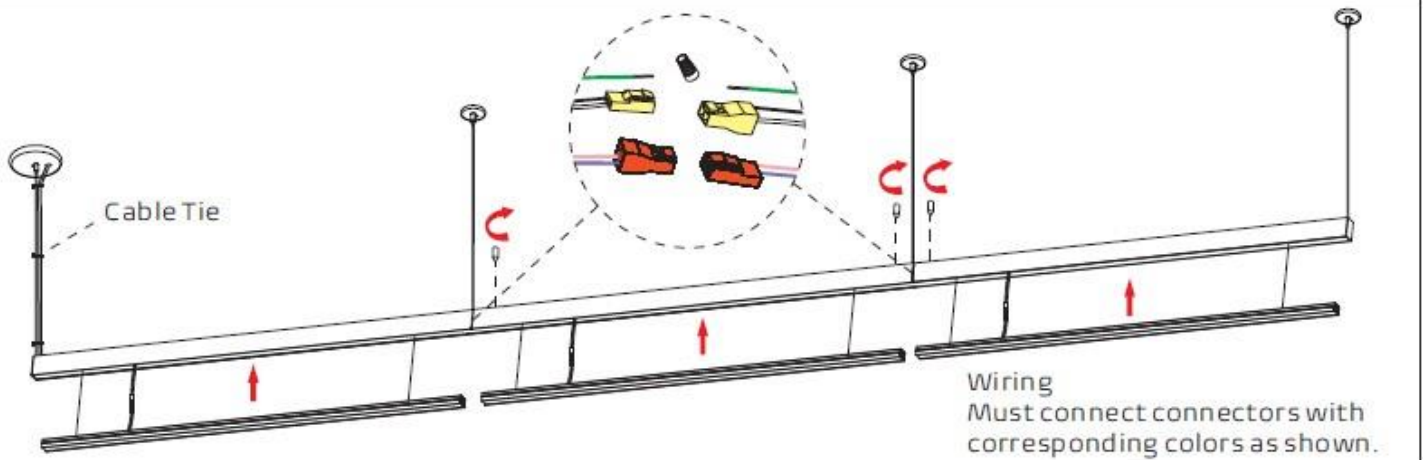
**⚠ Adjust the height of luminaire.**

The height of the luminaire can be adjusted as needed. Raise the luminaire by pulling cable through the gripper. Lower the luminaire by depressing the top cylinder on the gripper, which pulls the luminaire down.

2-1: Insert the joiner "—" into luminaire from one side and fix it with screws.

2-2: Screw both bottom parts to aircraft cables clockwise and secure them on the top of the house, making sure they hang the lights.

**3** Repeat Hang and join steps - MoR to EoR

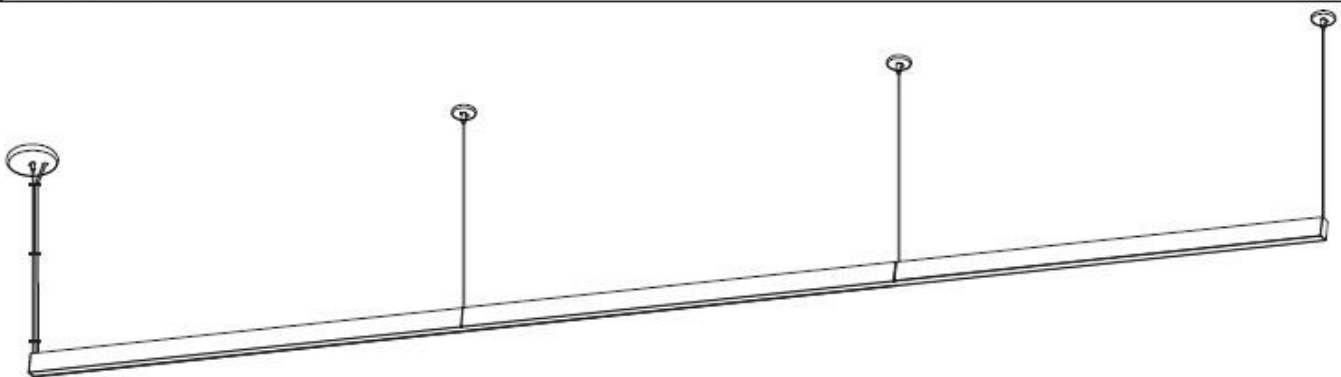


3-1: Zip tie power cord and aircraft suspension cables together with the cable ties.

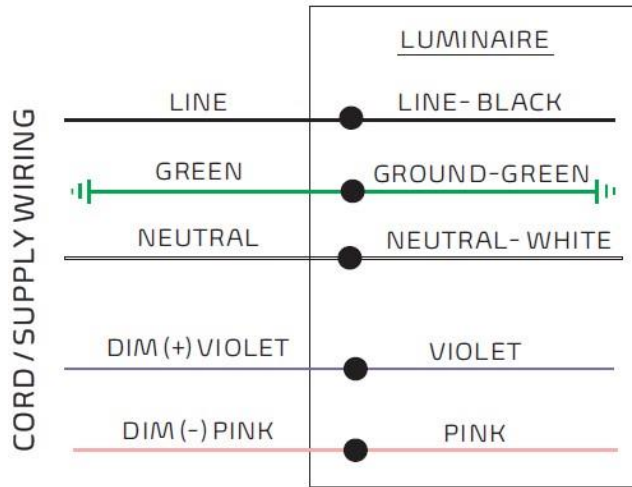
3-2: Connect the quick connectors properly.

3-3: Insert all the LED modules into the housing from SoR to EoR in turn.

**4** Complete



## Wiring Diagram



- Must connect wires with corresponding colors as shown.
- If dimming is not needed, isolate the two dimming wires by the P2 terminal individually.

## ⚠ WARNING

- Before installing, servicing, or performing routine maintenance upon this equipment, follow these general precautions.
- To reduce the risk of death, personal injury, or property damage from fire, electric shock, falling parts, cuts/abrasions, and other hazards, read all warnings and instructions included with and on the fixture box and all fixture labels.
- Proper grounding is required to ensure safety.
- Power must be turned off at the breaker before installation or maintenance.
- This product must be installed in accordance with the applicable installation code by a person familiar with the construction and operation of the product and the hazards involved.
- Wear gloves and eye protection at all times while installing, servicing, or performing maintenance on the luminaire, and avoid direct eye exposure to the light source while it is on.
- To prevent wiring damage or abrasion, do not expose wiring to edges of sheet metal or other sharp objects.
- Do not install damaged product. Inspect luminaire for damage that may have occurred during transit. If damaged, contact the manufacturer immediately.
- These instructions do not purport to cover all details or variations in equipment nor to provide every possible contingency to meet in connection with installation, operation, or maintenance. Should further information be desired or should particular problems arise which are not covered sufficiently for the purchaser's or owner's purposes, contact the manufacturer.

## ⚠ ADVERTENCIA

- Antes de instalar, reparar o realizar el mantenimiento de rutina de este equipo, siga estas precauciones generales.



- Para reducir el riesgo de muerte, lesiones personales o daños a la propiedad por fuego, descarga eléctrica, caída de piezas, cortes / abrasiones y otros peligros, lea todas las advertencias y instrucciones incluidas con y en la caja del dispositivo y todas las etiquetas del dispositivo.
- Se requiere una conexión a tierra adecuada para garantizar la seguridad.
- Se debe apagar la energía en el disyuntor antes de la instalación o el mantenimiento.
- Este producto debe ser instalado de acuerdo con el código de instalación aplicable por una persona familiarizada con la construcción y operación del producto y los peligros involucrados.
- Utilice guantes y protección para los ojos en todo momento durante la instalación, el servicio o el mantenimiento de la luminaria, y evite la exposición directa de los ojos a la fuente de luz mientras está encendida.
- Para evitar daños o abrasiones en el cableado, no exponga el cableado a bordes de láminas de metal u otros objetos afilados.
- No instale un producto dañado. Inspeccione la luminaria en busca de daños que puedan haber ocurrido durante el tránsito. Si está dañado, comuníquese con el fabricante de inmediato.
- Estas instrucciones no pretenden cubrir todos los detalles o variaciones en el equipo ni proporcionar todas las posibles contingencias a cumplir en relación con la instalación, operación o mantenimiento. Si desea obtener más información o si surgen problemas particulares que no están suficientemente cubiertos para los propósitos del comprador o propietario, comuníquese con el fabricante.