



Emergency Lighting Control Device
Supports lighting loads up to 20A

Product order number:
BLCD20B

12NC number:
913702445901

Project: _____
Location: _____
Cat.No: _____
Type: _____
Qty: _____
Notes: _____

Specifications

UL Listed for US and Canada
UL 924 Emergency Lighting Compliant
Field Installation (Indoor and Damp)

Full Warranty
3 Years (NOT pro-rata)

Input Voltage
120-277 VAC, 50/60 Hz

Output Voltage
120-277 VAC, 50/60 Hz (Auto Select)

Lighting Load Rating
Maximum Load:
Ballast - 20A @ 120/277VAC
LED Driver - 20A @ 120/277VAC
Incandescent - 10A @ 120VAC

Temperature Rating (Ambient)
0-50°C (32-122°F)

Relative Humidity Range
5-95%, noncondensing

Housing
Fire rated UL 94 V-0, 176°F (80°C)

Plenum Rating
UL 2043 Plenum Rated

Dimensions
2.97"x 1.64"x 1.7" with a 1/2" threaded nipple
(76 mm x 42 mm x 43 mm)

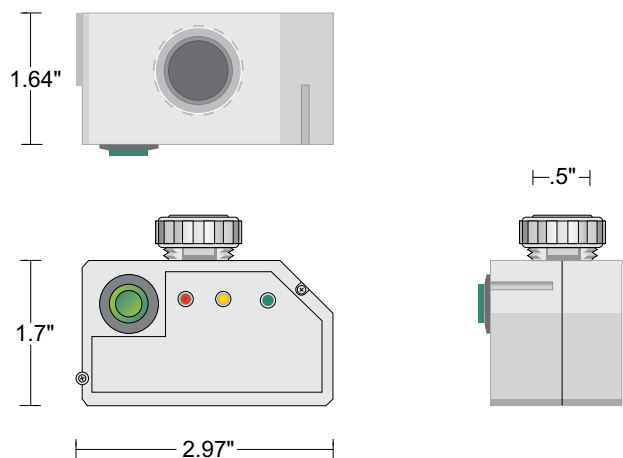
Weight
6.4 oz. (0.18 kg)

Benefits

- Allows illumination of generator supplied emergency lighting regardless of wall switch position
- Energy cost savings benefits by eliminating constant night lighting
- Compatible with LED and fluorescent loads up to 20A and incandescent loads up to 10A.
- Small size - Can be mounted on standard junction box
- Designed with Auto Select to detect proper input voltage
- Plenum Rated (UL 2043)
- Interfaces with fire alarm panel or security system

Dimensions

2.97" x 1.64" x 1.7"



BLCD-20B

Generator Product

Application

The BLCD-20B works in conjunction with an auxiliary generator or central inverter system. The unit is designed to control lighting in areas where emergency lighting fixtures are connected on dedicated emergency lighting circuits that are typically on 24 hours per day. The BLCD-20B allows normal control of emergency lighting for energy savings and/or task related reasons while strictly adhering to National Electric Code (NEC) requirements. It is suitable for any application where enhanced energy saving of emergency lighting is desired.

Operation

The BLCD-20B senses the loss of normal power and switches the lighting load, connecting it to a user-designated emergency circuit. No routine maintenance is required to keep the BLCD-20B functional; however, like other life safety unit equipment, it should be checked periodically to ensure that it is working properly.

Installation

The BLCD-20B does not affect normal fixture operation and may be used with either a switched or unswitched fixture. If a switched fixture is used, an unswitched hot lead must be connected to the emergency ballast. The emergency ballast must be fed from the same branch circuit as the AC ballast. Installation is not recommended with fixtures where the ambient temperature may fall below 0°C. Please note: Test switch

Specification

Emergency egress lighting shall be provided by using existing lighting loads equipped with a Bodine BLCD-20B emergency lighting relay control unit. The unit shall be capable of controlling dedicated emergency lighting fixtures and energizing them when normal utility power has been lost. The unit shall consist of relay switching circuitry, a test switch, a normal power indicator light and an alternate power indicator light contained in one 2.97"x 1.64"x 1.7" enclosure; shall sense normal power

at 120 or 277 VAC, 50/60 Hz; and be rated for 120 or 277 VAC, 50/60 Hz at up to 20 amps of lighting load. The unit shall be UL Listed for field installation and shall be warranted for a full three years from date of purchase.

Warranty

The BLCD-20B emergency lighting control unit is warranted for three (3) full years from date of purchase. Please see detailed warranty information on our website.

