



Emergency Lighting Control Device  
0-10 VDC Dimmer Override  
Supports lighting loads up to 16A

Project: \_\_\_\_\_  
Location: \_\_\_\_\_  
Cat.No: \_\_\_\_\_  
Type: \_\_\_\_\_  
Qty: \_\_\_\_\_  
Notes: \_\_\_\_\_

**Product order number:**  
BLCD16DIM

**12NC number:**  
913702478401

### Specifications

**UL Listed for US and Canada**  
UL 924 Emergency Lighting Compliant  
Field Installation (Indoor and Damp)

**Full Warranty**  
5 Years

**Input Voltage**  
120-277 VAC, 50/60 Hz

**LED Lighting Load Rating**  
Up to 16A electronic ballast rating

**Temperature Rating (Ambient)**  
-35°C to +60°C (-30°F to +140°F)

**Relative Humidity Range**  
5 to 95%, (noncondensing)

**Housing**  
UL accepted for use in Plenum, NEMA 1

**Wire**  
16", 600V Rated

**Dimensions**  
4.0"x 4.0"x 1.81" with a 1/2" threaded nipple  
(102 mm x 102 mm x 46 mm)

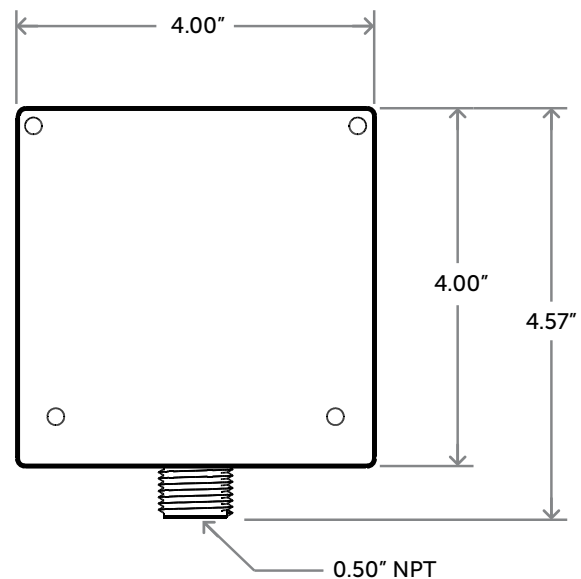
**Weight**  
0.675 lbs.

### Benefits

- Allows generator supplied emergency lighting regardless of wall switch position
- Energy cost savings benefits by eliminating constant night lighting
- LED rating - Up to 16 Amp electronic ballast rating
- Small size - Can be mounted on standard junction box
- 0-10 VDC dimmer override
- Plenum Rated (UL 2043)
- Interfaces with fire alarm panel or security system

### Dimensions

4.0" x 4.0" x 1.81"



# BLCD16DIM

## Generator Product

### Application

The BLCD16DIM works in conjunction with an auxiliary generator or central inverter system. The unit is designed to control lighting in areas where emergency lighting fixtures are connected on dedicated emergency lighting circuits that are typically on 24 hours per day. The BLCD16DIM allows normal control of emergency lighting for energy savings and/or task related reasons while strictly adhering to National Electric Code (NEC) requirements. It is suitable for any application where enhanced energy saving of emergency lighting is desired.

### Operation

The BLCD16DIM senses the loss of normal power and switches the lighting load on, connecting it to a user designated emergency circuit. The BLCD16DIM can be used to override a 0-10V dimmer to full brightness. No routine maintenance is required to keep the BLCD16DIM functional; however, like other life safety unit equipment, it should be checked periodically to ensure that it is working properly.

### Installation

The BLCD16DIM does not affect normal fixture operation and comes fully assembled for immediate installation. In addition to available wiring, the device requires a direct, unswitched connection to a normal power circuit and, depending on the application, an unswitched connection to a generator-supplied or central inverter system-supplied emergency panel. See wiring diagram for typical installation. UI And Code Compliance The BLCD16DIM has been tested by Underwriters Laboratories in accordance with the standards set forth in UL 924 as "Emergency Lighting Equipment" and UL 2043 as plenum rated. The BLCD16DIM is UL and cUL listed for field installation in the US and Canada.

### Specification

Emergency egress lighting shall be provided by using existing lighting loads equipped with a Bodine BLCD16DIM emergency lighting relay control unit. The unit shall be capable of controlling dedicated emergency lighting fixtures and energizing them

when normal utility power has been lost. The unit shall consist of relay switching circuitry, a test switch, normal and emergency power indicator lights contained in one 4" x 4" x 1.81" enclosure; shall sense normal power at 120-277 VAC, 50/60 Hz; and be rated for 120-277 VAC, 50/60 Hz at up to 16 amps of lighting load. The unit shall be UL Listed for field installation and shall be warranted for a full five years from date of purchase.

### Warranty

The BLCD16DIM emergency lighting control unit is warranted for five (5) full years from date of purchase. Please see detailed warranty information on our website.

