



Color Selectable LED Flood Light Fixture

DESCRIPTION

Replace existing metal halide flood fixtures with these more efficient color selectable LED flood fixtures.

FEATURES

- Delivers up to 151 LPW for highly efficient performance
- Yoke mount adjusts up to 180° (90° left and 90° right)
- Slipfitter adjusts up to 180° (90° left and 90° right)
- 0-10V dimming; see Dimmer Compatibility for list of compatible dimmers
- 11.81" whip on 60W to 80W fixtures; 19.69" whip on 105W fixtures
- Light output changes depending on the color temperature selected; see Selectable Table for full breakdown
- Color temperature can be adjusted using the dip switch on the back of the fixture; see installation instructions for more information

LISTINGS

- UL rated for wet locations
- IP65
- FCC

PERFORMANCE

- CRI: >80
- CCT: 3000K, 4000K, 5000K
- Rated lifetime L70: 50,000 hours

THERMAL

- -31°F to 113°F or (-35°C to 45°C) operating temperature

ELECTRICAL

- THD: ≤20%
- Power Factor: ≥0.9
- Input Voltage: 120-277V
- Surge Protection: 2.5kV (60W), 4Kv (80W-105W)
- Dimmable power supply (0-10V)

INSTALLATION

- Designed for installation with included mount; see Performance Summary for a full breakdown of which mount is included. For information on how to install these fixtures, see installation instructions.

CONSTRUCTION

- Die-cast aluminum housing
- Durable polyester bronze powder coating withstands demanding environments
- Clear impact-resistant tempered glass lens

Project name	Type
Catalog number	
Comments	Voltage
Approved by	Date



WARRANTY

- 5 year limited warranty; see pltsolutions.com for warranty details

APPLICATIONS

- Safety and Security Lighting
- Sign Lighting
- Building Facades

PERFORMANCE SUMMARY

Item #	Watts*	CCT*	Beam Angle	CRI	Dimming	Voltage	Replaces	Mounting	BUG
PLT-13140	105W	3000/4000/5000	145°	>80	0-10V	120-277V	250W MH	Slipfitter	B4-U0-G1
PLT-13141	105W	3000/4000/5000	145°	>80	0-10V	120-277V	250W MH	Yoke	B4-U0-G1
PLT-13142	80W	3000/4000/5000	145°	>80	0-10V	120-277V	250W MH	Slipfitter	B3-U0-G1
PLT-13143	60W	3000/4000/5000	145°	>80	0-10V	120-277V	175W MH	Yoke	B3-U0-G1

* See Selectable Table for full breakdown

SELECTABLE TABLE

Wattage	CCT	Lumens	Efficacy
60	3000K	7782	130
	4000K	8372	140
	5000K	8178	136
80	3000K	10,712	134
	4000K	11,509	144
	5000K	11,325	142
105	3000K	13,243	126
	4000K	14,129	135
	5000K	13,616	130

DIMMER COMPATIBILITY

Brand	Model
Leviton	SD710
Leviton	IP710
Legrand	RH4FBL3PW
Lutron	NFTV
Lutron	NTSTV
Lutron	DVTV

DIMENSIONS

60W W/ YOKE MOUNT

Length – 7.4"

Length (with mount) – 9.2"

Width – 9.8"

Depth – 3.3"

Weight – 4.10 lbs

Weight w/ mount – 4.81 lbs

Yoke Length – 10.31"

Yoke Width – 6.02"

Yoke Height – 1.18"



80W W/ SLIPFITTER MOUNT

Length – 7.4"

Length (with mount) – 16"

Width – 10.5"

Depth – 3"

Weight – 4.10 lbs

Weight (w/ mount) – 6.88 lbs

Slipfitter Length – 12.91"

Slipfitter Width – 10.24"

Slipfitter Height – 2.87"

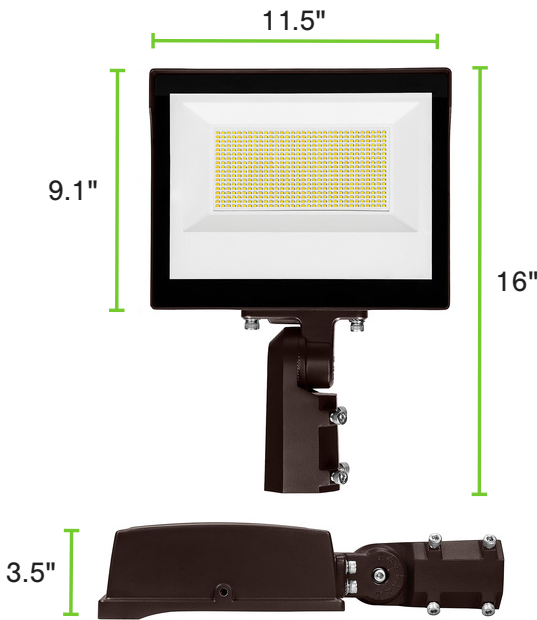


DIMENSIONS

105W W/ SLIPFITTER MOUNT

Length – 9.1"
 Length (with mount) – 16"
 Width – 11.5"
 Depth – 3.5"
 Weight – 7.2 lbs

Slipfitter Length – 6.93"
 Slipfitter Width – 4.88"
 Slipfitter Height – 2.87"



105W W/ YOKE MOUNT

Length – 9.1"
 Length (with mount) – 11.5"
 Width – 12.5"
 Depth – 3.3"
 Weight – 7.72 lbs
 Weight (w/ mount) – 8.51 lbs

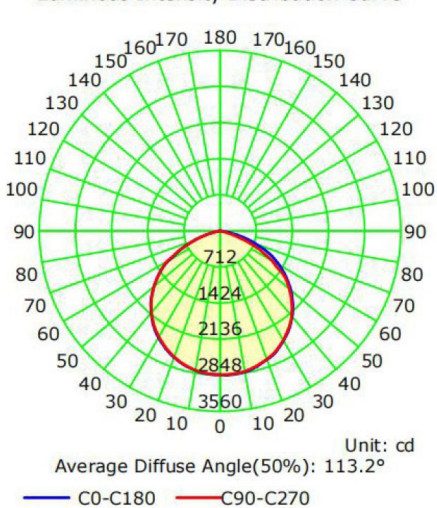
Yoke Length – 12.05"
 Yoke Width – 7.13"
 Yoke Height – 1.38"



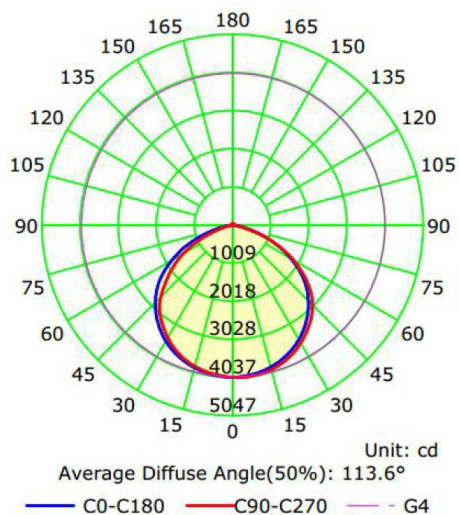
PHOTOMETRICS

60W FLOOD FIXTURE

Luminous Intensity Distribution Curve



80W FLOOD FIXTURE



105W FLOOD FIXTURE

Luminous Intensity Distribution Curve

