



DESCRIPTION

Providing a one-for-one replacement of up to 1000 Watt metal halide fixtures or 8 lamp fluorescent fixtures, these LED high bay fixtures come with a pre-installed motion sensor that turns the fixture on, off, and adjusts the light level depending on the amount of ambient light and room occupancy.

FEATURES

- Up to 136 LPW ultra-high efficiency delivers superior performance over legacy HID high bays
- Pre-installed PIR motion sensor allows fixture to turn on or off automatically depending on the amount of light or activity detected in the area; see Motion Sensor Specifications for information on factory settings
- Optional remote control available to adjust motion sensor settings including light levels and daylight harvesting; remote must be less than 40 feet from the sensor/fixture that is being controlled; see PLT-90311 for more information

LISTINGS

- UL rated for damp locations
- IP20
- DesignLights Consortium® 5.1 Premium - meets the requirements for the highest DLC qualification for efficacy and lumen maintenance; DLC PN: PLTM17C512

PERFORMANCE

- CRI: 80
- CCT: 5000K
- LED L70 Life Hours @ 25°C: 100,000 hours

THERMAL

- -4°F to 122°F (-20°C to 50°C) operating temperature

ELECTRICAL

- THD: 20%
- Power Factor: 0.9
- Input Voltage: 120-277V
- Dimmable power supply (0-10V)
- Surge Protection: 2kV

INSTALLATION

- Designed for with suspended mounting with included V-hooks and 3.4 ft. chains; see installation instructions for more information

CONSTRUCTION

- Stamped sheet metal housing with white finish
- Frosted PMMA lens protects LEDs while evenly distributing light

| | |
|-----------------------|----------------|
| Project name | Type |
| Catalog number | |
| Comments | Voltage |
| Approved by | Date |



WARRANTY

- 5-year limited warranty; see pltsolutions.com for warranty details

APPLICATIONS

- Warehouses
- Manufacturing Plants
- Distribution Centers
- Grocery Stores
- Gymnasiums
- Indoor Recreational Facilities
- Cold Storage
- Big Box Retail
- Service Repair Centers

PERFORMANCE SUMMARY

| Item # | Model | Watts | Lumens | LPW | CCT | CRI | Voltage | Replaces | Length | DLC # | DLC Level |
|-----------|--------|-------|--------|-----|-------|-----|----------|----------|--------|------------|-------------|
| PLT-80044 | Linear | 255 | 34,680 | 136 | 5000K | 80 | 120-277V | MH1000 | 2.6' | PLTM17C512 | 5.1 Premium |

MOTION SENSOR SPECIFICATIONS

| | |
|--------------------------------|--|
| Input Voltage | 12V DC |
| Power Consumption | 0.1 Watt |
| Dimming | 0-10V |
| Mounting Height | 35' Max. |
| Sensor Range | 80' Max. (40' on all sides of fixture) |
| Default Setting* | <ul style="list-style-type: none"> • Trim Level - 100% • Hold Time - 5mins • Standby Dim - 30% • Standby Time - 60min • Photocell - OFF |
| Dimming Level Setting** | 0%, 10%, 30%, 50%, 75%, 100% |
| Delay Time Setting** | 10s, 5min, 15min, 30min, 60 minutes, or ∞ |
| Certification | UL |

* Reset button returns sensor settings to preset mode, see PLT-90311 for more information

** Adjustable only with remote, see PLT-90311 for more information

FIXTURE DIMENSIONS

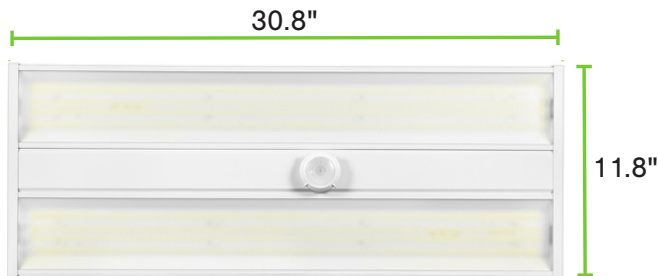
DIMENSIONS:

Length: 30.8"

Height: 1.8"

Width: 11.8"

Weight: 12.1 lbs

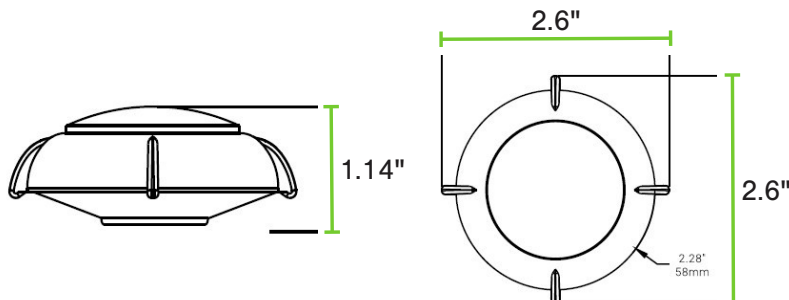


MOTION SENSOR DIMENSIONS

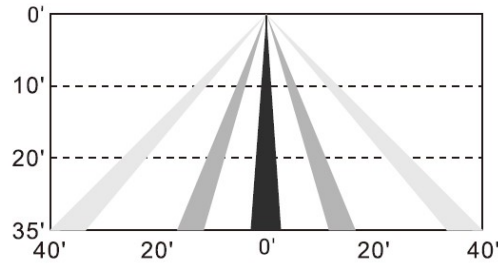
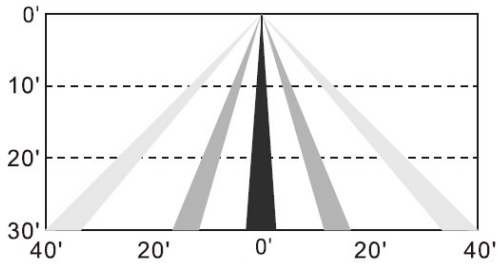
DIMENSIONS:

Diameter: 2.6"

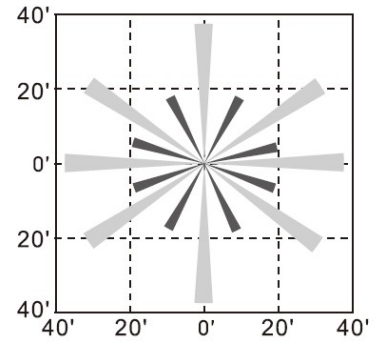
Depth: 1.14"



MOTION SENSOR COVERAGE



Coverage Top View



PHOTOMETRICS

LUMINOUS INTENSITY DISTRIBUTION DIAGRAM

