



DESCRIPTION

Featuring a low-profile design, these UFO LED high bays are a cost-effective solid-state solution for high bay applications, providing a one-for-one replacement of existing metal halide fixtures.

FEATURES

- Up to 151 LPW ultra-high efficiency delivers superior performance over older HID high bays
- Efficiently replaces a 250W metal halide fixture
- 6' power cord standard for more installation flexibility
- 0-10V dimming
- Optional motion sensor and remote control; see Accessories section for more information
- Optional u-bracket available for surface mounting; see Mounting Accessories section for more information

LISTINGS

- UL rated for wet locations
- IP65

PERFORMANCE

- CRI: >80
- CCT: 5000K
- LED L70 Life Hours: 149,000 hours
- Philips Lumileds SMD LEDs

THERMAL

- -40°F to 122°F (-40° to 50°C) operating temperature

ELECTRICAL

- THD: ≤20%
- Power Factor: ≥0.9
- Input Voltage: 120-277V
- Surge Protection: 6kV

INSTALLATION

- Suspended mounting with included 10mm ring or surface mounting (u-bracket sold separately); see installation instructions for more information

CONSTRUCTION

- Slim, lightweight die-cast aluminum construction allows for quick and easy installation
- PC lens protects LEDs while evenly distributing light
- White finish

Project name	Type
Catalog number	
Comments	Voltage
Approved by	Date



WARRANTY

- 5-year limited warranty; see pltsolutions.com for warranty details

APPLICATIONS

- Warehouses
- Manufacturing Plants
- Distribution Centers
- Grocery Stores
- Gymnasiums
- Indoor Recreational Facilities
- Cold Storage
- Big Box Retail
- Service Repair Centers

PERFORMANCE SUMMARY

Item #	Model	Watts	Lumens	LPW	CCT	CRI	Dimming	Voltage	Replaces	Finish
PLT-13130	UFO	100	15,190	151	5000K	>80	0-10V	120-277V	MH250	White

ACCESSORIES

SKU	Description
PLT-12844	High Bay Occupancy Sensor and Photocell - Microwave - White - Screw-in Connector - 12 Volt
PLT-13121	High Bay Occupancy Sensor and Photocell - Passive Infrared (PIR) - White - Screw-in Connector - 12 Volt
PLTS-12281	Motion Sensor Remote

MOUNTING ACCESSORIES

SKU	Description
PLTS-12377	Adjustable U-Bracket - White

DIMENSIONS

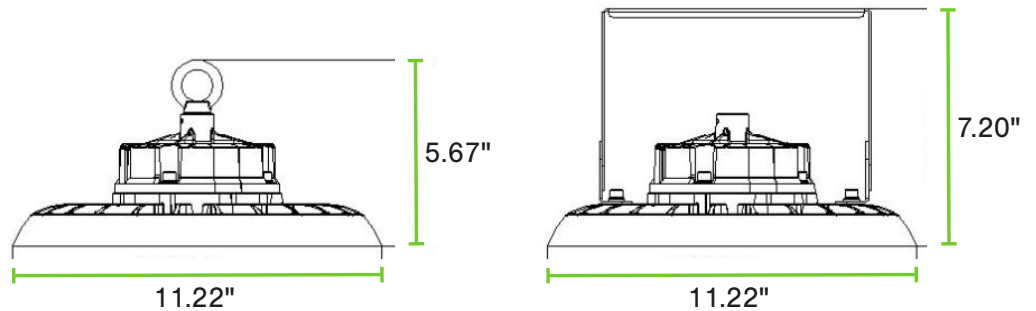
Height with ring mount – 5.67"

Height w/ bracket – 7.20"

Diameter – 11.22"

Weight – 3.97 lbs

Ring Mount Thread Size: 10MM



PHOTOMETRICS

Luminous Intensity Distribution Curve

