

DESCRIPTION

This fully adjustable gimbal track head is compatible with HALO track and operates a BR/PAR30 bulb.

FEATURES

- Operates up to a 75W R/PAR30 bulb (sold separately)
- Compatible with HALO single and dual circuit track
- Adjustable stem and gimbal can spin up to 350-degrees, allowing you to aim the light where it is needed most

LISTINGS

- UL Listed for indoor/dry locations

ELECTRICAL

- Input Voltage: 120V
- Socket Type: Medium E26

CONSTRUCTION

- White finish

WARRANTY

- 3 year limited warranty; see pltsolutions.com for warranty details

APPLICATIONS

- Offices
- Lobbies
- Kitchens
- Art Galleries
- Museums

project name	type
catalog number	
comments	voltage
approved by	date

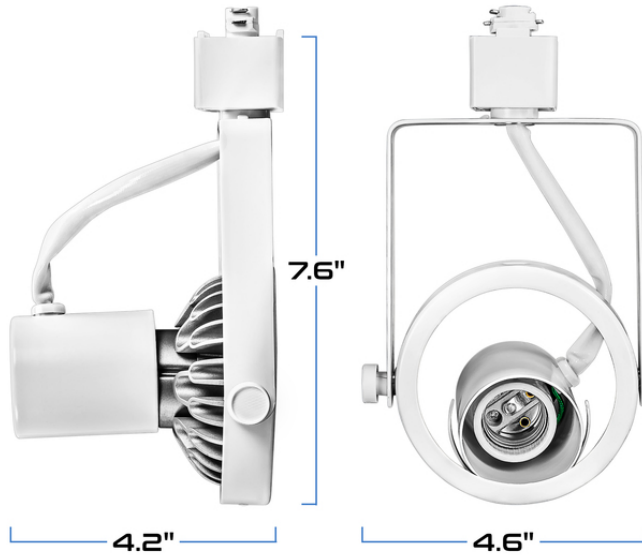


PERFORMANCE	Maximum Wattage	75 Watt
	Bulb Type	R/PAR30
	Compatibility	Halo
ELECTRICAL	Input Voltage	120V
	Socket Type	Medium E26
CONSTRUCTION	Finish	White
LISTINGS	Certifications	UL
	Environment	Indoor/Dry Locations

PERFORMANCE SUMMARY

Item #	Max Wattage	Voltage	Bulb Type	Socket Type	Compatibility	Circuit Type	Finish
PLT-10199	75W	120V	R/PAR30	Medium E26	Halo	Single/Dual	White

DIMENSIONS



DIMENSIONS

Height: 7.6"

Gimbal Diameter: 4.6"

WARNINGS

- Not for use with Juno (J-Type) or Lightolier (L-Type) track systems.