



DESCRIPTION

Providing one-for-one replacement of 250 Watt metal halide fixtures and 6 or 8 lamp fluorescent fixtures, this LED high bay features rotatable panels that allow you to direct the light output in the direction needed.

FEATURES

- Up to 133 LPW ultra-high efficiency delivers superior performance over older HID high bays
- LED panels rotate individually 135-degrees outwards
- 0-10V dimming; see Compatible Dimmers section for a full list of compatible dimmers.
- Optional motion sensor and remote control; see Accessories section for more information

LISTINGS

- UL rated for damp locations
- IP20

PERFORMANCE

- CRI: >80
- CCT: 5000K
- Rated lifetime L70: 50,000
- Philips Lumileds SMD LEDs

THERMAL

- -22°F to 122°F (-30°C to 50°C) operating temperature

ELECTRICAL

- THD: ≤20%
- Power Factor: ≥0.9
- Input Voltage: 120-277V
- Surge Protection: 6kV
- Dimmable power supply (0-10V)

INSTALLATION

- Designed for with suspended mounting with V-hooks and 3.28-foot chain included; see installation instructions for more information
- S/MH (C0/C180): 1.28
- S/MH (C90/C270): 1.28

CONSTRUCTION

- Iron housing with white finish
- PC matte lens protects LEDs while evenly distributing light

| | |
|-----------------------|----------------|
| Project name | Type |
| Catalog number | |
| Comments | Voltage |
| Approved by | Date |



WARRANTY

- 5-year limited warranty; see pltsolutions.com for warranty details

APPLICATIONS

- Warehouses
- Manufacturing Plants
- Distribution Centers
- Grocery Stores
- Gymnasiums
- Indoor Recreational Facilities
- Cold Storage
- Big Box Retail
- Service Repair Centers

PERFORMANCE SUMMARY

| Item # | Model | Watts | Lumens | LPW | CCT | CRI | Dimming | Voltage | Replaces |
|-----------|--------|-------|--------|-----|-------|-----|---------|----------|----------|
| PLT-13125 | Linear | 110W | 14,686 | 133 | 5000K | >80 | 0-10V | 120-277V | MH250 |

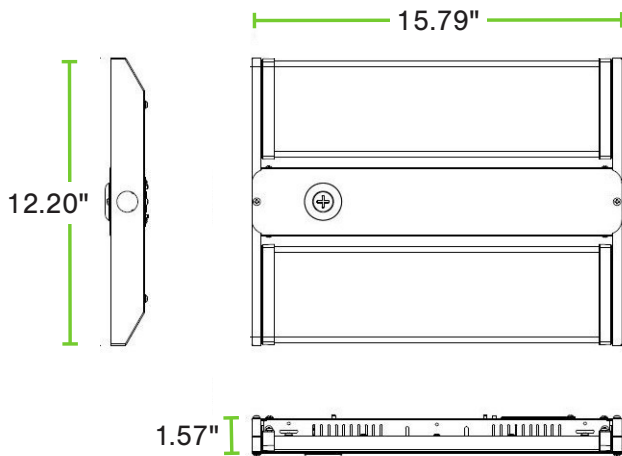
ACCESSORIES

| SKU | Description |
|------------|---|
| PLT-12844 | High Bay Occupancy Sensor and Photocell - Microwave - White - Screw-in Connector - 12 Volt |
| PLT-13121 | High Bay Occupancy Sensor and Photocell - Passive Infrared (PIR) - White - Screw-In Connector - 12 Volt |
| PLTS-12281 | Motion Sensor Remote |

COMPATIBLE DIMMERS

| Brand | Model # |
|---------|-------------------|
| LUTRON | NTSTV-DV |
| LEVITON | DS710-10Z / IP710 |
| LEGRAND | RH4FBL3PW |

DIMENSIONS



DIMENSIONS:

Length: 15.79"

Height: 1.57"

Width: 12.20"

Weight: 4.52 lb

PHOTOMETRICS

Luminous Intensity Distribution Curve

